



YARD FORCE[®]
OUTDOOR POWER EQUIPMENT

YF22-2N1

22" 2-IN-1 LAWN MOWER OPERATOR'S MANUAL



*Our Customer Service staff is ready to provide assistance.
In the case of a damaged or missing part, most replacement parts ship from our facility.*

For immediate help with assembly, or for additional product information, visit www.YardForceUSA.com or email support@MerotecUSA.com



SAVE THIS MANUAL FOR REFERENCE



*You will need this manual for safety instructions, operating procedures, and Warranty.
The original sales receipt is required for warranty service.*

YARD FORCE

YF22-2N1 Original Instructions

TABLE OF CONTENTS

Safety instructions	3
Parts list	6
Intended use	8
Technical specifications	9
Assembly	9
Operation	14
Maintenance and storage	17
Trouble shooting	21
Warranty	22

SAFETY INSTRUCTIONS

IMPORTANT

Please read these instructions fully before assembling and operating.

DESCRIPTION OF SYMBOLS

Symbols are used in this manual to attract your attention to possible risks. The safety symbols and the explanations which accompany them must be perfectly understood. The warnings themselves do not prevent the risks and cannot be a substitute for proper methods of avoiding accidents.

WARNING SYMBOLS ON THE MACHINE



WARNING! To reduce the risk of injury, user must read instruction manual.



This symbol, before a safety comment, indicates a precaution, a warning or a danger. Ignoring this warning can lead to an accident for yourself or for others. To limit the risk of injury, fire, or electrocution always apply the recommendations indicated.



Do not open or remove safety shields while engine is running.



Look behind while backing.



Steep slope hazard.



Severing of toes or fingers – Rotary mower blade.



Thrown or flying objects – Whole body exposure.



Keep bystanders away.



Wear hearing protection.



Wear eye protection.



DANGER: KEEP HANDS AND FEET AWAY.



WARNING—GASOLINE IS FLAMMABLE
Allow the engine to cool at least two minutes before refueling.



WARNING— CARBON MONOXIDE
Never run an engine indoors or in a poorly ventilated area. Engine exhaust contains carbon monoxide, an odourless and deadly gas.



WARNING— HOT SURFACE
Engine parts, especially the muffler, become extremely hot during operation. Allow engine and muffler to cool before touching.

SAFETY INSTRUCTIONS

SAFETY INSTRUCTIONS

TRAINING

1. Read the instructions carefully. Be familiar with the controls and the proper use of the equipment.
2. Never allow children or people unfamiliar with these instructions to use the lawnmower. Local regulations can restrict the age of the operator.
3. Never mow while people, especially children, or pets are nearby.
4. Keep in mind that the operator or user is responsible for accidents or hazards occurring to other people or their property.
5. Do not operate the machine while under the influence of alcohol or drugs.
6. Follow the manufacturer's recommendation for wheel weights or counterweights.
7. Stop the machine and attachment(s) if anyone enters the area.

PREPARATION

1. While mowing, always wear substantial footwear and long trousers. Do not operate the equipment when barefoot or wearing open sandals.
2. Thoroughly inspect the area where the equipment is to be used and remove all objects which can be thrown by the machine.
3. Warning - gas is highly flammable.
 - Store fuel in containers specifically designed for this purpose.
 - Refuel outdoors only and do not smoke while refueling.
 - Add fuel before starting the engine. Never remove the cap of the fuel tank or add gas while the engine is running or when the engine is hot.
 - If gas is spilled, do not attempt to start the engine but move the machine away from the area of spillage and avoid creating any source of ignition until gas vapours have dissipated.
 - Replace all fuel tank and container caps securely.
4. Replace faulty mufflers.
5. Before using, always visually inspect to see that the blades, blade bolts and cutter assembly are not worn or damaged. Replace worn or damaged blades and bolts in sets to preserve balance.
6. On multi-bladed machines, take care as rotating one blade can cause other blades to rotate.

OPERATION

1. Do not operate the engine in a confined space where dangerous carbon monoxide fumes can collect.
2. Mow only in daylight or in good artificial light.
3. Avoid operating the equipment in wet grass, where feasible.
4. Always be sure of your footing on slopes.
5. Walk, never run.
6. For wheeled rotary machines, mow across the face of slopes, never up and down.
7. Exercise extreme caution when changing direction on slopes.
8. Do not mow excessively steep slopes.
9. Use extreme caution when reversing or pulling the lawnmower towards you.
10. Stop the blade(s) if the lawnmower has to be tilted for transportation when crossing surfaces other than grass, and when transporting the lawnmower to and from the area to be mowed.
11. Never operate the lawnmower with defective guards, or without safety devices, for example deflectors and/or grass catchers, in place.
12. Do not change the engine governor settings or over speed the engine.
13. Disengage all blade and drive clutches before starting the engine.
14. Start the engine or switch on the motor carefully according to instructions and with feet well away from the blade(s).
15. Do not tilt the lawnmower when starting the engine or switching on the motor, except if the lawnmower has to be tilted for starting. In this case, do not tilt it more than absolutely necessary and lift only the part which is away from the operator.
16. Do not start the engine when standing in front of the discharge chute.

SAFETY INSTRUCTIONS

17. Do not put hands or feet near or under rotating parts. Keep clear of the discharge opening at all times.
18. Never pick up or carry a lawnmower while the engine is running.
19. Stop the engine and disconnect the spark plug wire, making sure that all moving parts have come to a complete stop, and where a key is fitted remove the key:
 - Before clearing blockages or unclogging chute.
 - Before checking, cleaning or working on the lawnmower.
 - After striking a foreign object. Inspect the lawnmower for damage and make repairs before restarting and operating the lawnmower.
 - If lawnmower starts to vibrate abnormally (check immediately).
20. Stop the engine and disconnect the spark plug wire, making sure that all moving parts have come to a complete stop, and where a key is fitted remove the key:
 - Whenever you leave the lawnmower.
 - Before refueling.
21. Reduce the throttle setting during engine shut down and, if the engine is provided with a shut-off valve, turn the fuel off at the conclusion of mowing.
22. Go slow when using a trailing seat.
23. Avoid holes, ruts, bumps, rocks, or other hidden hazards.
24. Do not direct discharge material toward anyone. Avoid discharging material against a wall or obstruction. Material may ricochet back toward the operator. Stop the blade(s) when crossing gravel surfaces.
25. Do not leave a running machine unattended. Always park on level ground, disengage the attachment, set parking brake, and stop engine.
26. Do not mow in reverse unless absolutely necessary.
27. Tragic accidents can occur if the operator is not alert to the presence of children. Children are often attracted to the machine and the mowing activity. Never assume that children will remain where you last saw them.
28. Keep children out of the operating area and under the watchful care of a responsible adult other than the operator.
29. Travel in the manufacturer recommended direction on slopes. Use caution while operating near drop-offs.
30. Poor footing could cause a slip and fall accident.
31. Do not operate machine under any condition where traction, steering, or stability is in question. Tires could slide even if the wheels are stopped.
32. Always keep the machine in gear when going down slopes. Do not coast downhill.
33. Avoid starting and stopping on slopes. Avoid making sudden changes in speed or direction. Make turns slowly and gradually.
34. Use extra care while operating machine with a grass catcher or other attachment(s). They can affect the stability of the machine.
35. Extinguish all cigarettes, cigars, pipes and other sources of ignition.
36. Do not store the machine or fuel container, or refuel, where there is an open flame, spark, or pilot light such as on a water heater or other appliance.
37. Use full width ramps for loading and unloading a machine for transport.

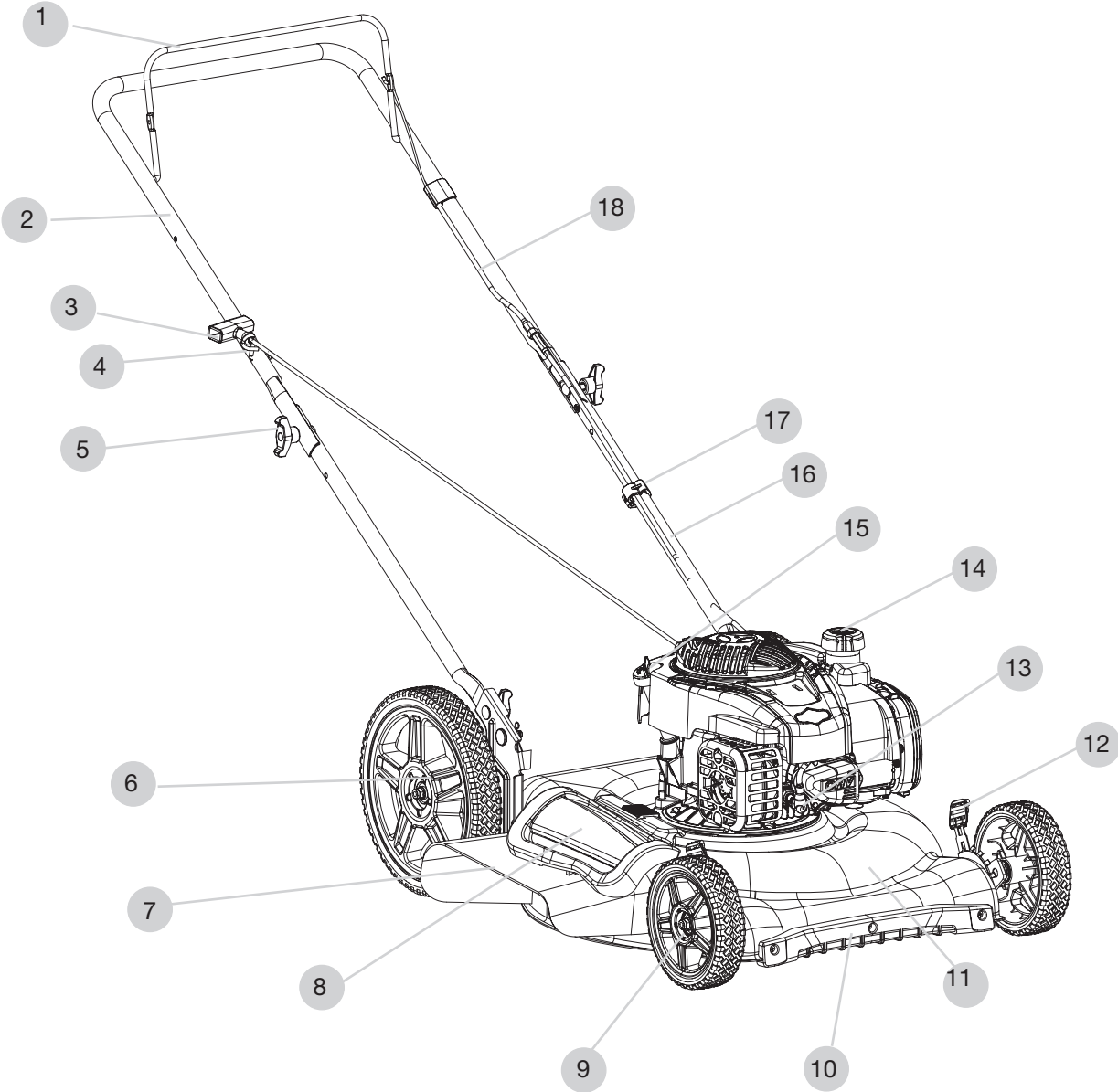
MAINTENANCE AND STORAGE

1. Keep all nuts, bolts and screws tight to be sure the equipment is in safe working condition.
2. Never store the equipment with gas in the tank inside a building where fumes can reach an open flame or spark.
3. Allow the engine to cool before storing in any enclosure.
4. To reduce the fire hazard, keep the engine, muffler, battery compartment and gas storage area free of grass, leaves, or excessive grease.
5. Check the grass catcher frequently for wear or deterioration.
6. Replace worn or damaged parts for safety.
7. If the fuel tank has to be drained, this should be done outdoors.

PARTS LIST

KNOW YOUR LAWN MOWER

Fig. 1



PARTS LIST

1. Engine On/Off Control Bar
2. Upper handle
3. Recoil starter
4. Rope guide
5. Handle knob and bolt
6. Rear wheel
7. Side discharge chute
8. Side discharge cover
9. Front wheel
10. Front bumper
11. Cutting deck
12. Height adjustment lever - 1 per wheel
13. Spark plug cover
14. Gas filler cap
15. Oil filler dipstick
16. Lower handle
17. Cord clip
18. Bowden cable

PARTS LIST

Carefully remove the lawn mower from its packaging and check that the following parts are included:

- A. Main mower deck (with upper and lower handle) 1 pc
- B. Side discharge chute 1 pc
- C. Manual 1 pc
- D. Engine Oil (SAE 30 15 o.z.) 1 pc
- E. Cord clip 1 pc
- F. Handle knob and bolt 4 pcs

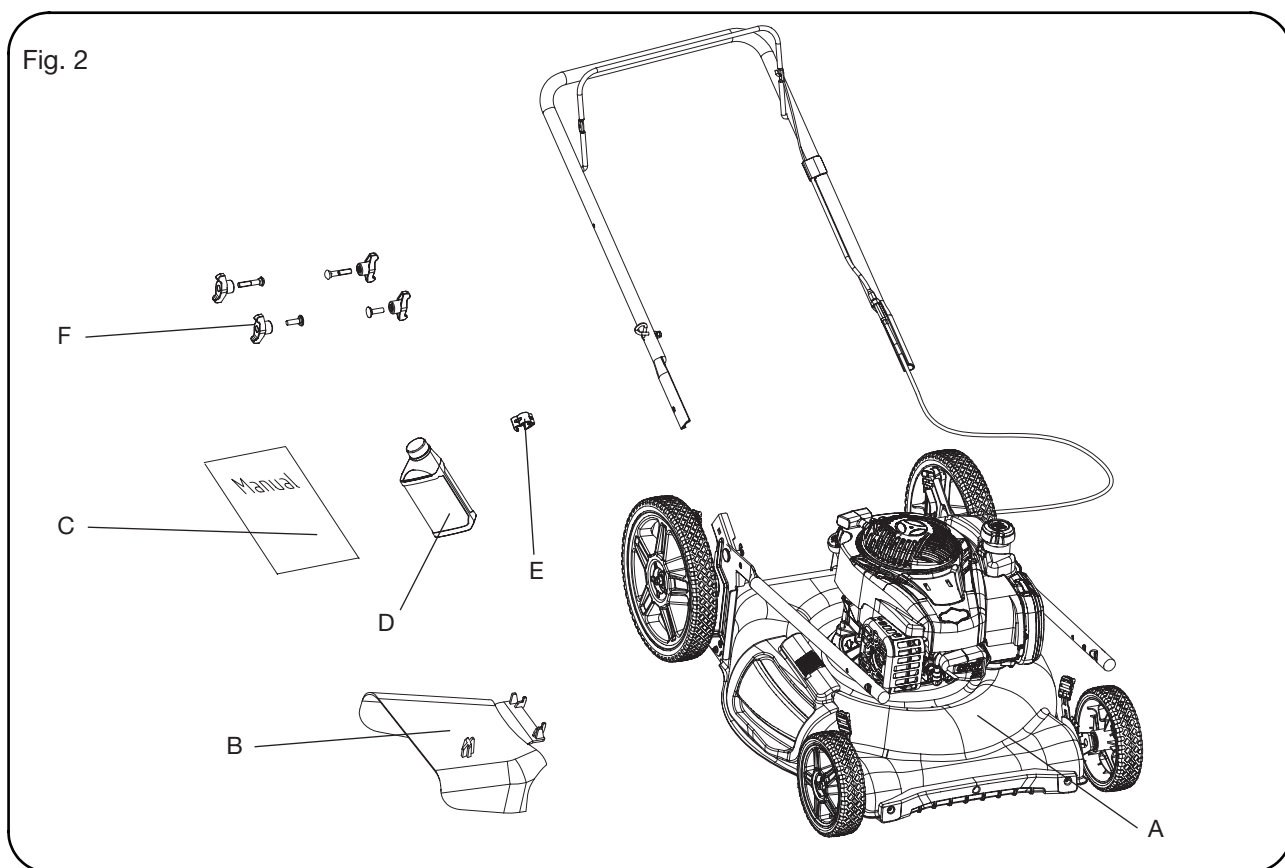


WARNING!

If any parts are damaged or missing, do not operate this lawn mower until the missing parts are replaced.

Failure to heed this warning could result in serious personal injury.

PARTS LIST



NOTE:

Always recycle the packaging in accordance with local recycling programs.



WARNING!

This item requires a two-person lift to remove from the packaging. Make sure that you have sufficient space to put the lawn mower down. Keep your feet apart so that you have a stable position, bend at the knees and keep your back straight.

INTENDED USE

This gas-powered lawn mower has been designed for cutting residential lawn areas.

The machine is to be used only for its prescribed purpose. Any other use is deemed to be a case of misuse. The user/operator and not the manufacturer will be liable for any damage or injuries of any kind caused as a result of this.

Please note that our equipment has not been designed for use in commercial, trade or industrial applications. Our warranty will be voided if the machine is used in commercial, trade or industrial businesses or for equivalent purposes.

TECHNICAL SPECIFICATIONS

TECHNICAL SPECIFICATIONS

Engine type	Single cylinder 4-stroke
Engine displacement	140cc
Engine speed	3100±100 RPM
Cutting path	21" (53 cm)
Height adjustments	1.25 " ~ 3.75", 5 positions
Front wheel diameter	7" (178mm)
Rear wheel diameter	11"(280mm)
Ignition	TCI

ASSEMBLY



CAUTION! Read complete INSTRUCTION MANUAL before operating this machine.
IMPORTANT! THIS LAWN MOWER IS SHIPPED WITHOUT OIL OR GASOLINE IN THE ENGINE.

Your new lawn mower has been assembled at the factory with the exception of those parts left disassembled for shipping purposes. All parts, such as nuts, washers, bolts, etc., necessary to complete the assembly have been placed in the parts bag. To ensure safe and proper operation of your lawn mower, all parts and hardware you assemble must be tightened securely. Use the correct tools as necessary to ensure proper tightness.

TO REMOVE LAWN MOWER FROM CARTON

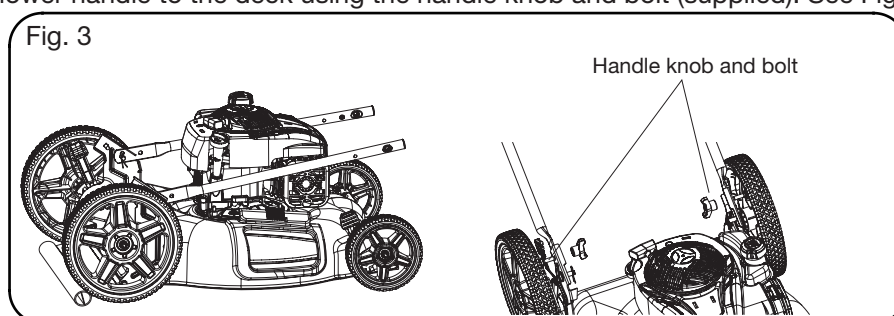
1. Remove loose parts included with mower.
2. Cut down two end corners of carton and lay end panel down flat.
3. Remove all packing materials except padding between upper and lower handle and padding holding control bars to upper handle.
4. Roll lawn mower out of carton and check carton thoroughly for additional loose parts.

ASSEMBLING THE HANDLE



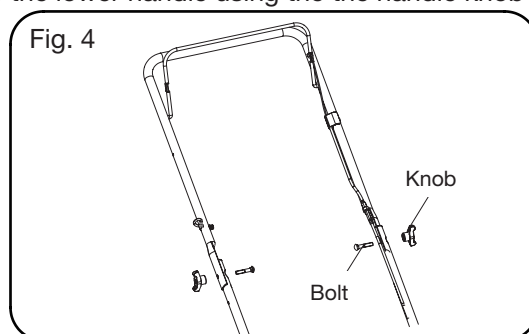
IMPORTANT: Unfold handle carefully to avoid pinching or damaging the control cable.

1. Lift the rear of the deck and place it on a block of wood (not supplied) to secure it.
2. Place the lower handle over the deck and align the holes on the deck with the corresponding holes on the handle.
3. Secure the lower handle to the deck using the handle knob and bolt (supplied). See Fig. 3.



ASSEMBLY

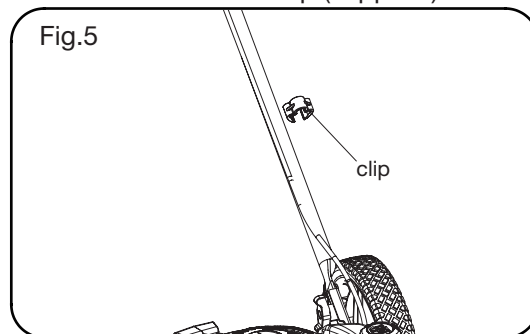
4. Place the upper handle in position over the lower handle, keeping the engine on/off control bar facing up.
5. Secure the upper handle to the lower handle using the the handle knob and bolt (supplied) see Fig. 4.



TYING DOWN THE BOWDEN CABLE

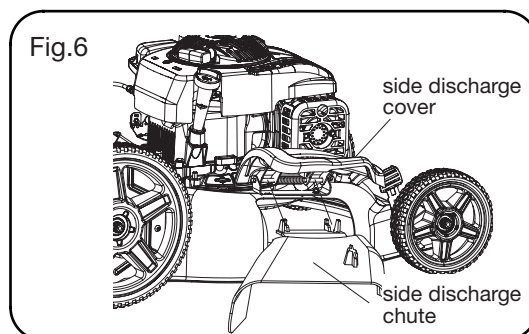
As shown in Fig. 5

Attach the bowden cable to the handle with the cord clip (supplied).



INSTALLING THE SIDE DISCHARGE CHUTE

As shown in Fig. 6



1. Lift the side discharge cover with one hand and hook in the side discharge chute with the other hand.
2. Release the side discharge cover to secure the chute in position.

ASSEMBLY

CHECKING AND FILLING ENGINE OIL

As shown in Figs. 7 to 8



CAUTION! The following procedures and adjustments must be performed before the engine is started.

Do not attempt to make any of these adjustments while the engine is running.



CAUTION! To prevent engine damage, the engine is shipped without oil or gas.

The engine must be filled with the correct grade of oil and gas before starting the engine.



NOTE! Running the engine with a low oil level will cause engine damage. It is recommend that high-detergent, premium-quality 4-stroke engine oil used. Using non-detergent oil can shorten the engine's service life, and using 2-stroke oil will damage the engine.



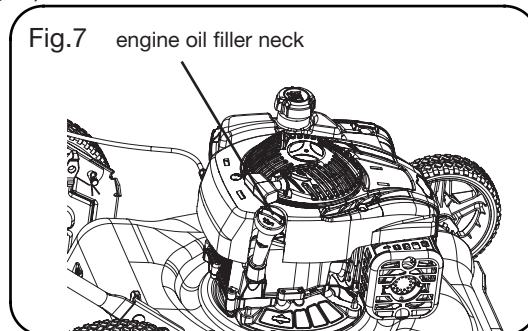
CAUTION! Always use high-quality detergent oil classified SAE30 oil (or equivalent, such as SAE 5W-30, often called 4-stroke lawn mower oil).

Never use additives with recommended oil.

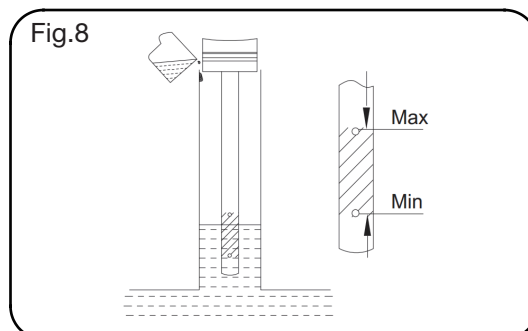


NOTE: To check the engine oil level, stop engine and place the mower on a level surface.

1. Remove the oil filler dipstick and wipe oil from it with a clean cloth. Insert the dipstick into the oil filler neck, and tighten it. (see Fig. 7).



2. Remove the dipstick and check the oil level: the oil level must be between the Min and Max marks on the dipstick. If near the lower level, fill to upper lever with the recommended oil (SAE30 or equivalent). Do not overfill. Wipe away any spilled oil align the ribs of the cap with the groove of the filler neck, then rotate to secure it (see Fig. 8).



ASSEMBLY

FILLING WITH ENGINE FUEL

As shown in Fig. 9



CAUTION! Always use clean, fresh unleaded gas. Purchase fuel in quantities that can be used within 30 days. Never mix oil with gas.



CAUTION! Do not fill into the base of neck to allow for fuel expansion. Do not overfill the fuel tank.



CAUTION! WARNING! Gas is highly flammable and extreme caution must be taken when handling or working with it. Keep out of reach of children.



CAUTION! To prevent engine damage the engine is shipped without oil or gas. The engine must be filled with the correct grade of oil and gas before starting the engine.

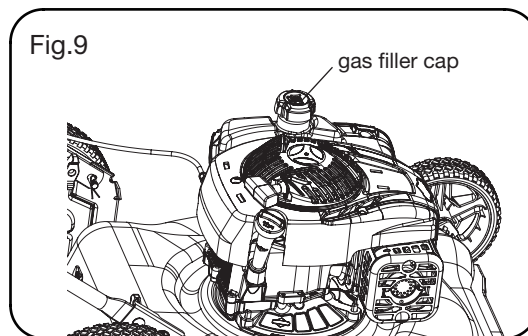


WARNING! Refuel in a well-ventilated area with the engine stopped. Do not smoke or allow flame or sparks in the area where the engine is refueled or where gas is stored. Avoid repeated or prolonged contact with skin or inhalation of vapour.

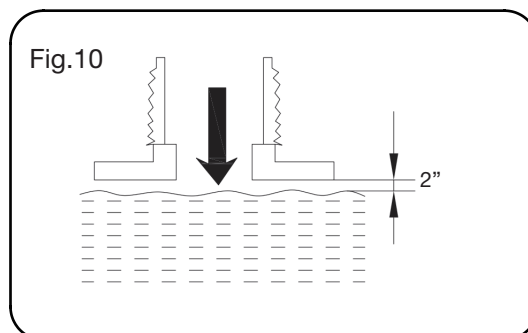


WARNING! Gasoline with up to 10% ethanol (gasohol) is acceptable. Do not use unapproved gasoline, such as E15 and E85.

1. Clean the area around the gas filler cap before removing the cap. Remove the warning tag, and check the fuel level (see Fig. 9).



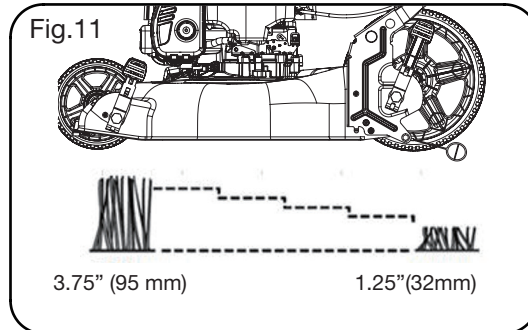
2. Refill the tank if the fuel level is low.
3. Refuel carefully to avoid overfilling or spilling fuel. To allow expansion of the fuel, don't fill above the bottom of the filler neck (see Fig.10). There should be no fuel in the filler neck.
4. Clean up any overflow or splashes of gas before starting the engine.
5. Tighten the filler cap after filling: finger tight only.



ASSEMBLY

SETTING THE CUTTING HEIGHT

As shown in Fig. 11



CAUTION! Adjust the cutting height only when the engine is not running.

NOTE: For shipping purposes the height adjustment position may not be adjusted to the cutting position. Before operating the mower adjust cutting height to the normal cutting position.

Adjust the cutting height to suit your requirements. The middle position is suitable for most lawns. Raise the wheels for low cut and lower the wheels for a high cut.

The cutting height is adjusted by individual wheel. To change the cutting height, squeeze the height adjustment lever toward the wheel.

Move the wheel up or down to the desired position and release the lever to lock the wheel in position. Be sure all the wheels are at the same height.

From position 1 to position 5, the cutting heights range from 1.25" to 3.75" (32-95mm).

SETTING REQUIRED FUNCTION



NOTE: This lawn mower has two functions. Change functions by changing the installed accessories as shown in the following chart.

To convert mower	Side Discharge Chute
For mulching	x
For side discharging	✓

“✓”: installed “x”: removed

OPERATION

START AND STOP THE ENGINE



WARNING: the blade begins to rotate as soon as the engine is started.



NOTE: Do not operate the lawn mower in enclosed or poorly-ventilated areas as the exhaust gas contains toxic substances.

Keep hands, feet, hair and clothing away from the moving parts of the machine. The exhaust and other parts of the machine will become hot during use.

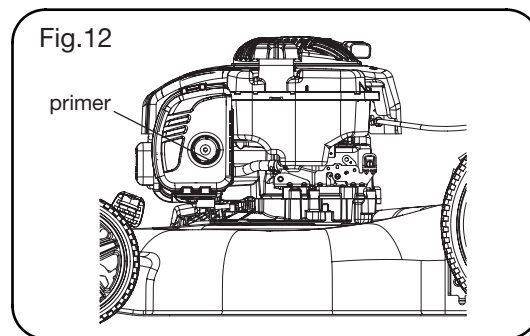
Make sure that the blade is securely fastened before starting the engine.



NOTE: to start the engine, make sure that the spark plug cover is connected to the plug and the machine is filled with sufficient oil and gas.

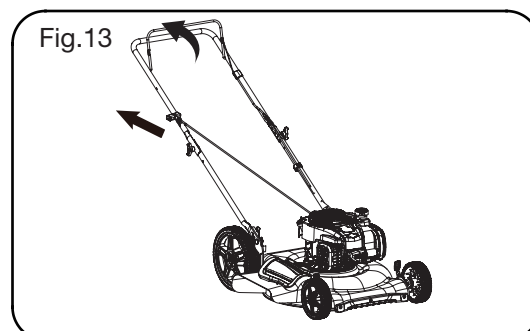
TO START THE ENGINE

1. When starting a cold engine, press down the primer fully 3-5 times (see Fig. 12).



WARNING! Too many presses on primer may cause engine flooding. When starting a warm engine, the primer does not need to be used. If the engine stops due to a lack of gas, refill then press the primer 3-5 times.

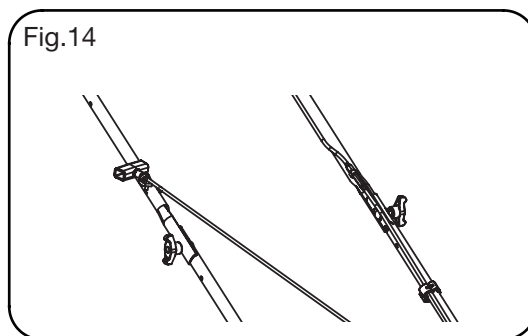
2. Stand behind the mower. Pull the Engine On/Off Control Bar toward upper handle with one hand and place the other hand on the starter handle.
3. Pull the starter handle out approximately 4" to 6" (10 to 15 cm) until you feel a resistance and then start the engine with a sharp pull (see Fig. 13).



NOTE: If the engine fails to start after three pulls, repeat the process.

OPERATION

- Once the engine is running, put the starter rope into the rope guide (see Fig. 14).



TO STOP THE ENGINE

As shown in Fig. 15

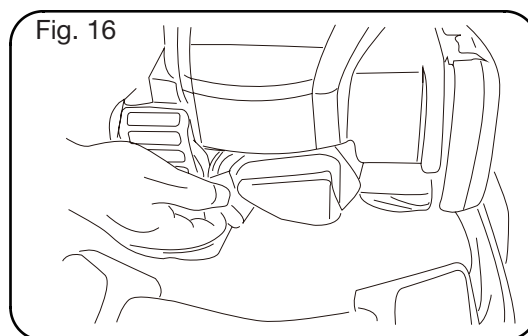


Release the Engine On/Off Control Bar. It will return to its initial position and the engine will automatically switch off.

TO CLEAN A FLOODED ENGINE

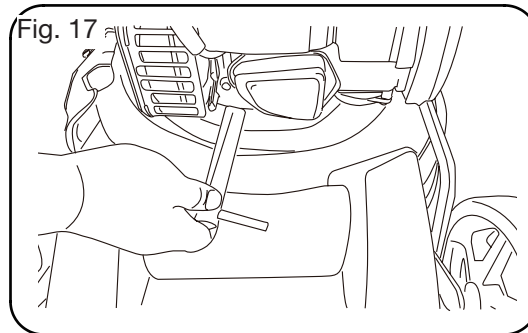
! **NOTE:** If the engine won't start after you have pulled the engine start rope several times, the engine may be flooded with excess fuel. Use following procedure to clear and start a flooded engine.

- Release the Engine On/Off Control Bar to stop engine.
- Remove the spark plug, dry it, and then re-install it.
 - Remove the spark plug cover (see Fig. 16).



OPERATION

- (2) Use the spark plug socket wrench (not supplied) to remove the spark plug (see Fig. 17).



- (3) After drying, tighten the spark plug.



NOTE: Install the spark plug carefully by hand to avoid cross-threading. After the plug is seated, tighten 1/8 to 1/4 turn with the spark plug socket wrench to compress the washer.

3. Pull the Engine On/Off Control Bar toward upper handle.
4. Operate the starter as described above.

MOWING



WARNING: Always observe the strictest safety procedures when using the lawn mower. Carefully read the safety instructions of this manual before using the lawn mower.



WARNING: Never open the rear chute flap when the grass bag has been detached (to be emptied) and the engine is still running. The rotating blade can cause serious injuries!

1. Select your required height and function settings.
2. Start the engine and allow it run.
See "To start the engine".
3. Keep a firm grip on the upper handle with engine on/off control bar and push forward to start mowing.

WORKING TIPS

1. Walk, never run with the mower, and be very careful when mowing uneven or rough ground.
2. Mow across slopes, never up and down.
3. Be careful when changing the direction of the mower on a slope.
4. Do not mow excessively steep slopes.
5. The best result will be achieved if the grass is dry. Wet grass will tend to clog the blade.
6. Grass grows at different rates at different time of the year. Never use the lowest cutting height for the first cut of the season or in drought conditions.
7. Only about one third of the grass height should be cut.
8. Do not cut high or wet grass when mulching to ensure that the cut grass can be scattered effectively. When you have been cutting for several minutes, please stop the mower and clean the blade and the deck.
9. Do not remove grass debris in the mower casing or on the blade by hand or with your feet. Instead, use suitable tools such as a brush or broom.

MAINTENANCE AND STORAGE



WARNING: Before performing any maintenance or cleaning work, switch off the engine and wait until the blade has come to a stop.

CLEANING

GENERAL CLEANING

The lawn mower should be cleaned thoroughly every time after it has been used. Always clean your lawn mower immediately after use.

Do not allow grass cuttings and other debris to become dry and hard on any of the mower surfaces. Dried grass remnants and dirt may impair the mowing operation.

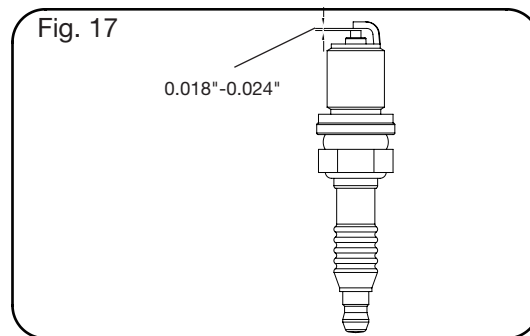
Check that the grass chute is free of any residual grass. Remove any such residue. Check the underside of the lawn mower and the blade mount. When checking, tilt the lawn mower onto its left side (opposite the oil filler neck).



NOTE: Before placing the lawn mower on its side, fully drain the fuel tank using a gas extraction pump. Do not tilt the lawn mower by more than 90 degrees.

MAINTENANCE OF THE SPARK PLUG

As shown in Fig. 17

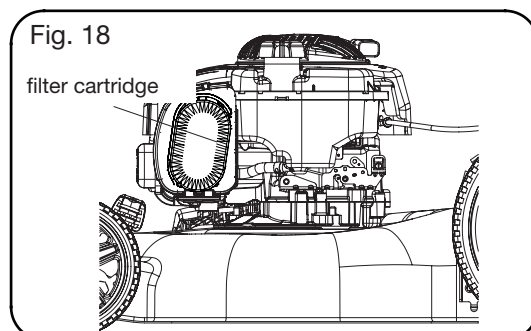


1. Once the engine has cooled, pull off the spark cover with a twist.
2. Remove the spark plug using a spark plug wrench (not supplied).
3. Clean the spark plug with a wire brush (not supplied).
4. Using a feeler gauge, set the gap to 0.018"-0.024" (0.46mm-0.61mm).
5. Install the spark plug carefully by hand to avoid cross-threading.
6. After the spark plug is seated, tighten with the spark plug wrench to compress the washer.

MAINTENANCE AND STORAGE

MAINTENANCE OF THE AIR FILTER

As shown in Fig. 18



Soiled air filters reduce the engine output by restricting air to the carburetor. If the air contains a lot of dust, the air filter should be checked more frequently.



WARNING! Never run the engine without the air filter element installed.

1. Press tabs at the top of the air filter cover and tilt away from the engine to remove the cover.
2. Remove the filter cartridge.
3. To loosen debris, gently tap the filter cartridge on a hard surface. If the filter cartridge is excessively dirty, replace with a new one.



Note: Never clean the air filter cartridge with gas or inflammable solvents. Clean the air filter cartridge only with compressed air or by tapping it.

4. Install the filter cartridge.
5. Close the cover and secure it properly by snapping tabs back into the correct slots at the top.

CHECK AND ADD THE ENGINE OIL

The oil needs to be changed after first 5 hours. Before each use check the oil level and add additional oil if the level is not within the Min - Max levels.

REPLACING THE BLADE

For safety reasons you should only ever have your blade sharpened, balanced and mounted by an authorized service workshop. For optimum results, it is recommended that the blade be inspected once a year.



WARNING! Before you remove the grass collection bag, stop the engine and wait until the blade stops completely.



WARNING! You will need garden gloves (not provided) and a wrench (not provided) to remove the blade.



NOTE! Don't invert the mower. Tip it slightly towards the oil filler pipe and reach under the deck.

MAINTENANCE AND STORAGE



WARNING! Always handle the blade with care; sharp edges could cause injury. USE GLOVES. Replace your metal blade after 50 hours mowing or 2 years, whichever is sooner, regardless of condition.



WARNING! If the blade is cracked or damaged, replace it with a new one.



WARNING! Don't hold the blade by hand directly.

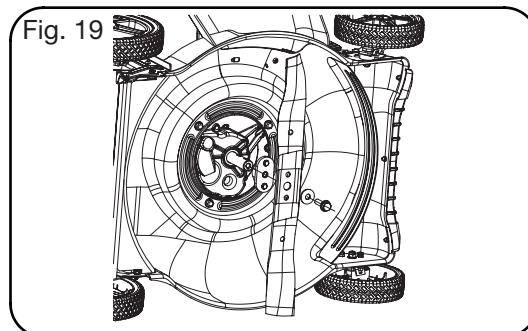


NOTE! Maintain the sharpness of the blade when cutting grass. If the blade has worn excessively and become pitted and blunt, it should be replaced or sharpened. The sharpness of the blade will affect the performance of the lawn mower.

For safety reasons we recommend that the blade only be changed by someone qualified and authorized to do so.

Hold the blade and unscrew the blade bolt counter-clockwise using a wrench. Remove the washer and the blade.

Fit a new blade or re-sharpen the blade. Place the blade on the two studs on the blade flange with angled ends pointing up in the direction of the engine and then replace the washer and bolts. Make sure the blade is correctly located, and then firmly tighten the bolt with a torque of 33-44 ft lbs(45-60 Nm). Do not over tighten. The up turn of the blade must project into the motor compartment.



STORING THE LAWN MOWER FOR SHORT PERIODS

The lawn mower can be stored for short periods of time (less than 15 days) without performing any storage maintenance. Before placing the lawn mower into storage always do the following:

1. Allow the engine to fully cool.
2. Ensure the grass bag is empty.
3. Clean all debris from under the mower deck.
4. Store the lawn mower on a flat and level surface with the mower upright.
5. Store in a safe place which is not accessible by children or people who are not familiar with the lawn mower's operation.

STORING THE LAWN MOWER FOR EXTENDED PERIODS

If the lawn mower is to be placed into storage for more than 15 days, storage maintenance must be performed on the lawn mower. If the following steps are not carried out, when you next operate the lawnmower it may not start correctly and may need to be serviced.

MAINTENANCE AND STORAGE



CAUTION! Do not empty the gas tank in enclosed areas, near fire or when smoking. Gas fumes can cause explosions and fire.

1. Empty the gas tank with a gas suction pump if available.
2. Start the engine and let it run until any remaining gas has been used up.
3. Clean the cooling fins of the cylinder and the housing.
4. Be sure to clean the entire machine to protect the paint.
5. Store the machine in a well-ventilated place.

MAINTENANCE SCHEDULE

Performing routine maintenance correctly on your lawn mower will ensure you get years of trouble-free use. Please keep this manual safe for future reference.

It is recommended that the following maintenance schedule is adhered to. This will ensure the lawn mower operates correctly and is safe to use. Change engine oil after first 5 hours.

	12 hours of use	24 hours of use	36 hours of use
Air filter	Clean	Clean	Clean
Spark plug	Check	Clean	Clean
Engine oil	Check	Check	Check

TRANSPORTING THE LAWN MOWER

Empty the gas tank. Always let the engine run until it has used up the remainder of gas in the tank. Empty the engine oil from the warm engine. Remove the spark plug cover from the spark plug. Clean the cooling fins of the cylinder and the housing. Use the original packaging to ship whenever possible.

TROUBLE SHOOTING



WARNING: Before performing any maintenance or cleaning work, switch off the engine and wait until the blade has come to a stop.



Caution!

Improper repairs can result in the product functioning unsafely. This endangers yourself and your environment.

Faults which cannot be rectified with the aid of following table may require service by an authorized Yard Force or Briggs & Stratton repair center.

Please be aware that any improper repairs will also invalidate the warranty and additional costs may be incurred.

Use only genuine spare parts. Only these spare parts are designed and suitable for this lawn mower. The use of other spare parts not only voids the warranty, you can also endanger yourself and your environment.

Fault/malfunction	Cause	Remedy
Loud while running; machine vibrates heavily.	Screws are loose. Blade fasteners are loose. Blade is unbalanced.	Tighten screws. Tighten blade fasteners. Replace blade.
Engine does not start.	Engine on/off control bar not pressed. Spark plug is defective. Cutting blade is worn or damaged. Fuel tank is empty. Engine may be flooded.	Press engine on/off control bar. Replace spark plug. Replace it through the customer service centre. Refill with fuel. Remove plug and dry.
Engine runs unsteadily.	Air filter is soiled. Spark plug is soiled.	Clean the air filter. Clean the spark plug.
Uneven mowing results.	Blade is blunt. Cutting height is too low.	Sharpen the blade. Set correct height.

WARRANTY

YARD FORCE TWO YEAR LIMITED WARRANTY

Product Warranty

Please keep your original purchase receipt in a safe place as proof of purchase. Warranty coverage for this product must be verified by the original purchase receipt. The warranty period begins on the day that the product was purchased from an authorized retailer of Yard Force products. Warranty coverage only applies to the original purchaser and is not transferable. Warranty coverage is only provided on products purchased and used in the USA and Puerto Rico from authorized Yard Force retailers. Products purchased or used outside of the USA and Puerto Rico are not covered by this warranty.

(2) Two-Year Warranty – Engine

The YF22-2N1 has a 2-Year Limited Warranty from the date of purchase against manufacturer defects for residential use only. Commercial use voids the warranty. This warranty does not cover accidental damage, unreasonable use, normal wear and tear, neglect or non-compliance with the Operating, Safety and Maintenance Instructions. All service, outside of normal maintenance as described in this manual, must be done by an authorized service technician. Any unauthorized service or changes to the original configuration of this product will void the warranty. All parts and accessories used on and with this product must be manufacturer/or and authorized by Merotec Inc.

(90) Ninety-Day Warranty – Accessories

The accessories included with the YF22-2N1; like the blade, and other similar parts are warranted against manufacturer defects for residential use only for a period of 90 days from date of purchase.

Warranty does not cover loss of use or other consequential damages arising from any of the above, nor does it cover repairs made or attempted by unauthorized persons. This warranty is void if the product is used for commercial, rental or industrial purposes. Certain parts, attachments and accessories are subject to normal wear and tear and are excluded from the warranty.

Service and Warranty Claims Process

Contact the Yard Force Support Center toll-free at **(866) 902-9690 Monday-Friday between 8:30 AM and 5:00 PM Eastern Time** for service and warranty support.

Yard Force USA Service Support agents can help you troubleshoot problems over the phone to get you back up and running as quickly as possible. In the situation where service or warranty inspection is needed, please follow these steps:

1. Contact Yard Force USA at **(866) 902-9690 or support@merotecusa.com Monday-Friday between 8:30 AM and 5:00 PM Eastern Time.**
2. Send in proof-of-purchase and serial number (if applicable) to confirm warranty coverage.
3. If service or a warranty evaluation is requested, Yard Force USA will provide an RGA number that should be used in all communications with Yard Force USA and if necessary a list of local authorized service centers to bring your lawn mower to for evaluation and repair.
4. All shipments to Yard Force USA must have an RGA number. Any shipment received that does not have an RGA number clearly marked on the outside of the box will be refused.
5. All shipments must be sent pre-paid, Yard Force USA does not pay for any shipping costs for service or warranty evaluation. Yard Force USA is not responsible for any packages that are lost by carrier. We recommend that shipments are made by a carrier that provides tracking and delivery confirmation.

For more information or to ask questions, please call toll-free **(866) 902-9690 or support@merotecusa.com Monday-Friday between 8:30 AM and 5:00 PM Eastern Time.**

SAVE THESE INSTRUCTIONS



1-866-902-9690



www.YardForceUSA.com

Need Help?

Please do not return the product to the place of purchase yet. We're here to help and take care of all your needs.

Contact our customer service department for help with:

- Product assembly or use
- Missing or damaged parts
- Troubleshooting

You can also visit our website for typical FAQ's, downloadable troubleshooting steps and instructional videos. Replacement parts and accessories can be purchased at www.YardForceUSA.com, or call our toll free hotline: 1-866-902-9690 M-F 8:30am – 5:00pm ET

Merotec Inc.

3655 Kennesaw North Industrial Parkway
Kennesaw, GA 30144
Copyright © 2019 Merotec Inc.

Made in China at a SUMEC manufacturing facility.