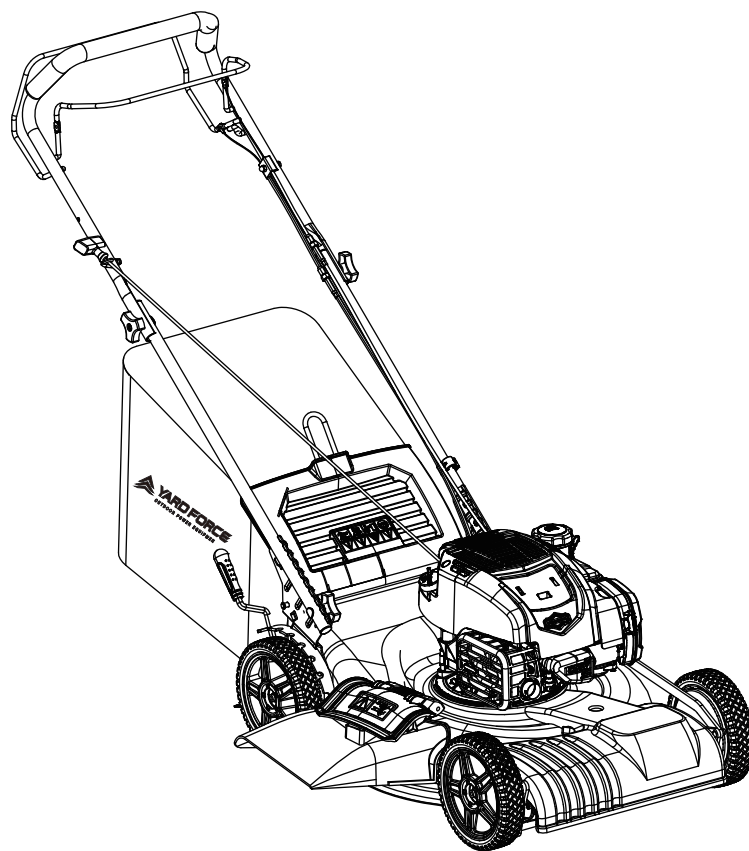




YARD FORCE[®]
OUTDOOR POWER EQUIPMENT

YF22-3N1SPF

22" 3-IN-1 SELF PROPELLED LAWN MOWER OPERATOR'S MANUAL



*Our Customer Service staff is ready to provide assistance.
In the case of a damaged or missing part, most replacement parts ship from our facility.*

For immediate help with assembly, or for additional product information, visit www.YardForceUSA.com or email support@MerotecUSA.com



SAVE THIS MANUAL FOR REFERENCE



*You will need this manual for safety instructions, operating procedures, and Warranty.
The original sales receipt is required for warranty service.*

YARD FORCE

YF22-3N1SPF Original Instructions

TABLE OF CONTENTS

Safety instructions	3
Parts list	6
Intended use	8
Technical specifications	9
Assembly	9
Operation	15
Maintenance and storage	19
Trouble shooting	23
Warranty	24

SAFETY INSTRUCTIONS

IMPORTANT

Please read these instructions fully before assembling and operating.

DESCRIPTION OF SYMBOLS

Symbols are used in this manual to attract your attention to possible risks. The safety symbols and the explanations which accompany them must be perfectly understood. The warnings themselves do not prevent the risks and cannot be a substitute for proper methods of avoiding accidents.

WARNING SYMBOLS ON THE MACHINE



WARNING! To reduce the risk of injury, user must read instruction manual.



This symbol, before a safety comment, indicates a precaution, a warning or a danger. Ignoring this warning can lead to an accident for yourself or for others. To limit the risk of injury, fire, or electrocution always apply the recommendations indicated.



DANGER - ROTATING BLADES

Never operate the machine without proper guards, plates, or other safety protective devices place.



DANGER - BYSTANDERS

Do not mow when children or others are around.



Look down and behind before and while backing.



DANGER - SLOPES

Use extra caution on slopes. Do not mow slopes greater than 15°.



DANGER - HAND/FOOT CUT

Keep hands and feet away from rotating parts.



DANGER - THROWN DEBRIS

Remove objects that can be thrown by the blade in any direction. Wear safety glasses.



Wear hearing protection.



Wear eye protection.



DANGER: KEEP HANDS AND FEET AWAY.



WARNING—GASOLINE IS FLAMMABLE

Allow the engine to cool at least two minutes before refueling.



WARNING— CARBON MONOXIDE

Never run an engine indoors or in a poorly ventilated area. Engine exhaust contains carbon monoxide, an odourless and deadly gas.



WARNING— HOT SURFACE

Engine parts, especially the muffler, become extremely hot during operation. Allow engine and muffler to cool before touching.

SAFETY INSTRUCTIONS

SAFETY INSTRUCTIONS

TRAINING

1. Read the instructions carefully. Be familiar with the controls and the proper use of the equipment.
2. Never allow children or people unfamiliar with these instructions to use the lawnmower. Local regulations can restrict the age of the operator.
3. Never mow while people, especially children, or pets are nearby.
4. Keep in mind that the operator or user is responsible for accidents or hazards occurring to other people or their property.
5. Do not operate the machine while under the influence of alcohol or drugs.
6. Follow the manufacturer's recommendation for wheel weights or counterweights.
7. Stop the machine and attachment(s) if anyone enters the area.

PREPARATION

1. While mowing, always wear substantial footwear and long trousers. Do not operate the equipment when barefoot or wearing open sandals.
2. Thoroughly inspect the area where the equipment is to be used and remove all objects which can be thrown by the machine.
3. Warning - gas is highly flammable.
 - Store fuel in containers specifically designed for this purpose.
 - Refuel outdoors only and do not smoke while refueling.
 - Add fuel before starting the engine. Never remove the cap of the fuel tank or add gas while the engine is running or when the engine is hot.
 - If gas is spilled, do not attempt to start the engine but move the machine away from the area of spillage and avoid creating any source of ignition until gas vapours have dissipated.
 - Replace all fuel tank and container caps securely.
4. Replace faulty mufflers.
5. Before using, always visually inspect to see that the blades, blade bolts and cutter assembly are not worn or damaged. Replace worn or damaged blades and bolts in sets to preserve balance.
6. On multi-bladed machines, take care as rotating one blade can cause other blades to rotate.

OPERATION

1. Do not operate the engine in a confined space where dangerous carbon monoxide fumes can collect.
2. Mow only in daylight or in good artificial light.
3. Avoid operating the equipment in wet grass, where feasible.
4. Always be sure of your footing on slopes.
5. Walk, never run.
6. For wheeled rotary machines, mow across the face of slopes, never up and down.
7. Exercise extreme caution when changing direction on slopes.
8. Do not mow excessively steep slopes.
9. Use extreme caution when reversing or pulling the lawnmower towards you.
10. Stop the blade(s) if the lawnmower has to be tilted for transportation when crossing surfaces other than grass, and when transporting the lawnmower to and from the area to be mowed.
11. Never operate the lawnmower with defective guards, or without safety devices, for example deflectors and/or grass catchers, in place.
12. Do not change the engine governor settings or over speed the engine.
13. Disengage all blade and drive clutches before starting the engine.
14. Start the engine or switch on the motor carefully according to instructions and with feet well away from the blade(s).
15. Do not tilt the lawnmower when starting the engine or switching on the motor, except if the lawnmower has to be tilted for starting. In this case, do not tilt it more than absolutely necessary and lift only the part which is away from the operator.
16. Do not start the engine when standing in front of the discharge chute.

SAFETY INSTRUCTIONS

17. Do not put hands or feet near or under rotating parts. Keep clear of the discharge opening at all times.
18. Never pick up or carry a lawnmower while the engine is running.
19. Stop the engine and disconnect the spark plug wire, making sure that all moving parts have come to a complete stop, and where a key is fitted remove the key:
 - Before clearing blockages or unclogging chute.
 - Before checking, cleaning or working on the lawnmower.
 - After striking a foreign object. Inspect the lawnmower for damage and make repairs before restarting and operating the lawnmower.
 - If lawnmower starts to vibrate abnormally (check immediately).
20. Stop the engine and disconnect the spark plug wire, making sure that all moving parts have come to a complete stop, and where a key is fitted remove the key:
 - Whenever you leave the lawnmower.
 - Before refueling.
21. Reduce the throttle setting during engine shut down and, if the engine is provided with a shut-off valve, turn the fuel off at the conclusion of mowing.
22. Avoid holes, ruts, bumps, rocks, or other hidden hazards.
23. Do not direct discharge material toward anyone. Avoid discharging material against a wall or obstruction. Material may ricochet back toward the operator. Stop the blade(s) when crossing gravel surfaces.
24. Do not leave a running machine unattended. Always park on level ground, disengage the attachment, set parking brake, and stop engine.
25. Do not mow in reverse unless absolutely necessary.
26. Tragic accidents can occur if the operator is not alert to the presence of children. Children are often attracted to the machine and the mowing activity. Never assume that children will remain where you last saw them.
27. Keep children out of the operating area and under the watchful care of a responsible adult other than the operator.
28. Travel in the manufacturer recommended direction on slopes. Use caution while operating near drop-offs.
29. Poor footing could cause a slip and fall accident.
30. Do not operate machine under any condition where traction, steering, or stability is in question. Tires could slide even if the wheels are stopped.
31. Always keep the machine in gear when going down slopes. Do not coast downhill.
32. Avoid starting and stopping on slopes. Avoid making sudden changes in speed or direction. Make turns slowly and gradually.
33. Use extra care while operating machine with a grass catcher or other attachment(s). They can affect the stability of the machine.
34. Extinguish all cigarettes, cigars, pipes and other sources of ignition.
35. Do not store the machine or fuelcontainer, or refuel, where there is an open flame, spark, or pilot light such as on a water heater or other appliance.
36. Use full width ramps for loading and unloading a machine for transport.

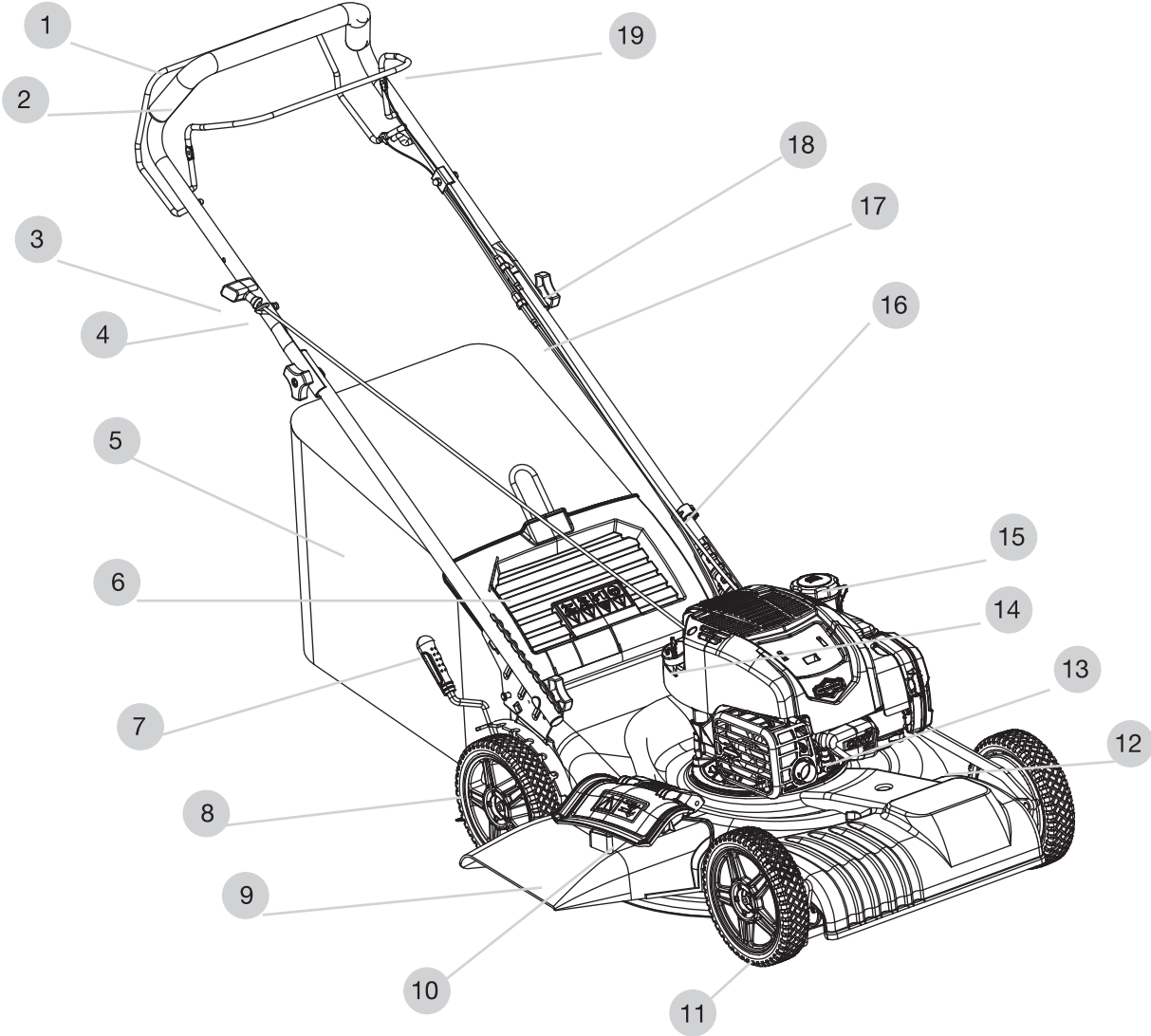
MAINTENANCE AND STORAGE

1. Keep all nuts, bolts and screws tight to be sure the equipment is in safe working condition.
2. Never store the equipment with gas in the tank inside a building where fumes can reach an open flame or spark.
3. Allow the engine to cool before storing in any enclosure.
4. To reduce the fire hazard, keep the engine, muffler, battery compartment and gas storage area free of grass, leaves, or excessive grease.
5. Check the grass catcher frequently for wear or deterioration.
6. Replace worn or damaged parts for safety.
7. If the fuel tank has to be drained, this should be done outdoors.

PARTS LIST

KNOW YOUR LAWN MOWER

Fig. 1



PARTS LIST

- 1 Self-propelled drive control bar
- 2 Upper handle
- 3 Engine start handle
- 4 Rope guide
- 5 Grass bag
- 6 Rear chute flap
- 7 Height-adjusting handle
- 8 Rear wheel
- 9 Side discharge chute (removable)
- 10 Side discharge cover
- 11 Front wheel
- 12 Cutting deck
- 13 Spark plug cover
- 14 Engine oil cap
- 15 Gas filler cap
- 16 Cord clip
- 17 Lower handle
- 18 Handle knob and bolt
- 19 Engine on/off control bar

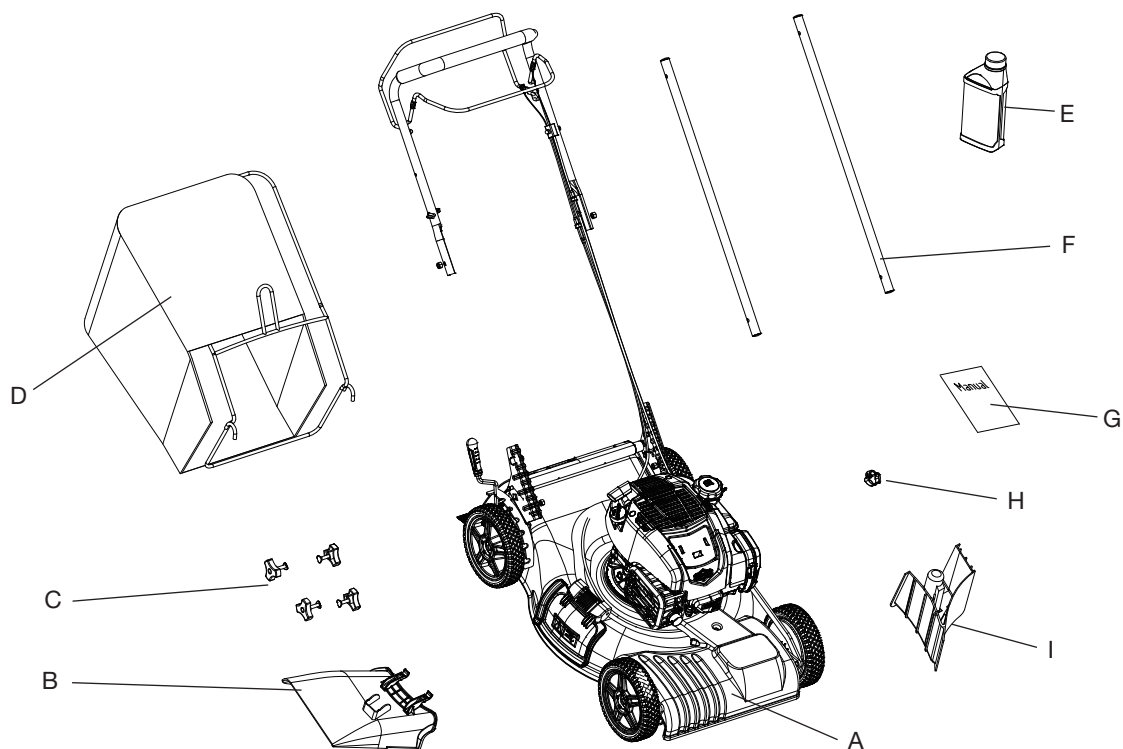
PARTS LIST

Carefully remove the lawn mower from its packaging and check that the following parts are included:

- A. Main mower deck (with upper handle) 1 pc
- B. Side discharge chute 1 pc
- C. Handle Knob and Bolt 4 sets
- D. Grass bag with frame 1 set
- E. Engine Oil (SAE 30 15 o.z.) 1 pc
- F. Lower handle bar 2 pcs
- G. Manual 1 pc
- H. Cord clip 1 pc
- I. Mulching plug (inside the mower) 1 pc

PARTS LIST

Fig. 2



WARNING!

If any parts are damaged or missing, do not operate this lawn mower until the missing parts are replaced.

Failure to heed this warning could result in serious personal injury.



NOTE:

Always recycle the packaging in accordance with local recycling programs.



WARNING!

This item requires a two-person lift to remove from the packaging. Make sure that you have sufficient space to put the lawn mower down. Keep your feet apart so that you have a stable position, bend at the knees and keep your back straight.

INTENDED USE

This gas-powered lawn mower has been designed for cutting residential lawn areas.

The machine is to be used only for its prescribed purpose. Any other use is deemed to be a case of misuse. The user/operator and not the manufacturer will be liable for any damage or injuries of any kind caused as a result of this.

Please note that our equipment has not been designed for use in commercial, trade or industrial applications. Our warranty will be voided if the machine is used in commercial, trade or industrial businesses or for equivalent purposes.

TECHNICAL SPECIFICATIONS

TECHNICAL SPECIFICATIONS

Engine type	Single cylinder 4-stroke
Engine displacement	150 cc
Engine speed	3100±100 RPM
Cutting path	21" (53 cm)
Grass bag capacity	16 Gallon (60 L)
Height adjustments	1.25" - 3.75" (32-95 mm)
Front wheel diameter	8" (20 cm)
Rear wheel diameter	8" (20 cm)

ASSEMBLY



CAUTION! Read complete INSTRUCTION MANUAL before operating this machine.
IMPORTANT! THIS LAWN MOWER IS SHIPPED WITHOUT OIL OR GASOLINE IN THE ENGINE.

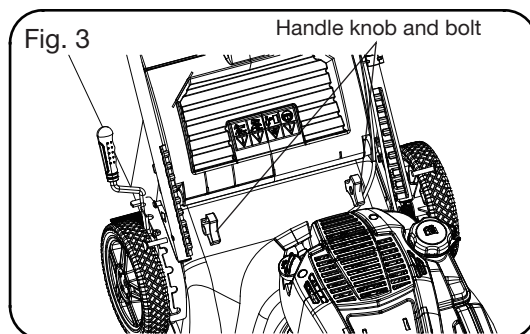
Your new lawn mower has been assembled at the factory with the exception of those parts left disassembled for shipping purposes. All parts, such as nuts, washers, bolts, etc., necessary to complete the assembly have been placed in the parts bag. To ensure safe and proper operation of your lawn mower, all parts and hardware you assemble must be tightened securely. Use the correct tools as necessary to ensure proper tightness.

TO REMOVE LAWN MOWER FROM CARTON

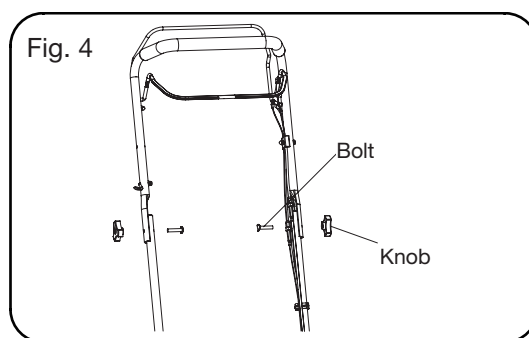
1. Remove loose parts included with mower.
2. Cut down two end corners of carton and lay end panel down flat.
3. Remove all packing materials except padding between upper and lower handle and padding holding control bars to upper handle.
4. Roll lawn mower out of carton and check carton thoroughly for additional loose parts.

ASSEMBLING THE HANDLE

As shown in Figs. 3 and 4



ASSEMBLY

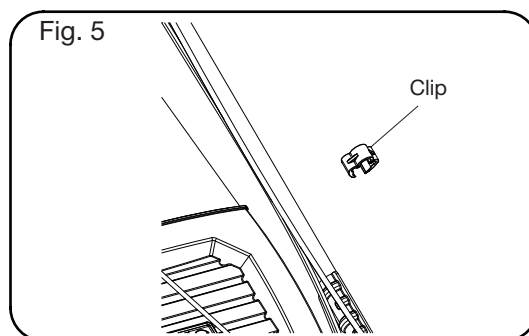


IMPORTANT: Unfold handle carefully to avoid pinching or damaging the control cables.

1. Fasten the lower handle to the lawn mower deck by using 1 knob and 1 head bolt on each side.
2. Unfold the upper handle and attach it to the lower handle by using 1 knob and 1 bolt on each side.

CLIP CONTROL CABLES TO THE HANDLE

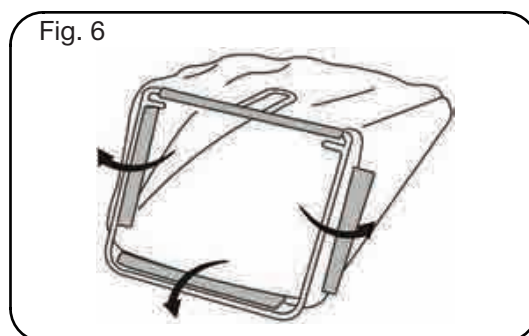
As shown in Fig. 5



Attach the control cables to the handle with the clip (supplied).

ASSEMBLING THE GRASS BAG

As shown in Fig. 6

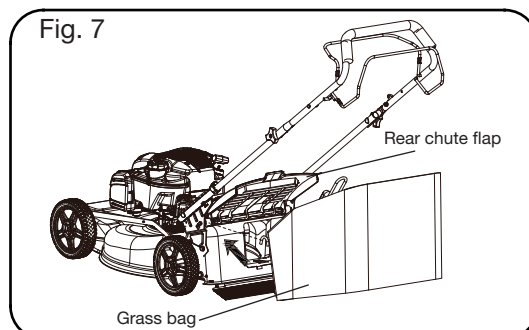


1. The grass bag comes partially assembled. Make sure the frame handle is outside the bag top.
2. Slip the vinyl bindings over the frame.

ASSEMBLY

ATTACHING THE GRASS BAG TO THE MOWER

As shown in Fig. 7

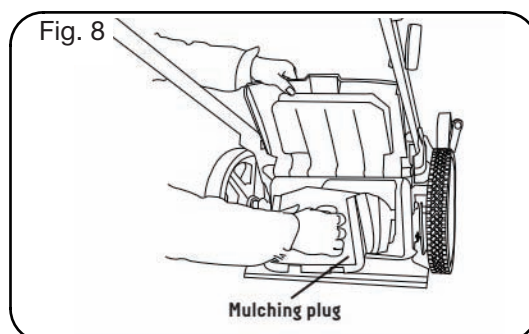


NOTE: Never install or remove the grass bag, mulching plug or side discharge chute while the engine is running.

1. Lift the rear chute flap with one hand and hook in the grass bag, make sure the mulching plug is removed.
2. Release the rear chute flap to secure the grass bag in position.

INSTALLING THE MULCHING PLUG

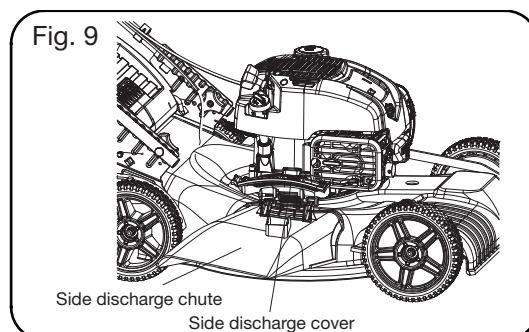
As shown in Fig. 8



1. Remove the grass bag.
2. Push the mulching plug into the discharge chute until it is locked in position.
3. Release the rear chute flap. It will close back to cover the mulching plug.

INSTALLING THE SIDE DISCHARGE CHUTE

As shown in Fig. 9



ASSEMBLY



NOTE: When changing to the side discharge, remove the grass bag and insert the mulching plug.

1. Lift the side discharge cover with one hand and hook in the side discharge chute with the other hand.
2. Release the side discharge cover to secure the chute in position.

CHECKING AND FILLING ENGINE OIL

As shown in Figs. 10 to 11



CAUTION! The following procedures and adjustments must be performed before the engine is started.

Do not attempt to make any of these adjustments while the engine is running.



CAUTION! To prevent engine damage, the engine is shipped without oil or gas.

The engine must be filled with the correct grade of oil and gas before starting the engine.



NOTE! Running the engine with a low oil level will cause engine damage. It is recommend that high-detergent, premium-quality 4-stroke engine oil used. Using non-detergent oil can shorten the engine's service life, and using 2-stroke oil will damage the engine.



CAUTION! Always use high-quality detergent oil classified SAE30 oil (or equivalent, such as SAE 5W-30, often called 4-stroke lawn mower oil).

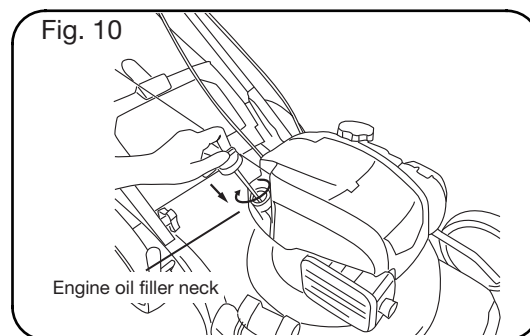
Never use additives with recommended oil.

This engine is "Check and add" and never needs the oil to be replaced.



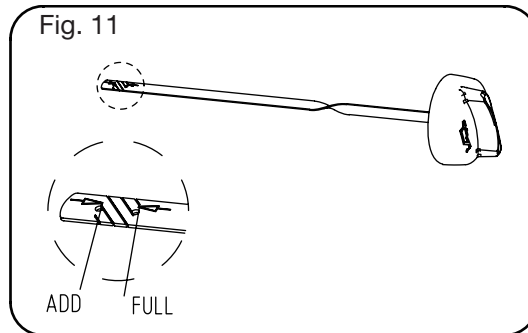
NOTE: To check the engine oil level, stop engine and place the mower on a level surface.

1. Remove the oil filler dipstick and wipe oil from it with a clean cloth (see Fig. 10).



2. Insert the dipstick into the oil filler neck, and tighten it.
3. Remove the dipstick and check the oil level: the oil level must be between the Min and Max marks on the dipstick. If near the lower level, fill to upper lever with the recommended oil (SAE30 or equivalent). Do not overfill. Wipe away any spilled oil (see Fig. 11).

ASSEMBLY



4. Attach oil filler dipstick and tighten by hand.
5. Before using for the first time, add maximum of 15 ounces of oil (supplied, SAE 30).

FILLING WITH ENGINE FUEL

As shown in Fig. 12



CAUTION! Always use clean, fresh unleaded gas. Purchase fuel in quantities that can be used within 30 days. Never mix oil with gas.



CAUTION! Do not fill into the base of neck to allow for fuel expansion. Do not overfill the fuel tank.



CAUTION! WARNING! Gas is highly flammable and extreme caution must be taken when handling or working with it. Keep out of reach of children.



CAUTION! To prevent engine damage the engine is shipped without oil or gas. The engine must be filled with the correct grade of oil and gas before starting the engine.

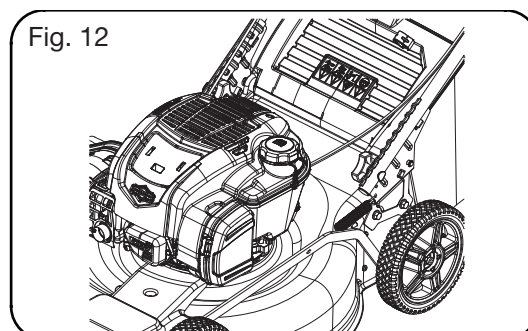


WARNING! Refuel in a well-ventilated area with the engine stopped. Do not smoke or allow flame or sparks in the area where the engine is refueled or where gas is stored. Avoid repeated or prolonged contact with skin or inhalation of vapour.



WARNING! Gasoline with up to 10% ethanol (gasohol) is acceptable. Do not use unapproved gasoline, such as E15 and E85.

1. Clean the area around the gas filler cap before removing the cap. Remove the warning tag, and check the fuel level (see Fig. 12).

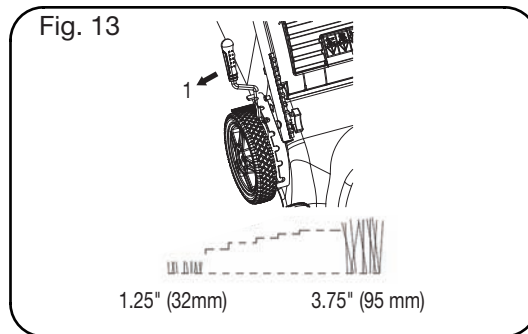


ASSEMBLY

2. Refill the tank if the fuel level is low.
3. Refuel carefully to avoid overfilling or spilling fuel.
There should be no fuel in the filler neck.
4. Clean up any overflow or splashes of gas before starting the engine.
5. Tighten the filler cap after filling: finger tight only.

SETTING THE CUTTING HEIGHT

As shown in Fig. 13



CAUTION! CAUTION! Adjust the cutting height only when the engine is not running.

NOTE: For shipping purposes the height adjustment position may not be adjusted to the cutting position. Before operating the mower adjust cutting height to the normal cutting position.

The cutting height is centrally adjusted with height adjusting handle. Different cutting heights can be selected.

Pull the height adjusting handle out and select the desired cutting height. The handle snaps into the desired position.

From position 1 to position 7, the cutting heights range from 1.25" to 3.75" (32-95mm).

SETTING REQUIRED FUNCTION



NOTE: This lawn mower has three functions. Change functions by changing the installed accessories as shown in the following chart.

To convert mower	Mulching Plug	Grass Bag	Side Discharge Chute
For rear bagging	×	√	×
For mulching	√	×	×
For side discharging	√	×	√

“√”: installed “×”: removed

OPERATION

START AND STOP THE ENGINE



WARNING: the blade begins to rotate as soon as the engine is started.



NOTE: Do not operate the lawn mower in enclosed or poorly-ventilated areas as the exhaust gas contains toxic substances.

Keep hands, feet, hair and clothing away from the moving parts of the machine. The exhaust and other parts of the machine will become hot during use.

Make sure that the blade is securely fastened before starting the engine.



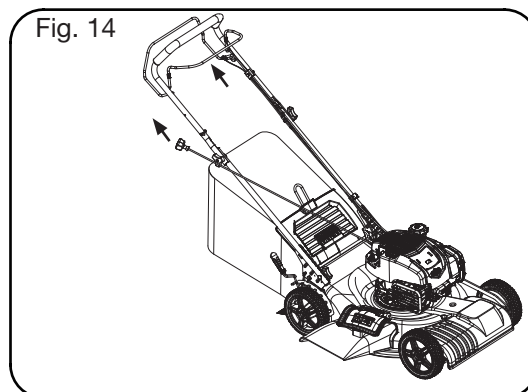
NOTE: to start the engine, make sure that the spark plug cover is connected to the plug and the machine is filled with sufficient oil and gas.

TO START THE ENGINE

NOTE: Due to protective coatings on the engine, a small amount of smoke may be present during the initial use of the lawn mower. This is normal.

NOTE: NOTE: Your engine is equipped with an automatic choke system. No priming or choking is required before starting.

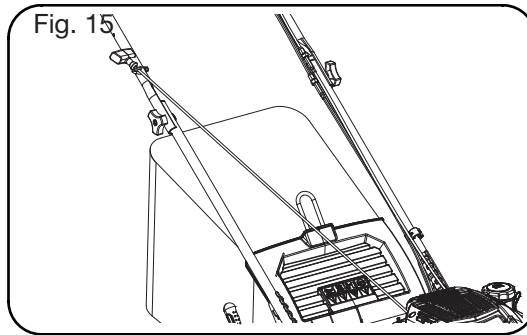
1. The engine equipped with an automatic choke system. No priming or choking is required before starting for your mower.
2. Stand behind the mower. Pull the Engine On/Off Control Bar toward upper handle with one hand and place the other hand on the Engine Start Handle.
3. Pull the starter handle out approximately 4" to 6" until you feel a resistance and then start the engine with a sharp pull (see Fig.14). DO NOT allow the starter rope to snap back.



NOTE: If the engine fails to start after three pulls, repeat the process.

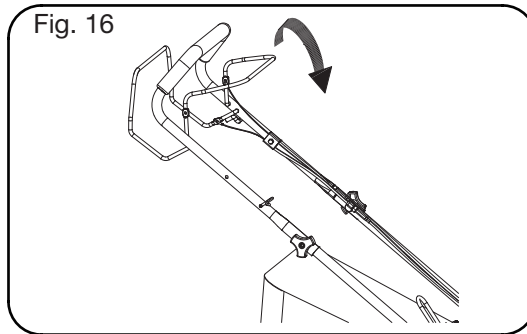
OPERATION

- Once the engine is running, put the starter rope into the rope guide (see Fig. 15).



TO STOP THE ENGINE

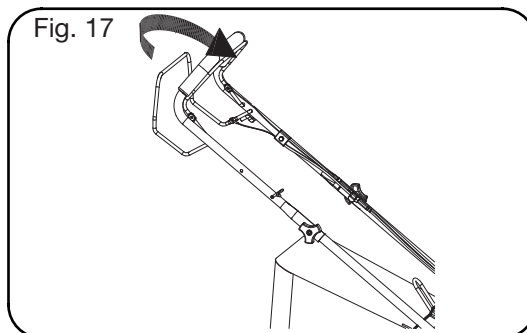
As shown in Fig. 16



Release the Engine On/Off Control Bar. It will return to its initial position and the engine will automatically switch off.

DRIVE CONTROL

As shown in Fig. 17



- Self-propelling is controlled by holding the engine on/off control bar down to the handle and push the self-propelling bar to the handle.
- To stop forward motion without stopping the engine, release the self-propelled drive control bar while still holding the engine on/off control bar down against the handle to continue mowing without self-propel drive activated.



NOTE: After releasing the self-propelling bar, if the mower will not roll backwards, push the mower forward slightly to disengage the drive wheels.

OPERATION



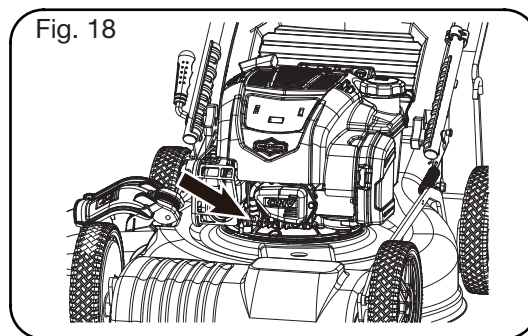
NOTE: Always keep the self-propelling control bar completely against the main handle. Operating with the self-propelling bar away from the main handle will cause damage to the transmission.

TO CLEAN A FLOODED ENGINE

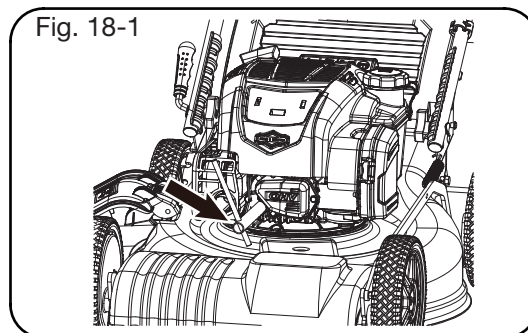


NOTE: If the engine won't start after you have pulled the engine start rope several times, the engine may be flooded with excess fuel. Use following procedure to clear and start a flooded engine.

1. Release the Engine On/Off Control Bar to stop engine.
2. Remove the spark plug, dry it, and then re-install it.
 - (1) Remove the spark plug cover (see Fig. 18).



- (2) Use a spark plug socket wrench (not supplied) to remove the spark plug (see Fig. 18-1).



- (3) After drying, tighten the spark plug.



NOTE: Install the spark plug carefully by hand to avoid cross-threading. After the plug is seated, tighten 1/8 to 1/4 turn with the spark plug socket wrench to compress the washer.

3. Pull the Engine On/Off Control Bar toward upper handle.
4. Operate the starter as described above.

OPERATION

MOWING



WARNING: Always observe the strictest safety procedures when using the lawn mower. Carefully read the safety instructions of this manual before using the lawn mower.



WARNING: Never open the rear chute flap when the grass bag has been detached (to be emptied) and the engine is still running. The rotating blade can cause serious injuries!

1. Select your required height and function settings.
2. Start the engine and allow it run.
See "To start the engine".
3. Keep a firm grip on the upper handle with engine on/off control bar and self-propelled drive control bar closed and walk along with it self-propelling to start mowing.

WORKING TIPS

1. Walk, never run with the mower, and be very careful when mowing uneven or rough ground.
2. Mow across slopes, never up and down.
3. Be careful when changing the direction of the mower on a slope.
4. Do not mow excessively steep slopes.
5. The best result will be achieved if the grass is dry. Wet grass will tend to clog the blade and the grass collection system.
6. Grass grows at different rates at different time of the year. Never use the lowest cutting height for the first cut of the season or in drought conditions.
7. Only about one third of the grass height should be cut.
8. Do not cut high or wet grass when mulching to ensure that the cut grass can be scattered effectively. When you have been cutting for several minutes, please stop the mower and clean the blade and the deck.
9. Do not remove grass debris in the mower casing or on the blade by hand or with your feet. Instead, use suitable tools such as a brush or broom.

EMPTYING THE GRASS BAG

As soon as grass clippings start to trail the lawn mower, it is time to empty the grass bag.



NOTE: Before taking off the grass bag, switch off the engine and wait until the blade has come to a stop.

1. To take off the grass bag, use one hand to lift up rear chute flap and the other to grasp the grass bag handle. The rear chute flap automatically falls down after removing the grass bag and closes off the rear chute opening.
2. Empty the grass debris in the grass bag, and reinstall the grass bag.



NOTE: If any grass residue is caught in the discharge chute, clean it using a brush. Do not remove grass debris in the mower casing or on the blade by hand or with your feet. Instead, use suitable tools such as a brush or broom. To ensure that the cut grass can be collected into grass bag, the discharge opening and inside the mower casing must be cleared of any blockage.

MAINTENANCE AND STORAGE



WARNING: Before performing any maintenance or cleaning work, switch off the engine and wait until the blade has come to a stop.

CLEANING

GENERAL CLEANING

The lawn mower should be cleaned thoroughly every time after it has been used. Always clean your lawn mower immediately after use.

Do not allow grass cuttings and other debris to become dry and hard on any of the mower surfaces. Dried grass remnants and dirt may impair the mowing operation.

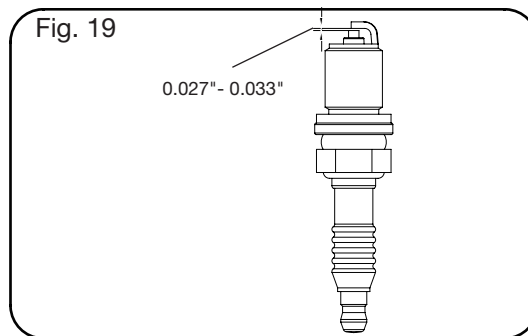
Check that the grass chute is free of any residual grass. Remove any such residue. Check the underside of the lawn mower and the blade mount. When checking, tilt the lawn mower onto its left side (opposite the oil filler neck).



NOTE: Before placing the lawn mower on its side, fully drain the fuel tank using a gas extraction pump. Do not tilt the lawn mower by more than 90 degrees.

MAINTENANCE OF THE SPARK PLUG

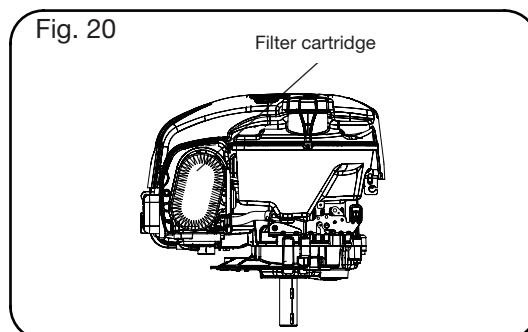
As shown in Fig. 19



1. Once the engine has cooled, pull off the spark cover with a twist.
2. Remove the spark plug using a spark plug wrench (not supplied).
3. Clean the spark plug with a wire brush (not supplied).
4. Using a feeler gauge, set the gap to 0.027" - 0.033" (0.686 - 0.838 mm).
5. Install the spark plug carefully by hand to avoid cross-threading.
6. After the spark plug is seated, tighten with the spark plug wrench to compress the washer.

MAINTENANCE OF THE AIR FILTER

As shown in Fig. 20



MAINTENANCE AND STORAGE

Soiled air filters reduce the engine output by restricting air to the carburetor. If the air contains a lot of dust, the air filter should be checked more frequently.



WARNING! Never run the engine without the air filter element installed.

1. Press tabs at the top of the air filter cover and tilt away from the engine to remove the cover.
2. Remove the filter cartridge.
3. To loosen debris, gently tap the filter cartridge on a hard surface. If the filter cartridge is excessively dirty, replace with a new one.



Note: Never clean the air filter cartridge with gas or inflammable solvents. Clean the air filter cartridge only with compressed air or by tapping it.

4. Install the filter cartridge.
5. Close the cover and secure it properly by snapping tabs back into the correct slots at the top.

CHECK AND ADD THE ENGINE OIL

The Briggs & Stratton 625EXi engine on this lawn mower is made with a special feature Check & Add™. The oil never needs to be changed. Before each use check the oil level and add additional oil if the level is not within the Min - Max levels.

REPLACING THE BLADE

For safety reasons you should only ever have your blade sharpened, balanced and mounted by an authorized service workshop. For optimum results, it is recommended that the blade be inspected once a year.



WARNING! Before you remove the grass collection bag, stop the engine and wait until the blade stops completely.



WARNING! You will need garden gloves (not provided) and a wrench (not provided) to remove the blade.



NOTE! Don't invert the mower. Tip it slightly towards the oil filler pipe and reach under the deck.



WARNING! Always handle the blade with care; sharp edges could cause injury. USE GLOVES. Replace your metal blade after 50 hours mowing or 2 years, whichever is sooner, regardless of condition.



WARNING! If the blade is cracked or damaged, replace it with a new one.



WARNING! Don't hold the blade by hand directly.



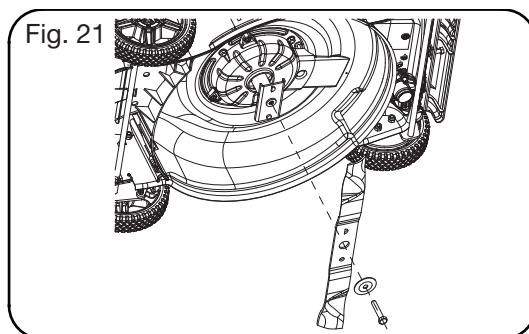
NOTE! Maintain the sharpness of the blade when cutting grass. If the blade has worn excessively and become pitted and blunt, it should be replaced or sharpened. The sharpness of the blade will affect the performance of the lawn mower.

MAINTENANCE AND STORAGE

For safety reasons we recommend that the blade only be changed by someone qualified and authorized to do so.

Hold the blade and unscrew the blade bolt counter-clockwise using a wrench. Remove the washer and the blade.

Fit a new blade or re-sharpen the blade. Place the blade on the two studs on the blade flange and then replace the washer and bolts. Make sure the blade is correctly located, and then firmly tighten the bolt. Do not over tighten. The up turn of the blade must project into the motor compartment.



STORING THE LAWN MOWER FOR SHORT PERIODS

The lawn mower can be stored for short periods of time (less than 15 days) without performing any storage maintenance. Before placing the lawn mower into storage always do the following:

1. Allow the engine to fully cool.
2. Ensure the grass bag is empty.
3. Clean all debris from under the mower deck.
4. Store the lawn mower on a flat and level surface with the mower upright.
5. Store in a safe place which is not accessible by children or people who are not familiar with the lawn mower's operation.

STORING THE LAWN MOWER FOR EXTENDED PERIODS

If the lawn mower is to be placed into storage for more than 15 days, storage maintenance must be performed on the lawn mower. If the following steps are not carried out, when you next operate the lawnmower it may not start correctly and may need to be serviced.



CAUTION! Do not empty the gas tank in enclosed areas, near fire or when smoking. Gas fumes can cause explosions and fire.

1. Empty the gas tank with a gas suction pump if available.
2. Start the engine and let it run until any remaining gas has been used up.
3. Clean the cooling fins of the cylinder and the housing.
4. Be sure to clean the entire machine to protect the paint.
5. Store the machine in a well-ventilated place.

MAINTENANCE AND STORAGE

MAINTENANCE SCHEDULE

Performing routine maintenance correctly on your lawn mower will ensure you get years of trouble-free use. Please keep this manual safe for future reference.

It is recommended that the following maintenance schedule is adhered to. This will ensure the lawn mower operates correctly and is safe to use.

	12 hours of use	24 hours of use	36 hours of use
Air filter	Clean	Clean	Clean
Spark plug	Check	Clean	Clean
Engine oil	Check	Check and Add	Check and Add

TRANSPORTING THE LAWN MOWER

Empty the gas tank. Always let the engine run until it has used up the remainder of gas in the tank. Empty the engine oil from the warm engine. Remove the spark plug cover from the spark plug. Clean the cooling fins of the cylinder and the housing. Use the original packaging to ship whenever possible.

TROUBLE SHOOTING



WARNING: Before performing any maintenance or cleaning work, switch off the engine and wait until the blade has come to a stop.



Caution!

Improper repairs can result in the product functioning unsafely. This endangers yourself and your environment.

Faults which cannot be rectified with the aid of following table may require service by an authorized Yard Force or Briggs & Stratton repair center.

Please be aware that any improper repairs will also invalidate the warranty and additional costs may be incurred.

Use only genuine spare parts. Only these spare parts are designed and suitable for this lawn mower. The use of other spare parts not only voids the warranty, you can also endanger yourself and your environment.

Fault/malfunction	Cause	Remedy
Loud while running; machine vibrates heavily.	Screws are loose. Blade fasteners are loose. Blade is unbalanced.	Tighten screws. Tighten blade fasteners. Replace blade.
Engine does not start.	Engine on/off control bar not pressed. Spark plug is defective. Cutting blade is worn or damaged. Fuel tank is empty. Engine may be flooded.	Press engine on/off control bar. Replace spark plug. Replace it through the customer service centre. Refill with fuel. Remove plug and dry.
Engine runs unsteadily.	Air filter is soiled. Spark plug is soiled.	Clean the air filter. Clean the spark plug.
Uneven mowing results.	Blade is blunt. Cutting height is too low.	Sharpen the blade. Set correct height.
Grass bag is not filled sufficiently.	Blade is worn. Grass bag is clogged. Cutting height is not right. The lawn/grass is wet. Discharge channel/housing is blocked. Underside of the mower deck is clogged.	Replace the blade. Empty the grass bag. Correct the cutting height. Allow the lawn to dry. Clean the discharge channel/housing. Clean the underside of the mower deck.

WARRANTY

YARD FORCE TWO YEAR LIMITED WARRANTY

Product Warranty

Please keep your original purchase receipt in a safe place as proof of purchase. Warranty coverage for this product must be verified by the original purchase receipt. The warranty period begins on the day that the product was purchased from an authorized retailer of Yard Force products. Warranty coverage only applies to the original purchaser and is not transferable. Warranty coverage is only provided on products purchased and used in the USA and Puerto Rico from authorized Yard Force retailers. Products purchased or used outside of the USA and Puerto Rico are not covered by this warranty.

(2) Two-Year Warranty – Engine

The YF22-3N1SPF has a 2-Year Limited Warranty from the date of purchase against manufacturer defects for residential use only. Commercial use voids the warranty. This warranty does not cover accidental damage, unreasonable use, normal wear and tear, neglect or non-compliance with the Operating, Safety and Maintenance Instructions. All service, outside of normal maintenance as described in this manual, must be done by an authorized service technician. Any unauthorized service or changes to the original configuration of this product will void the warranty. All parts and accessories used on and with this product must be manufacturer/or and authorized by Merotec Inc.

(90) Ninety-Day Warranty – Accessories

The accessories included with the YF22-3N1SPF; like the blade, and other similar parts are warranted against manufacturer defects for residential use only for a period of 90 days from date of purchase.

Warranty does not cover loss of use or other consequential damages arising from any of the above, nor does it cover repairs made or attempted by unauthorized persons. This warranty is void if the product is used for commercial, rental or industrial purposes. Certain parts, attachments and accessories are subject to normal wear and tear and are excluded from the warranty.

Service and Warranty Claims Process

Contact the Yard Force Support Center toll-free at **(866) 902-9690 Monday-Friday between 8:30 AM and 5:00 PM Eastern Time** for service and warranty support.

Yard Force USA Service Support agents can help you troubleshoot problems over the phone to get you back up and running as quickly as possible. In the situation where service or warranty inspection is needed, please follow these steps:

1. Contact Yard Force USA at **(866) 902-9690 or support@merotecusa.com Monday-Friday between 8:30 AM and 5:00 PM Eastern Time.**
2. Send in proof-of-purchase and serial number (if applicable) to confirm warranty coverage.
3. If service or a warranty evaluation is requested, Yard Force USA will provide an RGA number that should be used in all communications with Yard Force USA and if necessary a list of local authorized service centers to bring your lawn mower to for evaluation and repair.
4. All shipments to Yard Force USA must have an RGA number. Any shipment received that does not have an RGA number clearly marked on the outside of the box will be refused.
5. All shipments must be sent pre-paid, Yard Force USA does not pay for any shipping costs for service or warranty evaluation. Yard Force USA is not responsible for any packages that are lost by carrier. We recommend that shipments are made by a carrier that provides tracking and delivery confirmation.

For more information or to ask questions, please call toll-free **(866) 902-9690 or support@merotecusa.com Monday-Friday between 8:30 AM and 5:00 PM Eastern Time.**

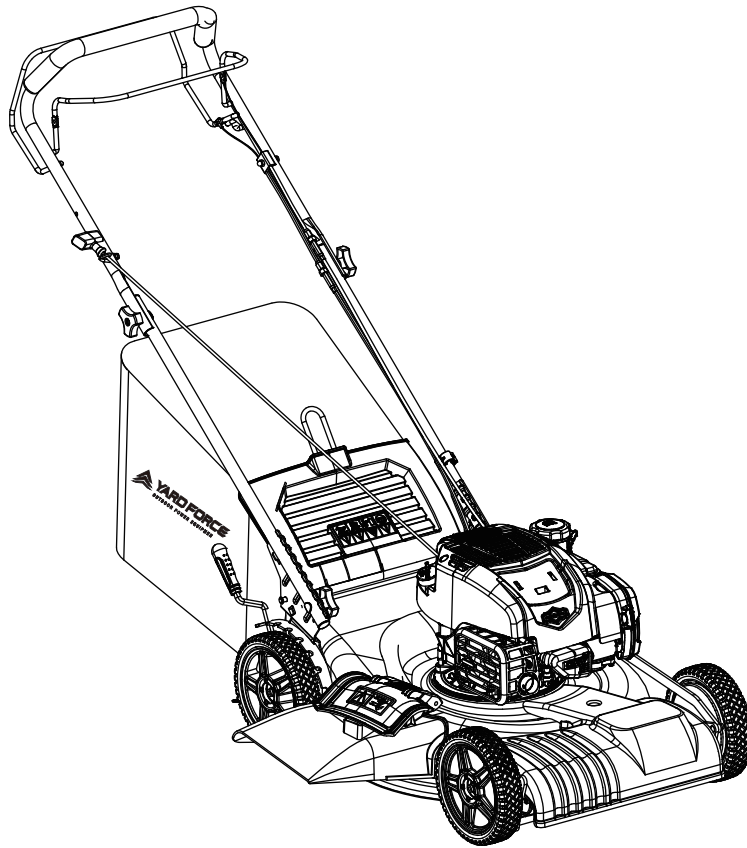
SAVE THESE INSTRUCTIONS



YARD FORCE[®]
OUTDOOR POWER EQUIPMENT

YF22-3N1SPF

CORTACÉSPED 3 EN 1 DE 22” CON AUTOPROPULSIÓN MANUAL DEL USUARIO



El personal de nuestro servicio de atención al cliente está preparado para proporcionar asistencia.

En caso de que alguna pieza falte o esté dañada, la mayoría de las piezas de recambio se envían desde nuestras instalaciones.

Si necesita ayuda inmediata para el montaje, o si desea más información sobre el producto, visite la página www.YardForceUSA.com o envíe un mensaje de correo electrónico a support@MerotecUSA.com



CONSERVE ESTE MANUAL PARA CONSULTARLO



Necesitará este manual para leer las instrucciones de seguridad, el modo de empleo y la garantía.

Para reclamar el servicio de garantía es necesario el justificante de compra original.

YARD FORCE

YF22-3N1SPF Instrucciones originales

ÍNDICE

Instrucciones de seguridad	3
Lista de piezas	7
Uso previsto	9
Especificaciones técnicas	10
Montaje	10
Modo de empleo	16
Mantenimiento y almacenamiento	20
Solución de problemas	24
Garantía	25

INSTRUCCIONES DE SEGURIDAD

IMPORTANTE

Lea completamente estas instrucciones antes de montar la herramienta y de utilizarla.

DESCRIPCIÓN DE LOS SÍMBOLOS

La finalidad de los símbolos que se usan en este manual es atraer su atención hacia los posibles riesgos. Los símbolos de seguridad y las explicaciones que los acompañan deben comprenderse perfectamente. Las advertencias no evitan los riesgos por sí mismas, y no sustituyen a la adopción de medidas adecuadas para evitar accidentes.

SÍMBOLOS DE ADVERTENCIA EN EL APARATO



¡ADVERTENCIA! El usuario debe leer el manual de instrucciones para reducir el riesgo de lesiones.



Este símbolo, cuando aparece antes de un comentario, indica precaución, advertencia o peligro. Si ignora esta advertencia puede sufrir un accidente usted mismo o provocarlo a otras personas. Para limitar el riesgo de lesiones, incendio o electrocución, siga siempre las recomendaciones que se indican.



PELIGRO - CUCHILLA GIRATORIAS

No utilice nunca la herramienta si no están instalados correctamente en su lugar los protectores, placas u otros dispositivos de seguridad.



PELIGRO - PERSONAS SITUADAS CERCA

No corte el césped si hay cerca niños u otras personas.



Antes de retroceder y mientras retrocede, mire hacia abajo y hacia atrás.



PELIGRO - PENDIENTES

Extreme las precauciones en las pendientes. No corte el césped en pendientes de más de 15°.



PELIGRO - CORTES EN MANOS O PIES

Mantenga las manos y los pies alejados de las piezas giratorias.



PELIGRO - OBJETOS LANZADOS

Retire todos los objetos que puedan ser lanzados por la cuchilla en cualquier dirección. Utilice gafas de seguridad.



Utilice protección auditiva.



Utilice protección ocular.



PELIGRO: MANTENGA LAS MANOS Y LOS PIES ALEJADOS.



ADVERTENCIA - LA GASOLINA ES INFLAMABLE

Espere como mínimo dos minutos hasta que el motor se enfríe antes de repostar.



ADVERTENCIA - MONÓXIDO DE CARBONO

No ponga nunca en marcha un motor en interiores ni en lugares poco ventilados. El humo de escape del motor contiene monóxido de carbono, un gas mortal e inodoro.



ADVERTENCIA - SUPERFICIE CALIENTE

Las piezas del motor, en especial el silenciador, se calientan extremadamente durante el funcionamiento. Espere a que el motor y el silenciador se enfríen antes de tocarlos.

INSTRUCCIONES DE SEGURIDAD

INSTRUCCIONES DE SEGURIDAD

FORMACIÓN

1. Lea atentamente las instrucciones. Familiarícese con los controles y el uso correcto del equipo.
2. Nunca permita que utilicen el cortacésped los niños o las personas que no estén familiarizadas con estas instrucciones. Las regulaciones locales pueden restringir la edad del usuario.
3. Nunca utilice el cortacésped cuando haya cerca otras personas, especialmente niños, o mascotas.
4. Tenga en cuenta que el operario o usuario es responsable de los accidentes o riesgos que ocurran a otras personas o a su propiedad.
5. No utilice el aparato si se encuentra bajo la influencia de alcohol o drogas.
6. Siga las instrucciones del fabricante en relación con los pesos o contrapesos de las ruedas.
7. Pare el aparato y los accesorios si alguien entra en el área en la que los está utilizando.

PREPARACIÓN

1. Lleve siempre calzado robusto y pantalones largos cuando utilice el cortacésped. No use el aparato cuando vaya descalzo o lleve puestas sandalias abiertas.
2. Examine minuciosamente la zona donde vaya a utilizarse el aparato y elimine todos los objetos que puedan ser lanzados por la máquina.
3. Advertencia: la gasolina es muy inflamable.
 - Guarde el combustible en recipientes diseñados específicamente para ello.
 - Reposte combustible solo en exteriores y no fume mientras lo hace.
 - Añada gasolina antes de arrancar el motor. No quite nunca el tapón del depósito de combustible ni añada gasolina cuando el motor esté en marcha ni cuando esté caliente.
 - Si se derrama gasolina, no intente arrancar el motor. Aleje el aparato del área donde se ha derramado el combustible y evite crear cualquier fuente de ignición hasta que se hayan disipado los vapores de gasolina.
 - Vuelva a cerrar bien los tapones del depósito de combustible y del recipiente.
4. Cambie los silenciadores si están defectuosos.
5. Antes de utilizar la herramienta, examine siempre las cuchillas, sus tornillos y el conjunto del sistema de corte para comprobar que no están dañados. Sustituya simultáneamente las cuchillas dañadas o desgastadas con sus tornillos para mantener así el equilibrado correcto del conjunto.
6. En las máquinas con varias cuchillas, tenga cuidado, ya que al girar una cuchilla es posible que giren las demás.

MODO DE EMPLEO

1. No ponga en marcha el motor en lugares en los que puedan acumularse gases de monóxido de carbono peligrosos.
2. Utilice el cortacésped solo a plena luz del día o cuando se cuente con iluminación artificial adecuada.
3. Siempre que sea posible, evite utilizar el aparato para cortar hierba húmeda.
4. Asegúrese siempre de tener los pies firmemente apoyados sobre el suelo cuando utilice la herramienta en pendientes.
5. Desplácese caminando, sin correr nunca.
6. En el caso de aparatos rotativos con ruedas, corte la hierba desplazándose perpendicularmente a la pendiente, nunca cuesta arriba o cuesta abajo.
7. Extreme la precaución al cambiar de dirección mientras utiliza la herramienta en pendientes.
8. No corte el césped en pendientes excesivamente pronunciadas.
9. Extreme la precaución al retroceder o al tirar hacia usted del cortacésped.
10. Detenga las cuchillas si se tiene que inclinar el cortacésped durante el transporte para atravesar superficies que no sean hierba, o cuando se traslade el aparato desde o hacia la zona de uso.
11. Nunca utilice el cortacésped si las protecciones están dañadas o sin sus dispositivos de seguridad instalados, por ejemplo, sin deflectores o sin el recogedor de hierba en su lugar.
12. No cambie los ajustes de regulación del motor ni ponga el motor a una velocidad excesiva.
13. Antes de arrancar el motor, desbloquee todos los dispositivos de corte y los embragues de accionamiento.

INSTRUCCIONES DE SEGURIDAD

14. Arranque o encienda el motor con cuidado, teniendo en cuenta las instrucciones y con los pies bien alejados de la(s) cuchilla(s).
15. No incline el cortacésped mientras arranca el motor o lo enciende, a menos que sea necesario inclinarlo para poder ponerlo en marcha. En ese caso, no incline el producto más de lo absolutamente necesario y eleve únicamente la parte que queda más alejada del usuario.
16. No ponga en marcha el motor estando delante de la tolva de descarga.
17. No ponga las manos ni los pies cerca o debajo de los elementos que giran. Manténgase alejado de la abertura de descarga en todo momento.
18. Nunca levante ni transporte un cortacésped con el motor en marcha.
19. Pare el motor y desconecte el cable de la bujía, asegúrese de que todas las piezas móviles se hayan parado completamente y, si está introducida la llave, sáquela:
 - antes de eliminar bloqueos o desatascar la descarga,
 - antes de comprobar, limpiar o realizar cualquier trabajo en el cortacésped,
 - tras haber golpeado algún objeto extraño. Inspeccione el cortacésped para ver si ha sufrido daños y repárelo antes de volver a ponerlo en marcha y utilizarlo.
 - si el cortacésped empieza a vibrar de forma inusual (compruébelo inmediatamente).
20. Pare el motor y desconecte el cable de la bujía, asegúrese de que todas las piezas móviles se hayan parado completamente y, si está introducida la llave, sáquela:
 - siempre que vaya a dejar el producto,
 - antes de repostar.
21. Reduzca el ajuste del estrangulador durante el apagado del motor y, si el motor está equipado con una válvula de cierre, cierre el combustible cuando termine de cortar el césped.
22. Evite los agujeros, surcos, baches, rocas u otros peligros ocultos.
23. No dirija el material de descarga hacia ninguna persona. Evite descargar material contra una pared o una obstrucción. El material puede rebotar hacia el usuario. Pare la(s) cuchilla(s) cuando atraviese superficies de grava.
24. No deje una herramienta en marcha sin vigilancia. Déjela siempre en una superficie nivelada, desmonte el accesorio, ponga el freno de estacionamiento y pare el motor.
25. No corte el césped marcha atrás, a menos que sea absolutamente necesario.
26. Pueden producirse accidentes trágicos si el usuario no está atento a la presencia de niños. Con frecuencia, a los niños les atrae la herramienta y la actividad de cortar el césped. No suponga nunca que los niños permanecerán donde los ha visto por última vez.
27. Mantenga a los niños fuera del área de funcionamiento de la herramienta y bajo la supervisión de un adulto responsable que no sea el usuario.
28. Desplácese por las pendientes siguiendo la dirección recomendada por el fabricante. Tenga cuidado cuando utilice la herramienta cerca de simas.
29. Si apoya mal los pies, podría resbalar y sufrir una caída.
30. No utilice el aparato en ningún caso si hay problemas de tracción, control o estabilidad. Los neumáticos pueden resbalar incluso si las ruedas están paradas.
31. Mantenga siempre la herramienta engranada cuando descienda por una pendiente. No la deje descender en punto muerto.
32. Evite el arranque y la parada en pendientes. Evite los cambios bruscos de velocidad o dirección. Haga los giros de forma lenta y gradual.
33. Tenga mucho cuidado cuando utilice la herramienta con un recogedor de hierba y otros accesorios. Podrían afectar a la estabilidad de la herramienta.
34. Apague todos los cigarrillos, cigarros, pipas u otras fuentes de ignición.
35. No almacene la herramienta ni el recipiente de combustible, ni reposte combustible, en un lugar en el que haya una llama abierta, chispas o una luz piloto, como un calentador de agua u otros aparatos.
36. Cuando cargue o descargue la herramienta para transportarla, utilice rampas lo bastante anchas.

INSTRUCCIONES DE SEGURIDAD

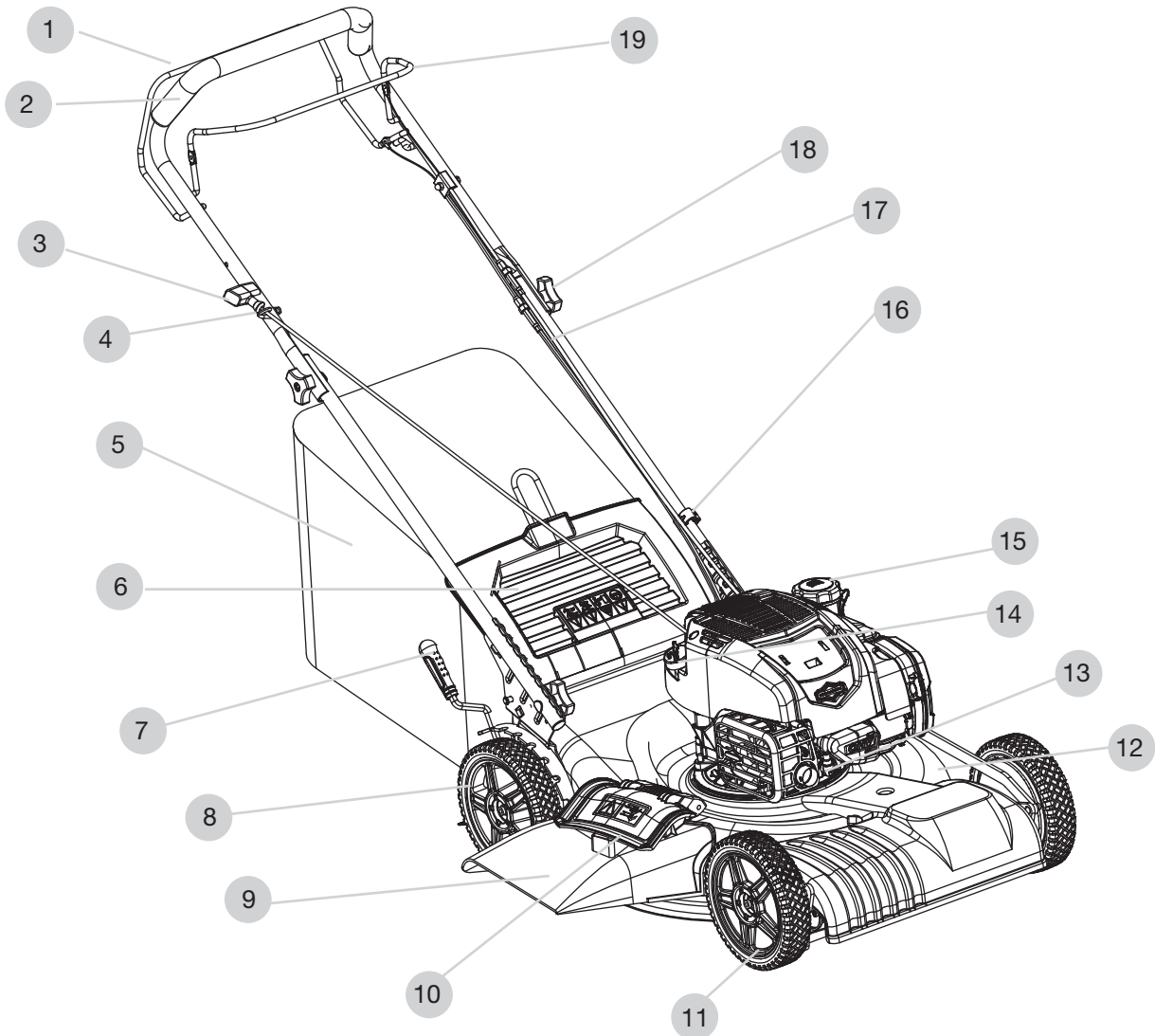
MANTENIMIENTO Y ALMACENAMIENTO

1. Mantenga todas las tuercas, los pernos y los tornillos apretados para garantizar unas condiciones de trabajo seguras.
2. No guarde nunca el aparato con gasolina dentro del depósito en un edificio en el que los vapores puedan alcanzar una llama abierta o una chispa.
3. Espere a que el motor se haya enfriado antes de guardarlo en algún espacio cerrado.
4. Para reducir el riesgo de incendio, mantenga el motor, el silenciador, el compartimento de la batería y el área de almacenamiento de la gasolina libres de grasa, hojas, o exceso de grasa.
5. Compruebe frecuentemente que el recogedor de hierba no está desgastado ni deteriorado.
6. Por seguridad, sustituya todas las piezas que estén desgastadas o dañadas.
7. Cuando haya que vaciar el depósito de combustible, deberá hacerse en exteriores.

LISTA DE PIEZAS

FAMILIARÍCESE CON EL CORTACÉSPED

Fig. 1



LISTA DE PIEZAS

- 1 Barra de control de la autopropulsión
- 2 Mango superior
- 3 Mango de arranque del motor
- 4 Guía de la cuerda
- 5 Bolsa colectora de hierba
- 6 Tapa de la tolva trasera
- 7 Mango de ajuste de la altura
- 8 Rueda trasera
- 9 Tolva de descarga lateral (extraíble)
- 10 Tapa de descarga lateral
- 11 Rueda delantera
- 12 Cubierta de corte
- 13 Tapa de la bujía
- 14 Tapa de aceite del motor
- 15 Tapón de llenado de gasolina
- 16 Pinza del cable
- 17 Mango inferior
- 18 Tuerca y tornillo del mango
- 19 Barra de control de encendido/apagado del motor

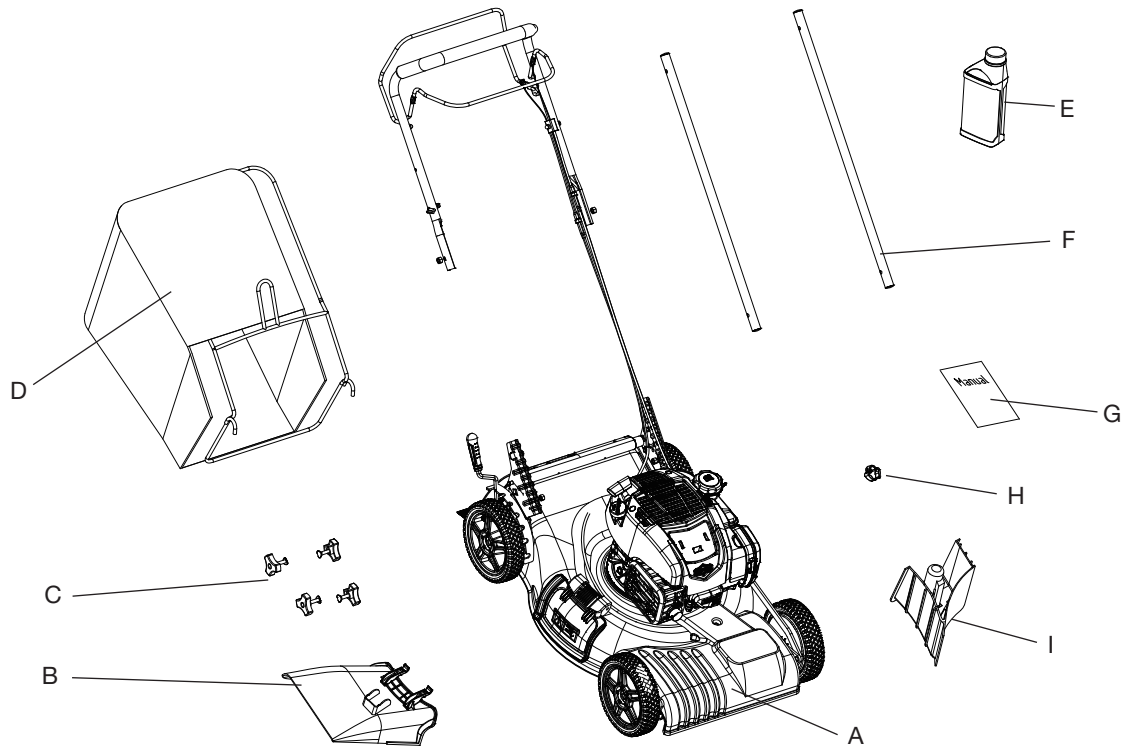
LISTA DE PIEZAS

Con cuidado, saque el cortacésped del embalaje y compruebe que las piezas siguientes están incluidas:

- A. Cubierta principal del cortacésped (con el mango superior) 1 ud.
- B. Tolva de descarga lateral 1 ud.
- C. Tuerca y tornillo del mango 4 juegos
- D. Bolsa colectora de hierba con soporte 1 juego.
- E. Aceite de motor (SAE 30 15 oz.) 1 ud.
- F. Barra inferior del mango 2 uds.
- G. Manual 1 ud.
- H. Pinza del cable 1 ud.
- I. Tapa de trituración (dentro del cortacésped) 1 ud.

LISTA DE PIEZAS

Fig. 2



¡ADVERTENCIA!

Si alguna pieza falta o está rota, no utilice el cortacésped hasta haber sustituido dichas piezas.

Si no se tiene en cuenta esta advertencia, pueden producirse lesiones graves.



NOTA:

Recicle siempre el embalaje cumpliendo las normas locales sobre reciclaje.



¡ADVERTENCIA!

Para sacar el aparato del embalaje se requieren dos personas. Asegúrese de tener suficiente espacio para dejar el cortacésped en el suelo. Separe los pies para poder tener una posición estable, doble las rodillas y mantenga la espalda recta.

USO PREVISTO

Este cortacésped a gasolina ha sido diseñado para cortar el césped en zonas residenciales.

La herramienta solo debe utilizarse para el uso previsto. Cualquier otro uso se considerará un uso indebido. El usuario, y no el fabricante, será responsable de cualquier tipo de daños o lesiones que pudieran derivarse de ello.

Tenga en cuenta que este equipo no ha sido diseñado para uso comercial o aplicaciones industriales.

Nuestra garantía se anulará si se utiliza la herramienta en negocios comerciales o industriales, o para fines equivalentes.

ESPECIFICACIONES TÉCNICAS

ESPECIFICACIONES TÉCNICAS

Tipo de motor	De un cilindro y de 4 tiempos
Cilindrada	150 cc
Velocidad del motor	3100±100 rpm
Trayectoria de corte	21" (53 cm)
Capacidad de la bolsa colectora de hierba	16 galones (60 l)
Ajustes de la altura	1,25" - 3,75" (32-95 mm)
Diámetro de la rueda delantera	8" (20 cm)
Diámetro de la rueda trasera	8" (20 cm)

MONTAJE



¡PRECAUCIÓN! Lea el MANUAL DE INSTRUCCIONES completo antes de utilizar esta herramienta.
¡IMPORTANTE! ESTE CORTACÉSPED SE ENVÍA SIN ACEITE NI GASOLINA EN EL MOTOR.

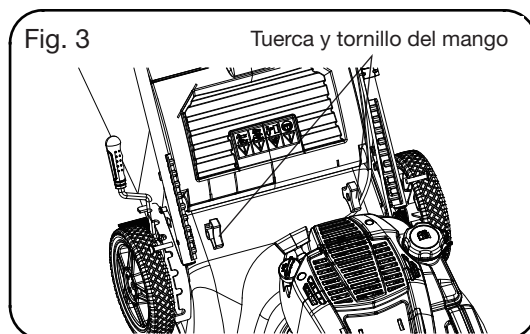
Su nuevo cortacésped ha sido montado en la fábrica, excepto las piezas que se han dejado sin montar para el transporte. Todas las piezas, como tuercas, arandelas, tornillos, etc., necesarias para completar el montaje se han colocado en bolsas de piezas. Para asegurar un funcionamiento seguro y correcto del cortacésped, todas las piezas y el equipo que monte usted deben estar apretados de forma segura. Use las herramientas correctas para asegurar que estén bien apretados.

PARA SACAR EL CORTACÉSPED DE LA CAJA

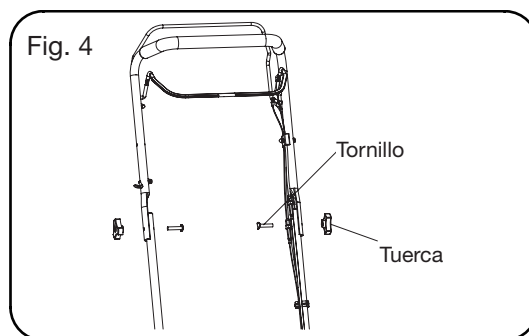
1. Quite las piezas sueltas que se envían con el cortacésped.
2. Corte dos esquinas de los extremos de la caja y coloque plano el panel final en el suelo.
3. Quite todo el material de embalaje, excepto el acolchado entre el mango superior y el inferior, y el acolchado que sujeta las barras de control al mango superior.
4. Saque el cortacésped de la caja haciéndolo rodar, y compruebe si hay más piezas sueltas en la caja.

MONTAJE DEL MANGO

Como se muestra en las Fig. 3 y 4



MONTAJE

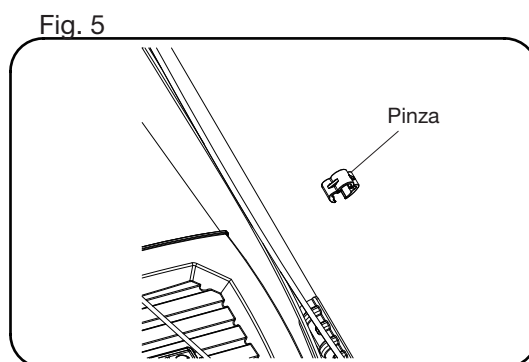


IMPORTANTE: Despliegue el mango con cuidado de no se pellizquen ni se dañen los cables de control.

1. Sujete el mango inferior a la cubierta del cortacésped utilizando 1 tuerca y 1 tornillo de cabeza arqueada a cada lado.
2. Despliegue el mango superior y sujételo al mango inferior utilizando 1 tuerca y 1 tornillo a cada lado.

ENGANCHAR LOS CABLES DE CONTROL EN EL MANGO

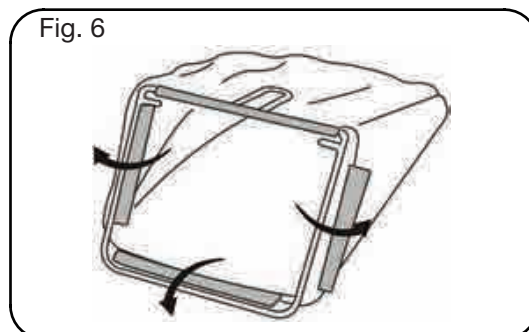
Como se muestra en la Fig. 5



Sujete el cable de control al mango utilizando la pinza (incluida).

MONTAJE DE LA BOLSA COLECTORA DE HIERBA

Como se muestra en la Fig. 6

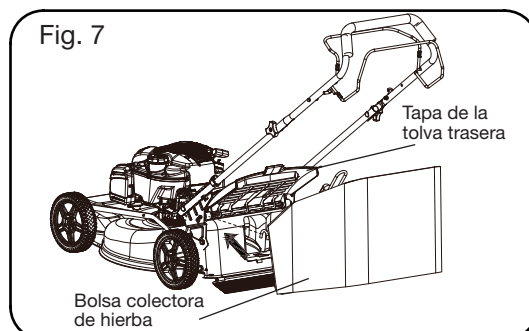


1. La bolsa de césped viene parcialmente ensamblada. Asegúrese de que el asa del marco esté fuera de la parte superior de la bolsa.
2. Deslice las uniones de vinilo por encima del marco.

MONTAJE

INSTALAR LA BOLSA COLECTORA DE HIERBA EN EL CORTACÉSPED

Como se muestra en la Fig. 7

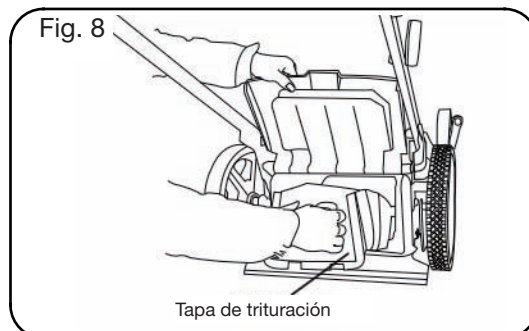


NOTA: No instale ni quite nunca la bolsa colectora de hierba, la tapa de trituración ni la tolva de descarga lateral cuando el motor esté en marcha.

1. Levante la tapa de la tolva trasera con una mano, y enganche la bolsa colectora de hierba. Asegúrese de haber quitado la tapa de trituración.
2. Suelte la tapa de la tolva trasera para sujetar la bolsa colectora de hierba en su posición.

INSTALAR LA TAPA DE TRITURACIÓN

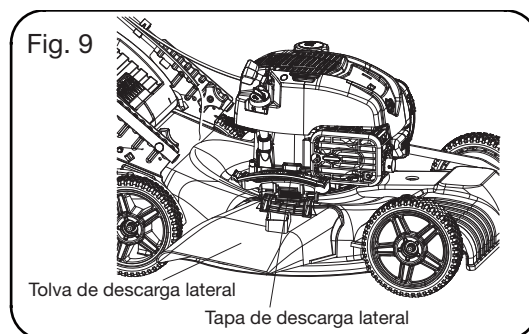
Como se muestra en la Fig. 8



1. Quite la bolsa colectora de hierba.
2. Empuje la tapa de trituración en la tolva de descarga, hasta que quede bloqueada en su posición.
3. Suelte la tapa de la tolva trasera. Se cerrará para cubrir la tapa de trituración.

INSTALACIÓN DE LA TOLVA DE DESCARGA LATERAL

Como se muestra en la Fig. 9



MONTAJE



NOTA: Para cambiar la descarga lateral, quite la bolsa colectora de hierba e inserte la tapa de trituración.

1. Levante con una mano la tapa de descarga lateral y enganche la tolva de descarga lateral con la otra mano.
2. Suelte la tapa de descarga lateral para que la tolva quede sujeta en su posición.

COMPROBACIÓN Y LLENADO DEL ACEITE DE MOTOR

Como se muestra en las Fig. 10 y 11



¡PRECAUCIÓN! Hay que hacer los procedimientos y ajustes siguientes antes de arrancar el motor. No intente hacer ninguno de estos ajustes si el motor está en marcha.



¡PRECAUCIÓN! El motor se envía sin aceite y sin gasolina para evitar que se dañe. El motor debe llenarse con gasolina y aceite del grado correcto antes de arrancarlo.



¡NOTA! Si se usa el motor con un nivel de aceite bajo se daña el motor. Se recomienda utilizar aceite detergente de motor de 4 tiempos de primera calidad. El uso de aceite no detergente puede reducir la vida útil del motor, y el aceite para motor de 2 tiempos provocará daños en el motor.

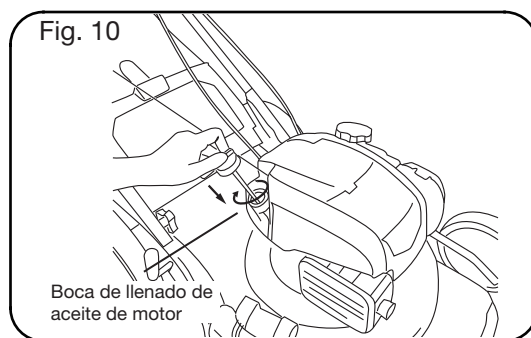


¡PRECAUCIÓN! Use siempre aceite detergente de alta calidad con clasificación SAE30 (o equivalente como SAE 5W-30, llamado a menudo aceite para cortacésped de 4 tiempos). No use nunca aditivos con el aceite recomendado. El motor es del tipo «Comprobar y añadir», y no hay que cambiar nunca el aceite.



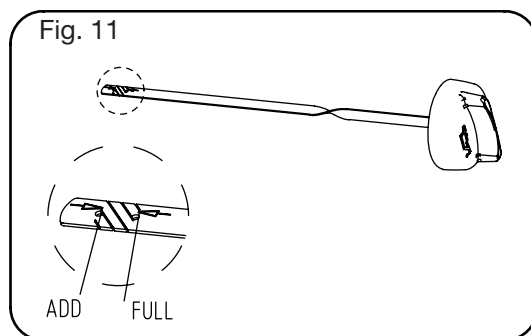
NOTA: Para comprobar el nivel de aceite del motor, pare el motor y coloque el cortacésped sobre una superficie plana.

1. Quite la varilla del nivel de aceite y limpie el aceite con un paño limpio (ver Fig. 10).



2. Inserte la varilla en la boca de llenado de aceite, pero no la enrosque.
3. Quite la varilla y compruebe el nivel de aceite: el nivel de aceite debe estar entre las marcas "Min." y "Max." de la varilla. Si está cerca del nivel mínimo, llene hasta el nivel máximo con el aceite recomendado (SAE30 o equivalente). No lo llene en exceso. Limpie el aceite que se derrame (ver Fig. 11).







MONTAJE



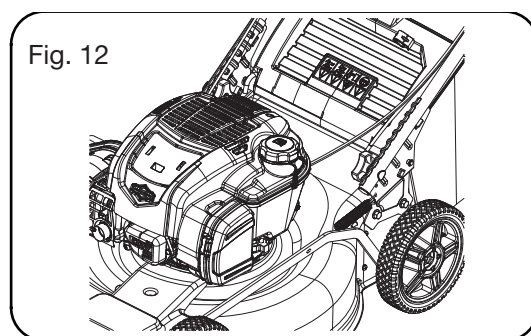
4. Coloque la varilla del nivel de aceite y apriétela a mano.
5. Antes de usarlo por primera vez, añada como máximo 15 oz (aprox. 440 ml) de aceite (SAE 30, incluido).

LLENADO CON ACEITE DE MOTOR

Como se muestra en la Fig. 12

-  **¡PRECAUCIÓN!** Use siempre gasolina limpia, fresca y sin plomo. Compre combustible en cantidades que se puedan usar dentro de un plazo de 30 días. No mezcle nunca aceite y gasolina.
-  **¡PRECAUCIÓN!** No llene hasta la base de la boca de llenado, para permitir la expansión del combustible. No llene demasiado el depósito de combustible.
-  **¡PRECAUCIÓN! ¡ADVERTENCIA!** La gasolina es muy inflamable, por lo que deben extremarse las precauciones cuando se la manipule y se trabaje con ella. Mantener fuera del alcance de los niños.
-  **¡PRECAUCIÓN!** El motor se envía sin aceite y sin gasolina para evitar que se dañe. El motor debe llenarse con gasolina y aceite del grado correcto antes de arrancarlo.
-  **¡ADVERTENCIA!** Llene el depósito de combustible en una zona bien ventilada y con el motor parado. No fume y no permita que haya llamas o chispas en el área en la que se reposta o donde se guarda la gasolina. Evite el contacto repetido o prolongado con la piel y la inhalación de vapor.
-  **¡ADVERTENCIA!** Es admisible la gasolina que tenga hasta un 10 % de etanol (gasohol). No use gasolina no autorizada, como E15 y E85.

1. Limpie el área alrededor del tapón de llenado de gasolina antes de quitar el tapón. Quite la etiqueta de advertencia y compruebe el nivel de combustible (ver Fig. 12).

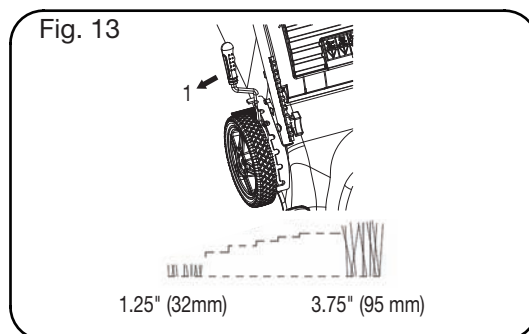


MONTAJE

2. Llène el depósito de combustible si el nivel es bajo.
3. Reposte con cuidado para evitar llenarlo excesivamente o que se derrame combustible.
No debe haber combustible en la boca de llenado.
4. Si se desborda la gasolina o salpica, límpiela antes de arrancar el motor.
5. Enrosque bien el tapón después de repostar, apretando solo con los dedos.

AJUSTE DE LA ALTURA DE CORTE

Como se muestra en la Fig. 13



¡PRECAUCIÓN! Ajuste la altura de corte solo cuando el motor no esté en marcha.

NOTA: Es posible que la altura de corte no esté ajustada a la posición de corte, debido a las condiciones de envío. Antes de usar el cortacésped, ajuste la altura de corte a la posición de corte normal.

La altura de corte se ajusta centralmente con la palanca de ajuste de la altura. Se pueden seleccionar distintas alturas de corte.

Tire hacia fuera la palanca de ajuste de la altura y seleccione la altura de corte que desee. La palanca se engancha en la posición seleccionada.

Desde la posición 1 a la posición 7, las alturas de corte varían de 1,25" a 3,75" (de 32 a 95 mm).

AJUSTE DE LA FUNCIÓN REQUERIDA



NOTA: Este cortacésped tiene tres funciones. Para cambiar de función, hay que cambiar los accesorios instalados, como se muestra en la tabla siguiente.

Para adaptar el cortacésped	Tapa de trituración	Bolsa colectora de hierba	Tolva de descarga lateral
Para recogida trasera en bolsa	x	√	x
Para triturado	√	x	x
Para descarga lateral	√	x	√

«√»: instalada «x»: desinstalada

MODO DE EMPLEO

ARRANCAR Y PARAR EL MOTOR



ADVERTENCIA: La cuchilla empieza a girar en cuanto se arranca el motor.



NOTA: No utilice el cortacésped en áreas cerradas o mal ventiladas, ya que el gas de escape contiene sustancias tóxicas.

Mantenga las manos, los pies, el pelo y la ropa alejados de las piezas móviles de la máquina. El gas de escape y otras piezas de la máquina se calientan mucho durante el uso.



Asegúrese de que la cuchilla esté instalada de forma segura antes de arrancar el motor.

NOTA: Para arrancar el motor, asegúrese de que el tapón de la bujía esté conectado a la bujía y de que la máquina esté llena con suficiente aceite y gasolina.

ARRANCAR EL MOTOR

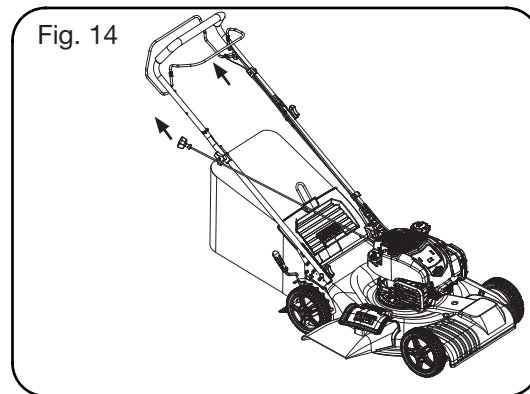


NOTA: Debido al recubrimiento protector del motor, puede producirse una pequeña cantidad de humo cuando se utiliza el cortacésped por primera vez. Esto es normal.



NOTA: El motor está equipado con un sistema de estérter automático. No es necesario cebarlo antes de arrancar.

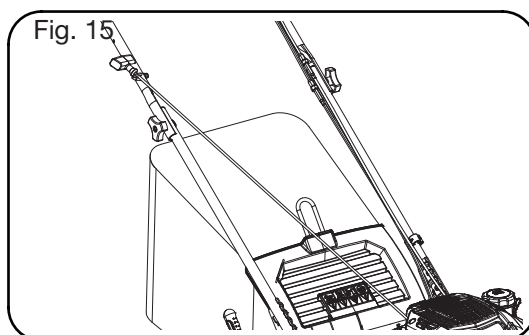
1. Este motor está equipado con un sistema de estérter automático. No es necesario cebarlo antes de arrancar el cortacésped.
2. Colóquese detrás del cortacésped. Tire de la barra de control de encendido/apagado del motor hacia el mango superior con una mano, y coloque la otra mano sobre el mango de arranque del motor.
3. Tire del mango de arranque aproximadamente de 4" a 6" (14 a 15 cm) hasta que note una resistencia y, a continuación, arranque el motor con un tirón fuerte (ver Fig. 14). NO deje que el cordón de arranque salta hacia atrás.



NOTA: Si el motor no arranca después de tirar tres veces, repita el proceso.

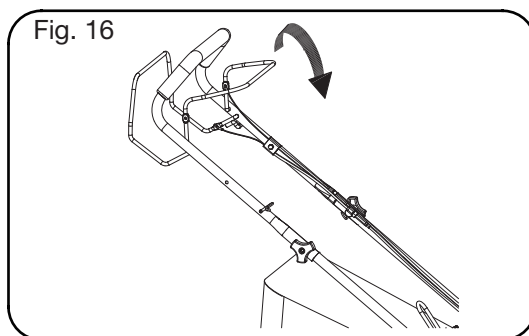
MODO DE EMPLEO

4. Cuando el motor ya está en marcha, coloque el cordón de arranque en la guía de la cuerda (ver Fig. 15).



PARAR EL MOTOR

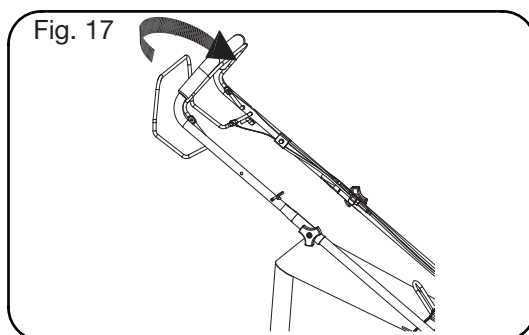
Como se muestra en la Fig. 16



Suelte la barra de control de encendido/apagado del motor. Regresará a la posición inicial y el motor se apagará automáticamente.

CONTROL DE ACCIONAMIENTO

Como se muestra en la Fig. 17



1. La autopropulsión se controla manteniendo la barra de control de encendido/apagado del motor hacia el mango, y empujando la barra de autopropulsión hacia el mango.
2. Para detener la función de avance sin que se pare el motor, suelte la barra de control de la autopropulsión, pero siga manteniendo la barra de control de encendido/apagado del motor contra el mando, de modo que el aparato siga cortando el césped sin activar la función de autopropulsión.



NOTA: Mantenga siempre la barra de control de la autopropulsión completamente contra el mango principal. El funcionamiento con la barra de autopropulsión alejada del mango principal provocará daños en la transmisión.



NOTA: Después de soltar la barra de autopropulsión, si el cortacésped no se desplaza hacia atrás, empuje ligeramente el cortacésped hacia delante para desengranar las ruedas motrices.

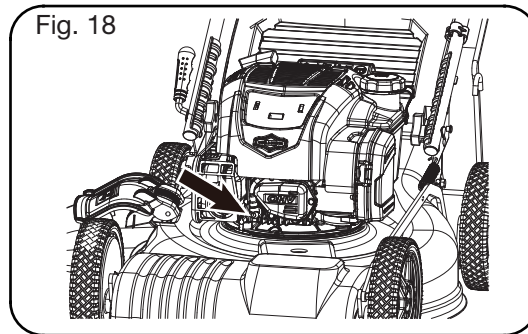
MODO DE EMPLEO

LIMPIAR UN MOTOR AHOGADO

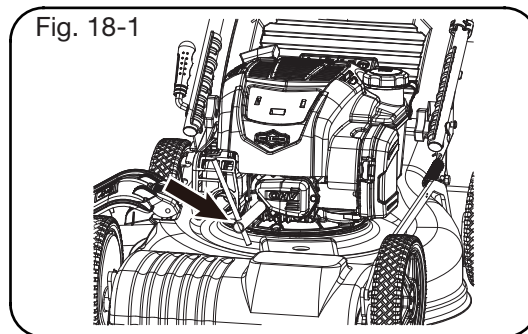


NOTA: Si el motor no arranca después de haber accionado varias veces el arranque, puede que el motor esté ahogado por el exceso de combustible. Realice el procedimiento siguiente para limpiar y arrancar un motor ahogado:

1. Suelte la barra de control de encendido/apagado del motor para parar el motor.
2. Quite la bujía, séquela y vuelva a instalarla.
 - (1) Quite el tapón de la bujía (ver Fig. 18).



- (2) Utilice una llave de vaso para bujías (no incluida) para quitar la bujía (ver Fig. 18-1).



- (3) Después de secarla, apriete la bujía.



NOTA: Instale la bujía con cuidado a mano, para evitar que se dañe la rosca. Una vez colocada la bujía, apriete de 1/8 a 1/4 de vuelta con una llave de vaso para bujías, para comprimir la arandela.

3. Tire de la barra de control de encendido/apagado del motor hacia el mango superior.
4. Accione el arranque como se ha descrito arriba.

MODO DE EMPLEO

CORTAR EL CÉSPED



ADVERTENCIA: Observe siempre estrictamente los procedimientos de seguridad cuando utilice un cortacésped.

Lea atentamente las instrucciones de seguridad de este manual antes de usar el cortacésped.



ADVERTENCIA: No abra nunca la tapa de la descarga trasera cuando esté desmontada la bolsa para hierba (para vaciarla) y el motor todavía esté en marcha. ¡Mientras gira, la cuchilla puede provocar lesiones graves!

1. Seleccione los ajustes de función y de altura que requiera.
2. Arranque el motor y deje que marche.
Consulte el apartado «Arrancar el motor».
3. Agarre firmemente el mango superior con la barra de control de encendido/apagado del motor y la barra de control de la autopropulsión cerradas, y camine a la velocidad de la autopropulsión para empezar a cortar el césped.

CONSEJOS

1. Desplácese caminando, no corra nunca con el cortacésped, y tenga mucho cuidado cuando corte en terreno irregular o abrupto.
2. Corte el césped desplazándose perpendicularmente a la pendiente y nunca cuesta arriba o cuesta abajo.
3. Tenga cuidado cuando cambie la dirección del cortacésped en una pendiente.
4. No corte el césped en pendientes excesivamente pronunciadas.
5. Se consigue el mejor resultado si el césped está seco. El césped mojado tiene tendencia a atascar la cuchilla y el sistema de recogida de hierba.
6. El césped crece a diferentes velocidades según la época del año. No utilice nunca la altura de corte más baja para el primer corte de la temporada o en condiciones de sequía.
7. Solo debería cortarse un tercio de la altura del césped.
8. No corte hierba alta o mojada cuando triture, para asegurarse de que la hierba cortada se pueda dispersar eficazmente. Cuando haya estado cortando durante varios minutos, pare el cortacésped y limpie la cuchilla y la cubierta.
9. No quite los restos de hierba de la carcasa del cortacésped ni de la cuchilla con la mano ni con los pies. En lugar de ello, utilice herramientas adecuadas, como un cepillo o una escoba.

VACIAR LA BOLSA COLECTORA DE HIERBA

Cuando observe que queda un rastro de recortes de hierba al pasar el cortacésped, deberá vaciar la bolsa colectora de hierba.



NOTA: Antes de quitar la bolsa colectora de hierba, pare el motor y espere hasta que la cuchilla se detenga completamente.

1. Para quitar la bolsa colectora de hierba, levante con una mano la tapa de la tolva trasera y, con la otra mano, sujete el asa de la bolsa colectora de hierba. La tapa de la tolva trasera baja automáticamente después de quitar la bolsa colectora de hierba, y cierre el orificio de la tolva trasera.
2. Vacíe los restos de hierba de la bolsa colectora de hierba y vuelva a instalar la bolsa.



NOTA: Si hay restos de hierba atrapados en la tolva de descarga, límpielos con un cepillo. No quite los restos de hierba de la carcasa del cortacésped ni de la cuchilla con la mano ni con los pies. En lugar de ello, utilice herramientas adecuadas, como un cepillo o una escoba. Para asegurarse de que la hierba cortada se pueda recoger en la bolsa, hay que eliminar cualquier obstrucción de la abertura de descarga y del interior de la carcasa del cortacésped.

MANTENIMIENTO Y ALMACENAMIENTO



ADVERTENCIA: Antes de hacer trabajos de mantenimiento o limpieza, apague el motor y espere hasta que la cuchilla se haya parado.

LIMPIEZA

LIMPIEZA GENERAL

El cortacésped debería limpiarse a fondo después de cada uso. Limpie siempre el cortacésped inmediatamente después de usarlo.

No deje que se sequen y endurezcan los recortes de hierba ni otros residuos en ninguna de las superficies del cortacésped.

Los restos de suciedad y hierba seca pueden afectar al funcionamiento del cortacésped.

Compruebe que no haya restos de hierba en la tolva. Elimine todos los residuos de este tipo. Compruebe la parte de abajo del cortacésped y el soporte de la cuchilla. Para comprobarlo, incline el cortacésped hacia el lado izquierdo (el lado contrario a la boca de llenado de aceite).

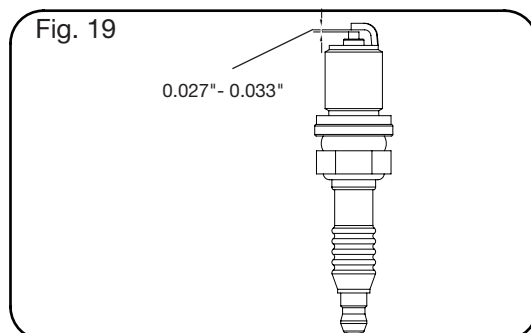


NOTA: Antes de poner de lado el cortacésped, vacíe totalmente el depósito de combustible con una bomba de extracción de gasolina.

No incline el cortacésped más de 90 grados.

MANTENIMIENTO DE LA BUJÍA

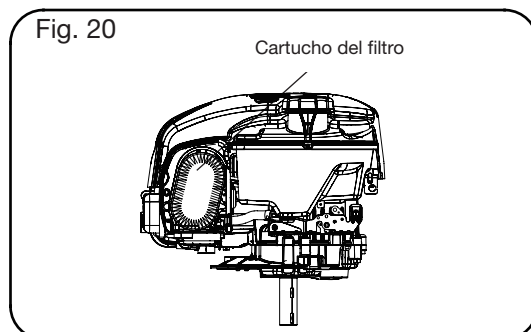
Como se muestra en la Fig. 19



1. Una vez que el motor se ha enfriado, tire del tapón de la bujía con un giro.
2. Quite la bujía utilizando una llave de bujías (no incluida).
3. Limpie la bujía con un cepillo de alambre (no incluido).
4. Utilice una galga para ajustar el hueco de 0,027" a 0,033" (de 0,686 a 0,838 mm).
5. Instale la bujía con cuidado a mano, para evitar que se dañe la rosca.
6. Una vez colocada la bujía, apriete con la llave de bujías para comprimir la arandela.

MANTENIMIENTO DEL FILTRO DE AIRE

Como se muestra en la Fig. 20



MANTENIMIENTO Y ALMACENAMIENTO

Si el filtro de aire está sucio, se reduce el rendimiento del motor debido a la restricción del aire al carburador. Si el aire contiene mucho polvo, será necesario comprobar con más frecuencia el filtro de aire.



¡ADVERTENCIA! No ponga nunca en marcha el motor sin el elemento del filtro de aire instalado.

1. Presione las pestañas en la parte superior de la cubierta del filtro de aire, e incline la cubierta hacia fuera del motor para quitarla.
2. Saque el cartucho del filtro.
3. Para soltar los residuos, golpee con cuidado el cartucho del filtro contra una superficie dura. Si el cartucho del filtro está excesivamente sucio, cámbielo por uno nuevo.



Nota: No limpie nunca el cartucho del filtro de aire con gasolina ni con disolventes inflamables. Limpie el cartucho del filtro solo con aire comprimido o golpeándolo.

4. Instale el cartucho del filtro.
5. Cierre la cubierta y sujétela correctamente engancho las pestañas de nuevo en las ranuras correspondientes de la parte superior.

COMPROBAR Y AÑADIR ACEITE DE MOTOR

El motor Briggs & Stratton 625EXi de este cortacésped ha sido realizado con la función especial «Check & Add»™(Comprobar y añadir). No es necesario cambiar nunca el aceite. Antes de cada uso, compruebe el nivel de aceite y añada más aceite en caso de que el nivel no esté entre las marcas «Min» y «Max».

CAMBIAR LA CUCHILLA

Por razones de seguridad, la cuchilla solo deberá afilarse, equilibrarse y montarse en un taller de servicio autorizado. Para obtener resultados óptimos, se recomienda inspeccionar la cuchilla una vez al año.



¡ADVERTENCIA! Antes de quitar la bolsa colectora de hierba, pare el motor y espere hasta que la cuchilla se detenga completamente.



¡ADVERTENCIA! Necesitará guantes de jardín (no incluidos) y una llave de tuercas (no incluida) para quitar la cuchilla.



¡NOTA! No ponga el cortacésped en posición invertida. Inclínelo ligeramente hacia el tubo de llenado de aceite y agarre por debajo de la cubierta.



¡ADVERTENCIA! Tenga cuidado siempre cuando manipule la cuchilla; los bordes afilados podrían provocar lesiones. USE GUANTES. Cambie la cuchilla metálica al cabo de 50 horas de corte de césped o de 2 años, lo que se produzca primero, independientemente el estado en que se encuentre.



¡ADVERTENCIA! Si la cuchilla está agrietada o dañada, cámbiela por una nueva.



¡ADVERTENCIA! No sujete la cuchilla directamente con la mano.



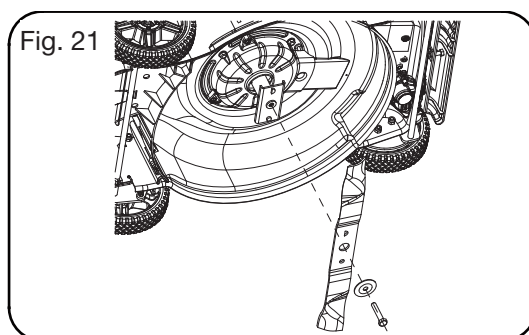
¡NOTA! Mantenga la cuchilla afilada cuando corte césped. Si la cuchilla está excesivamente desgastada y se vuelve picada y roma, hay que cambiarla o afilarla. El grado de afilado de la cuchilla afectará al rendimiento del cortacésped.

MANTENIMIENTO Y ALMACENAMIENTO

Por razones de seguridad, recomendamos que la cuchilla la cambie solo una persona calificada y autorizada para ello.

Sujete la cuchilla y desenrosque el tornillo de la cuchilla en sentido antihorario, utilizando una llave de tuercas. Quite la arandela y la cuchilla.

Afile la cuchilla o instale una nueva. Coloque la cuchilla sobre los dos tacos en la brida de la cuchilla, y vuelva a poner la arandela y los pernos. Asegúrese de que la cuchilla esté colocada en la posición correcta y, a continuación, apriete el perno firmemente. No lo apriete demasiado. El giro hacia arriba de la cuchilla debe proyectarse dentro del compartimento del motor.



ALMACENAMIENTO DEL CORTACÉSPED DURANTE PERIODOS CORTOS

El cortacésped se puede guardar durante periodos cortos (menos de 15 días) sin necesidad de hacer ningún mantenimiento de almacenamiento. Antes de colocar el cortacésped en el lugar de almacenamiento, haga siempre lo siguiente:

1. Deje que el motor se enfríe completamente.
2. Compruebe que la bolsa colectora de hierba está vacía.
3. Limpie todos los residuos que haya debajo de la cubierta del cortacésped.
4. Guarde el cortacésped en una superficie plana y nivelada, con el aparato en vertical.
5. Guárdelo en un lugar seguro al que no puedan acceder los niños o las personas que no estén familiarizadas con el manejo del cortacésped.

ALMACENAMIENTO DEL CORTACÉSPED DURANTE PERIODOS LARGOS

Si se va a almacenar el cortacésped durante más de 15 días, hay que hacer el mantenimiento de almacenamiento. Si no se realizan los pasos siguientes, es posible que el cortacésped no arranque correctamente la próxima vez que lo utilice y que tenga que repararlo.



¡PRECAUCIÓN! No vacíe el depósito de gasolina en áreas cerradas, cerca de fuego o cuando esté fumando. Los vapores de la gasolina pueden provocar explosiones e incendios.

1. Vacíe el depósito de gasolina con una bomba de aspiración, si dispone de ella.
2. Arranque el motor y déjelo en marcha hasta que se haya consumido toda la gasolina restante.
3. Limpie las aletas de refrigeración del cilindro y la carcasa.
4. Asegúrese de limpiar la máquina completa para proteger la pintura.
5. Guarde la máquina en un lugar bien ventilado.

MANTENIMIENTO Y ALMACENAMIENTO

PROGRAMA DE MANTENIMIENTO

Realice correctamente la rutina de mantenimiento en el cortacésped para poder usarlo sin incidentes durante años. Guarde bien este manual para poder consultarlo en el futuro.

Se recomienda cumplir el siguiente programa de mantenimiento. De este modo se asegurará el funcionamiento correcto y seguro del cortacésped.

	12 horas de uso	24 horas de uso	36 horas de uso
Filtro de aire	Limpiar	Limpiar	Limpiar
Bujía	Comprobar	Limpiar	Limpiar
Aceite de motor	Comprobar	Comprobar y añadir	Comprobar y añadir

TRANSPORTAR EL CORTACÉSPED

Vacíe el depósito de gasolina. Deje siempre el motor en marcha hasta que se haya consumido la gasolina que quede en el depósito.

Vacíe el aceite del motor caliente. Quite el tapón de la bujía. Limpie las aletas de refrigeración del cilindro y la carcasa. Siempre que sea posible, use el embalaje original para el transporte.

SOLUCIÓN DE PROBLEMAS



ADVERTENCIA: Antes de hacer trabajos de mantenimiento o limpieza, apague el motor y espere hasta que la cuchilla se haya parado.



¡Precaución!

Las reparaciones incorrectas pueden provocar que el aparato no funcione de manera segura. Esto constituye un peligro para usted y su entorno.

En caso de que las averías no puedan solucionarse con ayuda de la tabla siguiente, deberá solicitar servicio técnico a un centro de reparaciones de Yard Force o Briggs & Stratton.

Tenga en cuenta que las reparaciones incorrectas también anularán la garantía y podrían producir costes adicionales.

Utilice solo piezas de recambio originales. Solo dichas piezas de recambio han sido diseñadas y son adecuadas para este cortacésped. El uso de otras piezas de recambio no solo anula la garantía, sino que además podría ponerle en peligro a usted y a su entorno.

Fallo/avería	Causa	Solución
La máquina hace mucho ruido cuando funciona, y vibra demasiado.	Los tornillos están flojos. Los dispositivos de sujeción de la cuchilla están flojos. La cuchilla está desequilibrada.	Apriete los tornillos. Compruebe los dispositivos de sujeción de la cuchilla. Cambie la cuchilla.
El motor no arranca.	No se ha presionado la barra de control de encendido/apagado del motor. La bujía está defectuosa. La cuchilla está desgastada o dañada. El depósito de combustible está vacío. El motor podría estar ahogado.	Presione la barra de control de encendido/apagado del motor. Cambie la bujía. Deberá cambiarla el centro de servicio postventa. Reposte combustible. Quite la bujía y séquela.
El motor marcha de forma inestable.	El filtro de aire está sucio. La bujía está sucia.	Afile la cuchilla. Ajuste la altura correcta.
Resultados de corte irregulares.	La cuchilla está poco afilada. La altura de corte es demasiado baja.	Afile la cuchilla. Ajuste la altura correcta.
La bolsa colectora de hierba no se llena lo suficiente.	Cuchilla desgastada. La bolsa colectora de hierba está obstruida. La altura de corte no es adecuada. El césped está mojado. Está bloqueado el canal de descarga o la carcasa. Está atascada la parte de abajo del cortacésped.	Cambie la cuchilla. Vacíe la bolsa colectora de hierba. Corrija la altura de corte. Espere hasta que el césped esté seco. Limpie el canal de descarga o la carcasa. Limpie la parte de abajo de la cubierta del cortacésped.

GARANTÍA

GARANTÍA DE YARD FORCE LIMITADA A DOS AÑOS

Garantía del producto

Guarde en un lugar seguro el recibo de compra original como justificante de compra. La cobertura de la garantía para este producto debe verificarse con el recibo de compra original. El periodo de garantía comienza el día en que se compró el producto a un distribuidor autorizado de productos Yard Force. La cobertura de la garantía solo se aplica al comprador original y no es transferible. La cobertura de la garantía se ofrece solo a productos comprados y utilizados en los EE.UU. y Puerto Rico a distribuidores Yard Force autorizados. Los productos comprados y utilizados fuera de los EE.UU. y Puerto Rico no están cubiertos por esta garantía.

Garantía de dos (2) años - Motor

El YF22-3N1SPF tiene una garantía limitada de 2 años a partir de la fecha de compra contra defectos de fabricación, solo en caso de uso doméstico. El uso comercial anula la garantía. Esta garantía no cubre daños accidentales, uso indebido, desgaste normal, negligencia o incumplimiento de las instrucciones de funcionamiento, seguridad y mantenimiento. Todos los trabajos de servicio técnico que no estén incluidos en el mantenimiento normal descrito en este manual deberá realizarlos un técnico autorizado. Todo servicio técnico no autorizado o los cambios de la configuración original de este producto anularán la garantía. Todas las piezas y accesorios utilizados con este producto deben estar fabricados y/o autorizados por Merotec Inc.

Garantía de noventa (90) días - Accesorios

Los accesorios incluidos con el YF22-3N1SPF, como la cuchilla y otras piezas similares, están garantizados contra defectos de fabricación en caso de uso doméstico, solo durante un periodo de 90 días a partir de la fecha de compra. La garantía no cubre la pérdida de uso ni otros daños derivados de lo anterior, ni tampoco cubre las reparaciones que realicen o intenten realizar personas no autorizadas. Esta garantía se anula en caso de que el producto se utilice para fines comerciales, de alquiler o industriales. Algunas piezas, accesorios y complementos están sometidos a un desgaste normal y están excluidos de la garantía.

Proceso de reclamación de garantía y servicio técnico

Póngase en contacto con el centro de soporte técnico de Yard Force a través del número gratuito **(866) 902-9690, de lunes a viernes, de 8:30 AM a 5:00 PM de la zona horaria del Este**, para solicitar servicio técnico y garantía.

Los agentes de servicio técnico de Yard Force USA pueden ayudarle a resolver problemas por teléfono, para que recupere la operatividad lo antes posible. En los casos en que sea necesaria una inspección de garantía o servicio técnico, procesa del modo siguiente:

1. Póngase en contacto con Yard Force USA a través del número **(866) 902-9690 o la dirección support@merotecusa.com de lunes a viernes, de 8:30 AM a 5:00 PM de la zona horaria del Este.**
2. Envíe el justificante de compra y el número de serie (si procede) para confirmar la cobertura de la garantía.
3. En caso de que se solicite una evaluación de garantía o servicio técnico, Yard Force USA le proporcionará un número RGA que deberá utilizar en todas las comunicaciones con Yard Force USA y, en caso necesario, una lista de centros de servicio técnico autorizados a los que puede llevar el cortacésped para su evaluación y reparación.
4. Todos los envíos a Yard Force USA deben llevar un número RGA. Todos los envíos recibidos que no lleven marcado claramente un número RGA en el exterior de la caja serán rechazados.
5. Todos los envíos deben realizarse a portes pagados. Yard Force USA no pagará gastos de envío para la evaluación de garantía o servicio técnico. Yard Force USA no es responsable de ningún paquete perdido por el transportista. Recomendamos realizar los envíos con un transportista que proporcione seguimiento y confirmación de entrega.

Para obtener más información o si desea plantear alguna pregunta, llame al teléfono gratuito **(866) 902-9690 o escriba a support@merotecusa.com, de lunes a viernes de 8:30 AM a 5:00 PM** del horario del Este.

GUARDE ESTAS INSTRUCCIONES



YARD FORCE[®]
OUTDOOR POWER EQUIPMENT

Need Help?

Please do not return the product to the place of purchase yet. We're here to help and take care of all your needs.



1-866-902-9690

Contact our customer service department for help with:

- Product assembly or use
- Missing or damaged parts
- Troubleshooting

You can also visit our website for typical FAQ's, downloadable troubleshooting steps and instructional videos. Replacement parts and accessories can be purchased at www.YardForceUSA.com, or call our toll free hotline: 1-866-902-9690 M-F 8:30am – 5:00pm ET



www.YardForceUSA.com

¿Necesita ayuda?

Por favor, todavía no devuelva el producto al lugar donde lo compró. Estamos aquí para ayudarle y atender todas sus necesidades.

Póngase en contacto con el departamento de servicio al cliente para ayuda con:

- Montaje o uso del producto
- Piezas faltantes o dañadas
- Resolución de problemas

También puede visitar nuestro sitio web para ver las preguntas frecuentes, los pasos de resolución de problemas descarga abrir y videos tutoriales. Las piezas de recambio y los accesorios se pueden comprar en www.YardForceUSA.com, o llame sin costo a nuestra línea gratuita: 1-866-902-9690 L-V 8:30am - 5:00pm ET

Merotec Inc.

3655 Kennesaw North Industrial Parkway
Kennesaw, GA 30144
Copyright © 2019 Merotec Inc.

Hecho en China en instalaciones manufactureras de SUMEC