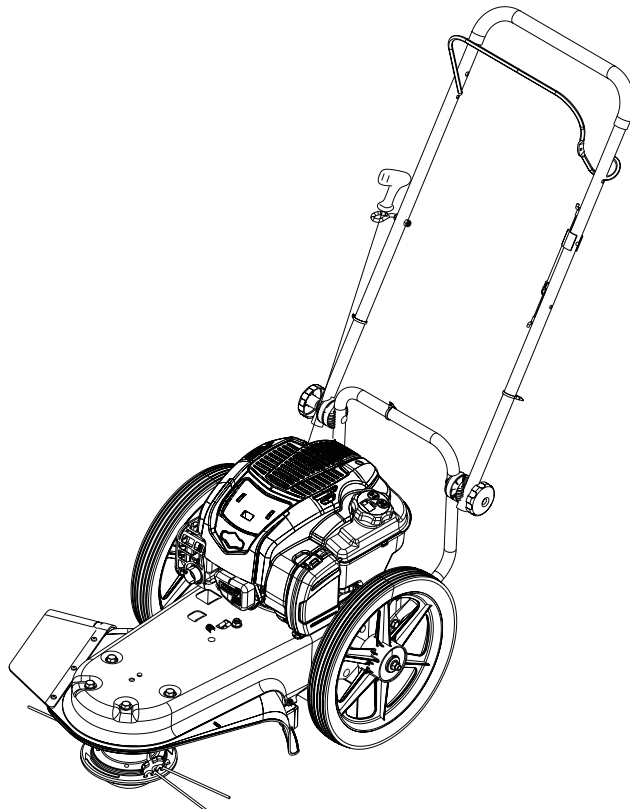




YARD FORCE[®]
OUTDOOR POWER EQUIPMENT

YF22-HWT

GAS-POWERED WALK-BEHIND TRIMMER OPERATOR'S MANUAL



*Our Customer Service staff is ready to provide assistance.
In the case of a damaged or missing part, most replacement parts ship from our facility.*

For immediate help with assembly, or for additional product information, visit www.YardForceUSA.com or email support@MerotecUSA.com



SAVE THIS MANUAL FOR REFERENCE



*You will need this manual for safety instructions, operating procedures, and Warranty.
The original sales receipt is required for warranty service.*

YARD FORCE

YF22-HWT Original Instructions

TABLE OF CONTENTS

Safety instructions	3
Parts list	6
Intended use	7
Technical specifications	8
Assembly	8
Operation	13
Maintenance and storage	16
Trouble shooting	21
Warranty	22

SAFETY INSTRUCTIONS

IMPORTANT

Please read these instructions fully before assembling and operating.

DESCRIPTION OF SYMBOLS

Symbols are used in this manual to attract your attention to possible risks. The safety symbols and the explanations which accompany them must be perfectly understood. The warnings themselves do not prevent the risks and cannot be a substitute for proper methods of avoiding accidents.

WARNING SYMBOLS ON THE MACHINE



Indicates WARNING, DANGER, or CAUTION.



Read operator's manual before operating this machine. Failure to follow directions could result in serious injury.



Thrown objects. Keep bystanders at least 50 ft (15 m) away. Do not use if children are present. Remove all objects which could be thrown by machine. Read operator's manual before operating this machine.



Do NOT trim up and down slopes. Trim across slopes.



Rotating parts can cause serious injury. Keep away from rotating parts. Stop engine and disconnect spark plug wire before making adjustments.



Wear eye protection complying with ANSI Z87.1 and hearing protection.



Disconnect spark plug wire before servicing unit.



Direction of rotating line.



Engine emits carbon monoxide. Do NOT run indoors or in enclosed area.



Do NOT touch hot muffler or cylinder. These parts are extremely hot from operation and may remain hot for a short time after operation.



To reduce risk of fire, clean spilled gas and oil and keep unit free from debris. Gasoline is extremely flammable. Allow machine to cool before refueling.

SAFETY INSTRUCTIONS

SAFETY INSTRUCTIONS

TRAINING

1. Read the instructions carefully. Be familiar with the controls and the proper use of the equipment.
2. Never allow children or people unfamiliar with these instructions to use the trimmer. Local regulations can restrict the age of the operator.
3. Never mow while people, especially children, or pets are nearby.
4. Keep in mind that the operator or user is responsible for accidents or hazards occurring to other people or their property.
5. Do not operate the machine while under the influence of alcohol or drugs.
6. Follow the manufacturer's recommendation for wheel weights or counterweights.
7. Stop the machine and attachment(s) if anyone enters the area.

PREPARATION

1. While trimming, always wear substantial footwear and long trousers. Do not operate the equipment when barefoot or wearing open sandals.
2. Thoroughly inspect the area where the equipment is to be used and remove all objects which can be thrown by the machine.
3. Warning - gas is highly flammable.
 - Store fuel in containers specifically designed for this purpose.
 - Refuel outdoors only and do not smoke while refueling.
 - Add fuel before starting the engine. Never remove the cap of the fuel tank or add gas while the engine is running or when the engine is hot.
 - If gas is spilled, do not attempt to start the engine but move the machine away from the area of spillage and avoid creating any source of ignition until gas vapours have dissipated.
 - Replace all fuel tank and container caps securely.
4. Replace faulty mufflers.
5. Before using, always visually inspect to see that bolts and cutter assembly are not worn or damaged. Replace worn or damaged bolts in sets to preserve balance.

OPERATION

1. Do not operate the engine in a confined space where dangerous carbon monoxide fumes can collect.
2. Mow only in daylight or in good artificial light.
3. Avoid operating the equipment in wet grass, where feasible.
4. Always be sure of your footing on slopes.
5. Walk, never run.
6. For wheeled rotary machines, mow across the face of slopes, never up and down.
7. Exercise extreme caution when changing direction on slopes.
8. Do not mow excessively steep slopes.
9. Use extreme caution when reversing or pulling the trimmer towards you.
10. Stop the trimmer line if the trimmer has to be tilted for transportation when crossing surfaces other than grass, and when transporting the trimmer to and from the area to be mowed.
11. Never operate the trimmer with defective guards, or without safety devices.
12. Do not change the engine governor settings or over speed the engine.
13. Start the engine or switch on the motor carefully according to instructions and with feet well away from the trimmer line.
14. Do not tilt the trimmer when starting the engine or switching on the motor, except if the trimmer has to be tilted for starting. In this case, do not tilt it more than absolutely necessary and lift only the part which is away from the operator.
15. Do not put hands or feet near or under rotating parts.
16. Never pick up or carry a trimmer while the engine is running.
17. Stop the engine and disconnect the spark plug wire, making sure that all moving parts have come to a complete stop.
18. Reduce the throttle setting during engine shut down and, if the engine is provided with a shut-off valve, turn the fuel off at the conclusion of mowing.

SAFETY INSTRUCTIONS

19. Go slow when using a trailing seat.
20. Avoid holes, ruts, bumps, rocks, or other hidden hazards.
21. Do not direct discharge material toward anyone. Avoid discharging material against a wall or obstruction. Material may ricochet back toward the operator. Stop the line when crossing gravel surfaces.
22. Do not leave a running machine unattended. Always park on level ground, disengage the attachment, set parking brake, and stop engine.
23. Do not trim in reverse unless absolutely necessary.
24. Tragic accidents can occur if the operator is not alert to the presence of children. Children are often attracted to the machine and the trimming activity. Never assume that children will remain where you last saw them.
25. Keep children out of the operating area and under the watchful care of a responsible adult other than the operator.
26. Travel in the manufacturer recommended direction on slopes. Use caution while operating near drop-offs.
27. Poor footing could cause a slip and fall accident.
28. Do not operate machine under any condition where traction, steering, or stability is in question. Tires could slide even if the wheels are stopped.
29. Always keep the machine in gear when going down slopes. Do not coast downhill.
30. Extinguish all cigarettes, cigars, pipes and other sources of ignition.
31. Do not store the machine or fuel container, or refuel, where there is an open flame, spark, or pilot light such as on a water heater or other appliance.
32. Use full width ramps for loading and unloading a machine for transport.

MAINTENANCE AND STORAGE

1. Keep all nuts, bolts and screws tight to be sure the equipment is in safe working condition.
2. Never store the equipment with gas in the tank inside a building where fumes can reach an open flame or spark.
3. Allow the engine to cool before storing in any enclosure.
4. To reduce the fire hazard, keep the engine, muffler, battery compartment and gas storage area free of grass, leaves, or excessive grease.
5. Check the grass catcher frequently for wear or deterioration.
6. If the fuel tank has to be drained, this should be done outdoors.

SLOPE OPERATION

Slopes are a major factor related to slip and fall accidents, which can result in severe injury. Operation on slopes requires extra caution. If you feel uneasy on a slope, do not trim on it. For your safety, use the slope gauge included as part of this manual to measure slopes before operating this machine on a sloped or hilly area. If the slope is greater than 15 degrees, do not trim on it.

1. Trim across the face of slopes; never up and down. Exercise extreme caution when changing direction on slopes.
2. Watch for holes, ruts, rocks, hidden objects, or bumps which can cause you to slip or trip. Tall grass can hide obstacles.
3. Always be sure of your footing. A slip and fall can cause serious personal injury. If you feel you are losing your balance, release the control lever immediately and the spindle will stop rotating within three (3) seconds.
4. Do not trim near drop-offs, ditches or embankments, you could lose your footing or balance.
5. Do not trim on wet grass. Unstable footing could cause slipping.

SAFETY INSTRUCTIONS

CHILDREN

Tragic accidents can occur if the operator is not alert to the presence of children. Children are often attracted to the trimmer and the trimming activity. Never assume that children will remain where you last saw them.

Keep children out of the trimming area and under the watchful care of a responsible adult.

Be alert and turn trimmer off if children enter the area.

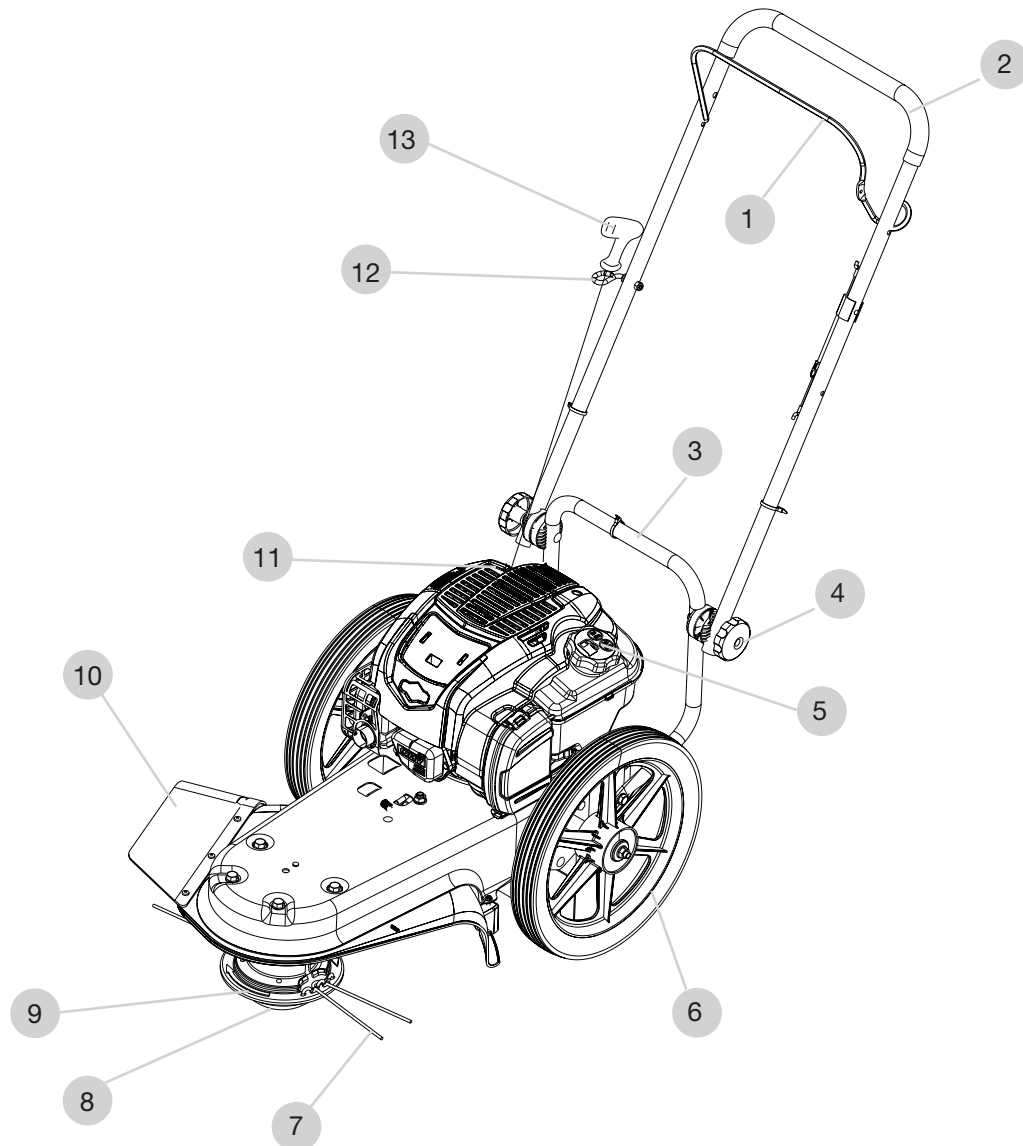
Before and while trimming backwards, look behind and down for small children.

Never allow children to operate the trimmer.

Use extra care when approaching blind corners, shrubs, trees, or other objects that may obscure vision.

PARTS LIST

Fig. 1



1. Engine on/off control bar
2. Upper handle
3. Lower handle
4. Handle adjustment knob
5. Gas filler cap
6. Wheel
7. Trimmer line
8. Trimmer guide
9. Trimmer head
10. Shield edge guard
11. Oil filler dipstick
12. Rope guide
13. Recoil starter handle

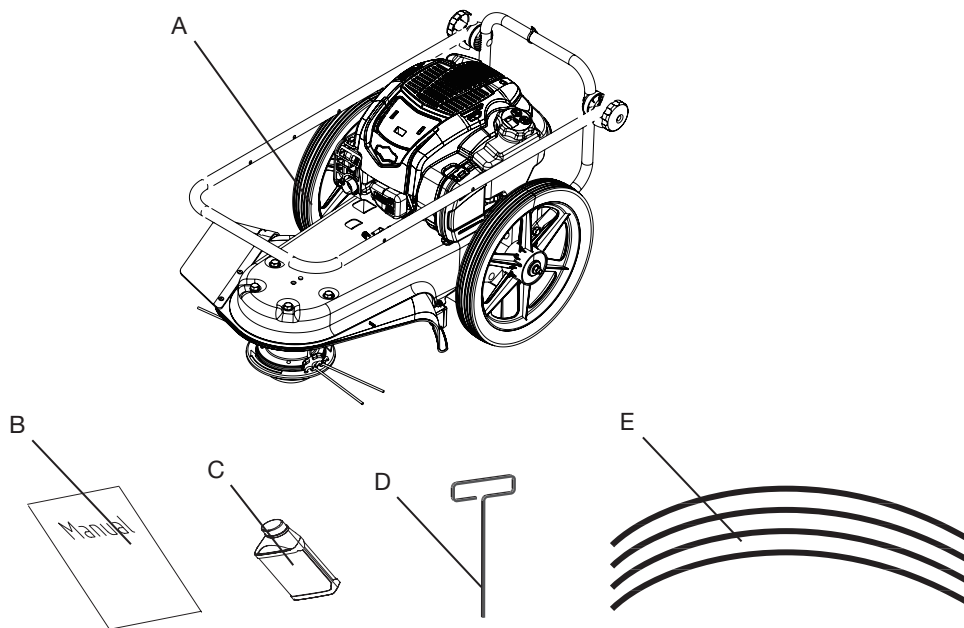
PARTS LIST

PARTS LIST

Carefully remove the trimmer from its packaging and check that the following parts are included:

- A Main trimmer with handles 1pc
- B Manual 1pc
- C Engine oil(SAE30 15oz) 1pc
- D T-handle wrench 1pc
- E Trimmer line 4pcs

Fig. 2



INTENDED USE

This gas-powered walk-behind trimmer has been designed for cutting residential lawn areas.

The machine is to be used only for its prescribed purpose. Any other use is deemed to be a case of misuse. The user/operator and not the manufacturer will be liable for any damage or injuries of any kind caused as a result of this.

Please note that our equipment has not been designed for use in commercial, trade or industrial applications. Our warranty will be voided if the machine is used in commercial, trade or industrial businesses or for equivalent purposes.

TECHNICAL SPECIFICATIONS

TECHNICAL SPECIFICATIONS

Engine type	Single cylinder 4-stroke
Engine displacement	163cc
Engine speed	3100±100RPM
Cutting path	22"(56cm)
Cutting height	1.5"-3"(38-76mm)
Trimmer Line	0.155"(4 mm)
Wheel diameter	14"

ASSEMBLY

Read and follow the assembly and adjustment instructions. Do not discard any parts or materials until the unit is as assembled.



NOTE: Torque is measured in foot-pounds (metric unit is Nm). The measurement describes how tight a nut or bolt must be. The torque is measured with torque wrench.



WARNING Always wear ANSI compliant safety glasses or eye shields while assembling the trimmer.



WARNING

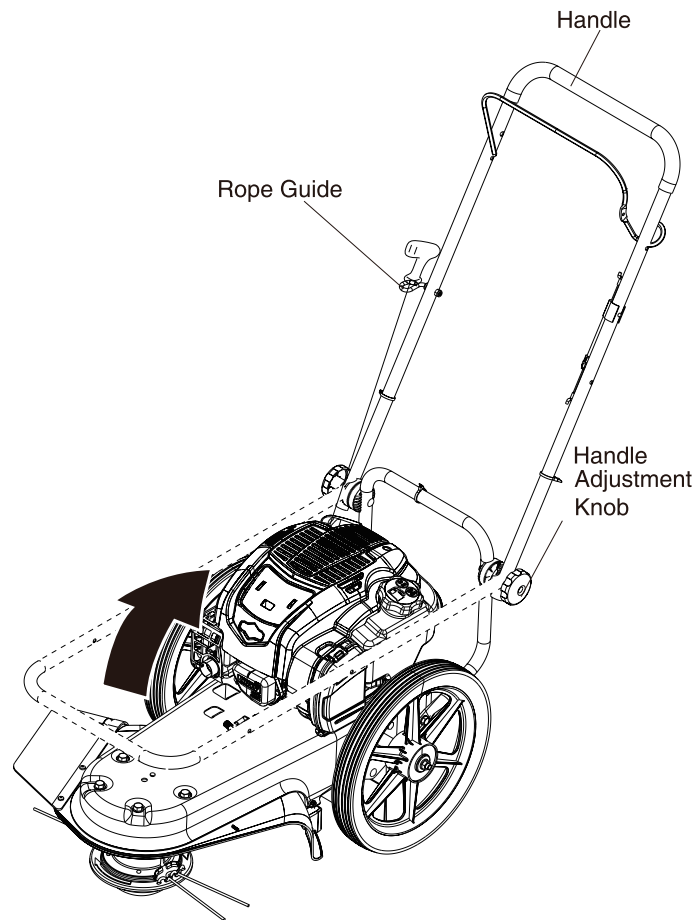
Before doing any assembly or maintenance to the unit, remove the wire from the spark plug.

ADJUST THE HANDLE

1. Adjust knobs until the ratchet teeth are disengaged. Do not remove the handle adjustment knobs (See Fig. 3).
2. Pull sides of handle apart and rotate the handle to the desired position behind the trimmer.
3. Stand in the operator's position behind the trimmer to make sure handle is adjusted to a comfortable position.
4. Tighten the handle adjustment knobs.
5. To attach the recoil start handle to rope guide, twist the rope through the rope guide mounted on the right side of the handle.

ASSEMBLY

Fig. 3



ASSEMBLY

ENGINE PREPARATION

ENGINE DOES NOT CONTAIN OIL OR GASOLINE WHEN SHIPPED See the engine manufacturer's instructions for the type of gasoline and oil to use. Before you use the unit, read the information on safety, operation, maintenance, and storage.

This trimmer was shipped with a 15 oz container of SAE30 engine oil. This oil is to be added to the engine before operating. Follow the following procedure to fill the crankcase with oil.

Never use additives with recommended oil.

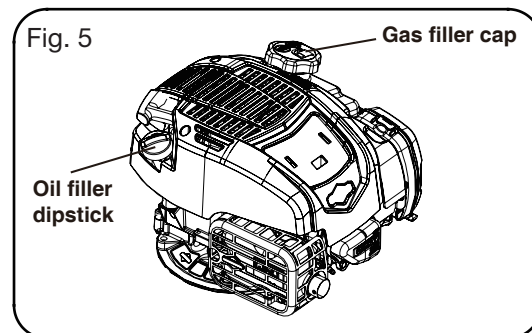
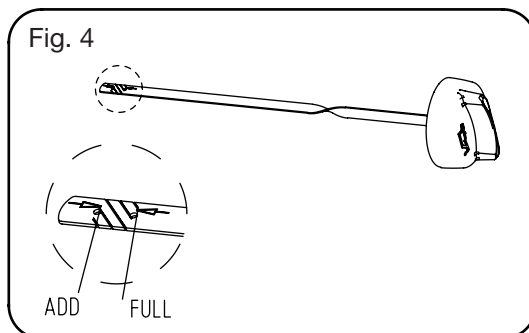
This engine is "Check & add" and never needs the oil to be replaced.

TO CHECK THE OIL LEVEL AND FILL TO PROPER LEVEL

1. Place the trimmer on a level surface.
2. Remove the oil fill cap/dipstick and wipe clean with cloth.
3. Replace dipstick and do NOT screw it. Remove and check oil level.
4. When oil level is full, the oil will be at upper limit on dipstick. (See Fig. 4)
5. If the oil level is near or below the lower limit mark on the dipstick (See Fig. 4), add SAE 30 oil (or equivalent) slowly and recheck until oil level reaches upper limit of dipstick. DO NOT OVER FILL.
6. Replace and tighten dipstick.
7. Clean up any spilled oil.



NOTE: When adding oil, frequently insert the oil filler dipstick and check the amount of oil in the engine. DO NOT OVERFILL. (See Fig. 5)



FILLING TANK



CAUTION! Always use clean, fresh unleaded gas. Purchase fuel in quantities that can be used within 30 days. Never mix oil with gas.



CAUTION! Do not fill into the base of neck to allow for fuel expansion. Do not overfill the fuel tank.



CAUTION! WARNING! Gas is highly flammable and extreme caution must be taken when handling or working with it. Keep out of reach of children.



CAUTION! To prevent engine damage the engine is shipped without oil or gas. The engine must be filled with the correct grade of oil and gas before starting the engine.



WARNING Follow the engine manufacturer's instructions for the type of gasoline and oil to use. Always use a safety gasoline container. Do not smoke when adding gasoline to the engine. When inside an enclosure, do not fill with gasoline. Before you add gasoline, stop the engine. Let the engine cool for several minutes.

ASSEMBLY



WARNING! Refuel in a well-ventilated area with the engine stopped. Do not smoke or allow flame or sparks in the area where the engine is refueled or where gas is stored. Avoid repeated or prolonged contact with skin or inhalation of vapour.



WARNING! Gasoline with up to 10% ethanol (gasohol) is acceptable. Do not use unapproved gasoline, such as E15 and E85.

1. Clean surface around gas filler cap to prevent contamination.
 2. Loosen gas filler cap slowly. (see Fig.5)
 3. Carefully pour fuel into the tank. Avoid spillage.
 4. Prior to replacing the gas filler cap, clean and inspect the gasket.
 5. Immediately replace gas filler cap and hand tighten. Wipe up any spillage.
- NOTE:** It is normal for smoke to be emitted from a new engine after the first use.

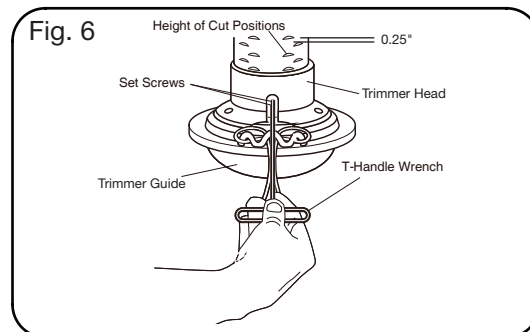
TO SET THE HEIGHT OF CUT



CAUTION Before you set the height of cut, stop the engine. Wait for all moving parts to stop. Allow engine to cool and disconnect the spark plug wire.

The height of cut can be set from 1 1/2 to 3 in. [38-76 mm]. Recommended cutting height for the average yard is 2 in.[51 mm].

1. Use the T-Wrench, found in a parts bag, to loosen the (2) set screws. (See Fig. 6)
NOTE: The (2) set screws are only on one side of the trimmer head. If you don't see the set screws, check the opposite side. Both set screws need to be loosened to change the height of the cut.
2. Slide the trimmer head up or down for desired height of cut. From position 1 to position 7, the cutting heights range from 1.5" to 3" (38-76mm), 0.25" between each position.
3. Tighten both set screws to 2.6 - 3.7 foot-pounds (3.5-5 Nm).



OPERATION

START AND STOP THE ENGINE



WARNING: the trimmer line begins to rotate as soon as the engine is started.

NOTE: Do not operate the trimmer in enclosed or poorly-ventilated areas as the exhaust gas contains toxic substances.

Keep hands, feet, hair and clothing away from the moving parts of the machine. The exhaust and other parts of the machine will become hot during use.

Make sure that the blade is securely fastened before starting the engine.



NOTE: to start the engine, make sure that the spark plug cover is connected to the plug and the machine is filled with sufficient oil and gas.

TO START THE ENGINE



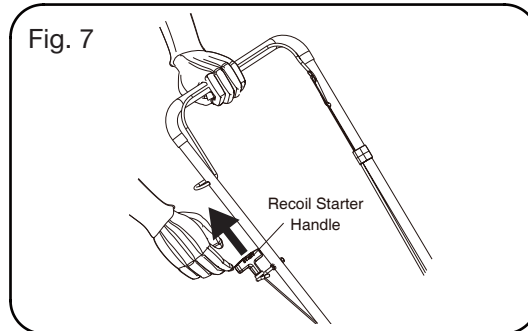
NOTE: Due to protective coatings on the engine, a small amount of smoke may be present during the initial use of the trimmer. This is normal.

NOTE: Your engine is equipped with an automatic choke system. No priming or choking is required before starting.



CAUTION Never leave the trimmer unattended while the engine is running. Wait for the trimmer lines to stop rotation.

1. The engine equipped with an automatic choke system. No priming or choking is required before starting.
2. Stand behind the trimmer. Pull the Engine On/Off Control Bar toward upper handle with one hand and place the other hand on the Recoil Start Handle (see Fig.7).
3. Pull the starter handle out approximately 4" to 6" until you feel a resistance and then start the engine with a sharp pull. DO NOT allow the starter rope to snap back.
NOTE: If the engine fails to start after three pulls, repeat the process.
4. Once the engine is running, put the starter rope into the rope guide.



TO STOP THE ENGINE

Release the Engine On/Off Control Bar. It will return to its initial position and the engine will automatically switch off.



CAUTION The trimmer head will continue to rotate for several seconds after the engine has stopped.

OPERATION

USING YOUR TRIMMER

Be sure trimming area is clear of stones, sticks, wire, or other objects which could damage the trimmer or engine. Such objects could accidentally be thrown by the trimmer in any direction and cause serious personal injury to the operator and others.



WARNING: The operation of any trimmer can result in foreign objects being thrown into the eyes, which can damage your eyes severely. Always wear safety glasses while operating the trimmer, or while performing any adjustments or repairs on it.

The trimmer is designed with trimmer head offset to the left side, allowing the operator to trim along a fence, landscaping, or a house to his or her right side without having to make any adjustments to the machine. Use two hands hold the upper handle firmly and push the trimmer forward, keep the trimmer guide gliding on the ground to trim.

Do not trim on excessively steep slopes. Use the slope gauge to determine if a slope is too steep for safe operation. If a slope is difficult to stand on, do not trim. Do not trim on slopes when the ground is slippery or wet. Trim across the face of a slope, not up and down.

CAUTION: While operating the trimmer, do not allow the trimmer guide to contact a concrete, asphalt, or gravel surface. Doing so will result in premature wear.

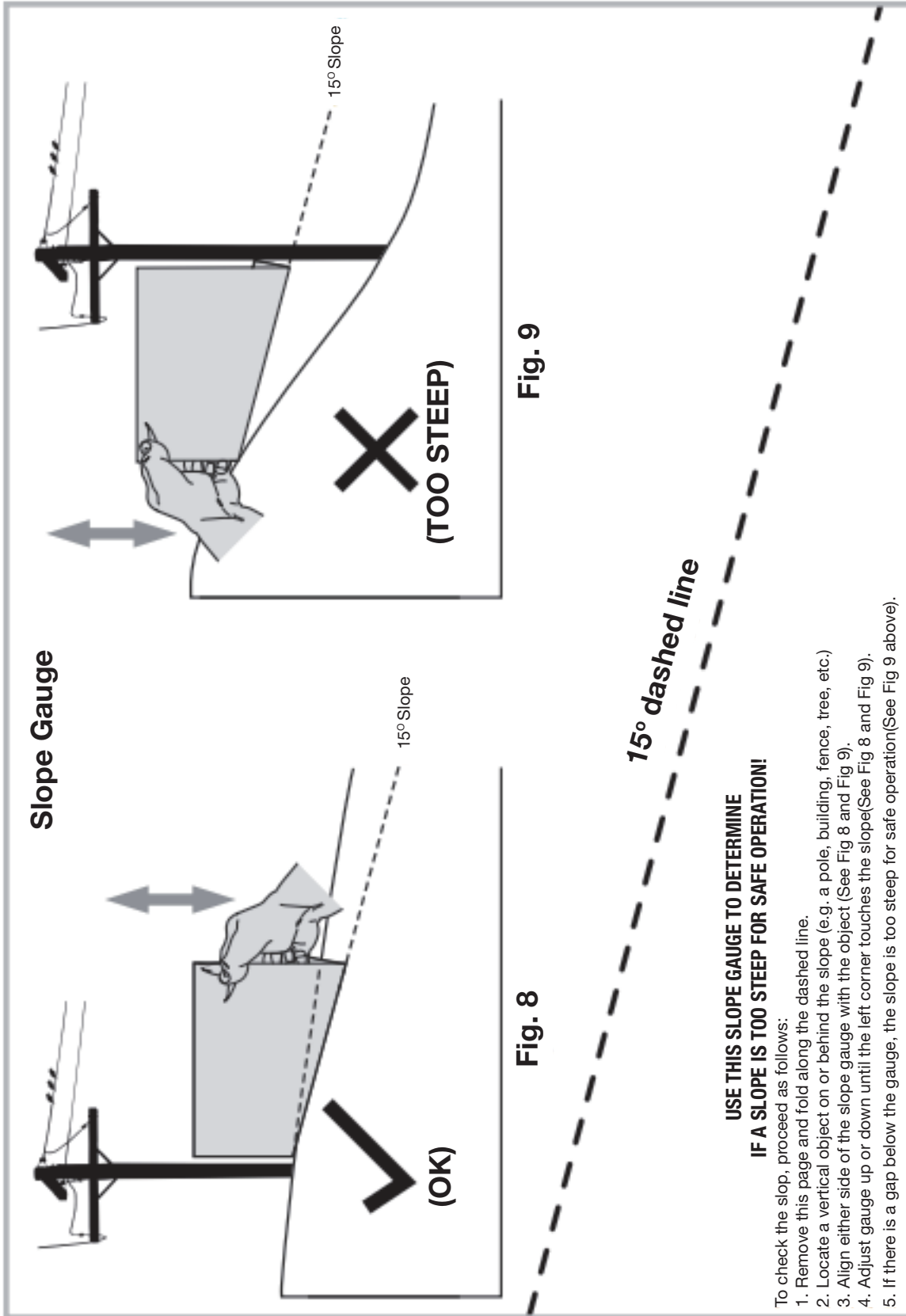
TRIMMING TIPS



WARNING Debris such as sticks, gravel, and rocks can be thrown with sufficient force to cause personal injury or property damage.

1. Frequently clean the trimmer to remove any grass buildup. See the Maintenance section for details.
2. For best results and longer lasting line, use the ends of the line to do the cutting. This is easily done by moving slowly through very thick or heavy weeds.
3. If the trimmer lines become too short, it will take longer to complete this job. If the trimmer lines are worn to less than half their original length, change to a new trimmer line. See "Replace the Trimmer Line" in the Maintenance section.

OPERATION



**USE THIS SLOPE GAUGE TO DETERMINE
IF A SLOPE IS TOO STEEP FOR SAFE OPERATION!**

- To check the slope, proceed as follows:
1. Remove this page and fold along the dashed line.
 2. Locate a vertical object on or behind the slope (e.g. a pole, building, fence, tree, etc.)
 3. Align either side of the slope gauge with the object (See Fig 8 and Fig 9).
 4. Adjust gauge up or down until the left corner touches the slope(See Fig 8 and Fig 9).
 5. If there is a gap below the gauge, the slope is too steep for safe operation(See Fig 9 above).

WARNING: Slope are a major factor related to slip and fall accidents which can result in severe injury or death. Do not operate machine on slopes in excess of 15 degrees. All slopes require extra caution. Always trim across the face of slopes, never up and down slopes.



MAINTENANCE AND STORAGE

PERIODIC MAINTENANCE SCHEDULE TABLE

Service records- fill in dates as you complete regular service	Before each use	Every 5 hours	Every 25 hours	Every 100 hours	See note	Before storage	Service dates
Check engine oil level	Y						
Check trimmer lines	Y				1		
Check trimmer head engagement	Y						
Engine/machine cleaning	Y				2		
Check nuts and bolts	Y						
Check spark plug			Y				
Change engine oil			Y				
Service air filter			Y		3		
Lubricate jackshaft assembly			Y				
Lubricate wheel bearings			Y				

Note 1 When old line is half the original length, replace with new line.

Note 2 Clean daily if used in extremely dusty or dirty conditions. Clean grass and debris build up off of the debris screen.

Note 3 Change more often if used in extremely dusty or dirty conditions.

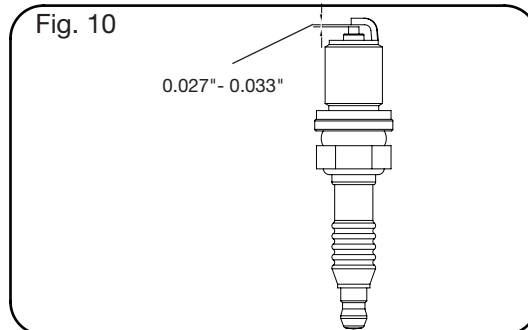
GENERAL RECOMMENDATIONS

The warranty on this trimmer does not cover items that have been subjected to operator abuse or negligence. To receive full value from the warranty, the operator must maintain the trimmer as instructed in this manual. Some adjustments must be made periodically to properly maintain your trimmer. All adjustments in the Maintenance section of this manual must be checked at least once each season.

MAINTENANCE AND STORAGE

MAINTENANCE OF THE SPARK PLUG

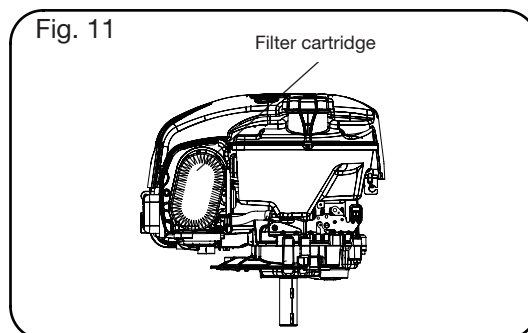
As shown in Fig. 10



1. Once the engine has cooled, pull off the spark cover with a twist.
2. Remove the spark plug using a spark plug wrench (not supplied).
3. Clean the spark plug with a wire brush (not supplied).
4. Using a feeler gauge, set the gap to 0.027" - 0.033" (0.686- 0.838 mm).
5. Install the spark plug carefully by hand to avoid cross-threading.
6. After the spark plug is seated, tighten with the spark plug wrench to compress the washer.

MAINTENANCE OF THE AIR FILTER

As shown in Fig. 11



Soiled air filters reduce the engine output by restricting air to the carburetor. If the air contains a lot of dust, the air filter should be checked more frequently.



WARNING! Never run the engine without the air filter element installed.

1. Press tabs at the top of the air filter cover and tilt away from the engine to remove the cover.
2. Remove the filter cartridge.
3. To loosen debris, gently tap the filter cartridge on a hard surface. If the filter cartridge is excessively dirty, replace with a new one.



Note: Never clean the air filter cartridge with gas or inflammable solvents. Clean the air filter cartridge only with compressed air or by tapping it.

4. Install the filter cartridge.
5. Close the cover and secure it properly by snapping tabs back into the correct slots at the top.

MAINTENANCE AND STORAGE

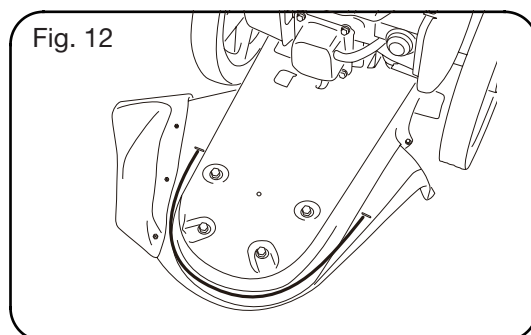
CHECK AND ADD THE ENGINE OIL

The Briggs & Stratton 675EXi engine on this lawn mower is made with a special feature Check & Add(TM). The oil never needs to be changed. Before each use check the oil level and add additional oil if the level is not within the Min - Max levels.

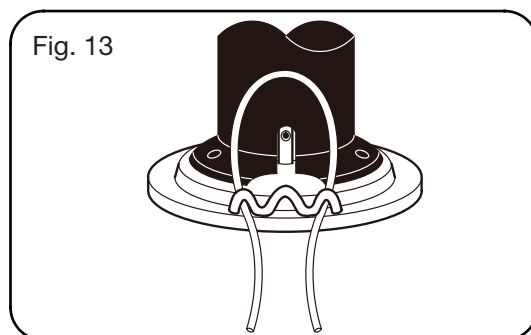
REPLACING THE TRIMMER LINE

When the trimmer line becomes worn to half the original length, replace the trimmer line. For the best performance, use a heavy gauge 0.155 in. [4 mm] trimmer line.

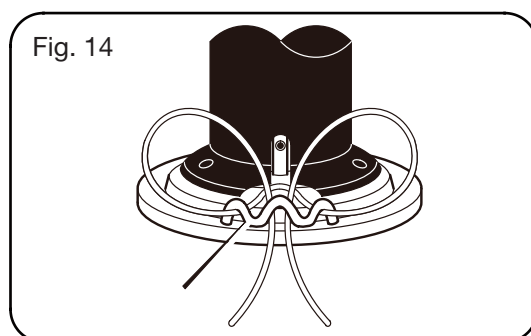
1. Stop the engine. Wait for all moving parts to stop. Disconnect the wire from the spark plug.
2. Remove the worn trimmer line from line retainer.
3. Cut the length of the trimmer line to 21.5 in. [546 mm]. Use the length guide; located on the shield to make sure the trimmer line is the correct length. (See Fig. 12) Do not allow the length of the lines to vary more than one inch. Make sure the trimmer head is balanced and does not vibrate.



4. Thread the ends of the new trimmer line through the out side loops. (See Fig. 13)

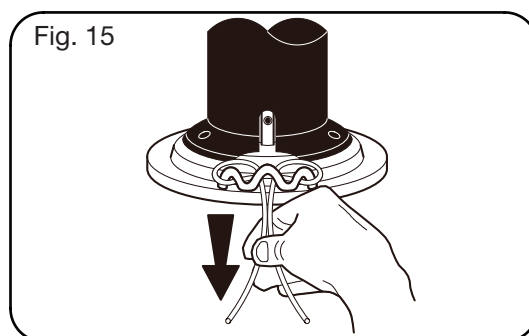


5. Take the ends of the line, cross over the line retainer, and thread the ends through the center hole. (See Fig. 14)



MAINTENANCE AND STORAGE

6. Then, check to make sure that the ends of the line are even. (See Fig. 15)



7. Follow same steps for line on alternate side.



IMPORTANT: To extend the life of the trimmer line, keep the trimmer line moist. If not kept moist, the nylon trimmer line will become dry and brittle. Keep extra trimmer line in a can of water. The line will then stay flexible and easy to change. A flexible line will also last much longer.

STORING THE TRIMMER FOR SHORT PERIODS

The trimmer can be stored for short periods of time (less than 15 days) without performing any storage maintenance. Before placing the trimmer into storage always do the following:

1. Allow the engine to fully cool.
2. Ensure the grass bag is empty.
3. Clean all debris from under the cutting deck.
4. Store the trimmer on a flat and level surface with the trimmer upright.
5. Store in a safe place which is not accessible by children or people who are not familiar with the trimmer's operation.

STORING THE TRIMMER FOR EXTENDED PERIODS

If the trimmer is to be placed into storage for more than 15 days, storage maintenance must be performed on the trimmer. If the following steps are not carried out, when you next operate the trimmer it may not start correctly and may need to be serviced.



CAUTION! Do not empty the gas tank in enclosed areas, near fire or when smoking. Gas fumes can cause explosions and fire.

1. Empty the gas tank with a gas suction pump if available.
2. Start the engine and let it run until any remaining gas has been used up.
3. Clean the cooling fins of the cylinder and the housing.
4. Be sure to clean the entire machine to protect the paint.
5. Store the machine in a well-ventilated place.

MAINTENANCE AND STORAGE

MAINTENANCE SCHEDULE

Performing routine maintenance correctly on your trimmer will ensure you get years of trouble-free use. Please keep this manual safe for future reference.

It is recommended that the following maintenance schedule is adhered to. This will ensure the trimmer operates correctly and is safe to use.

	12 hours of use	24 hours of use	36 hours of use
Air filter	Clean	Clean	Clean
Spark plug	Check	Clean	Clean
Engine oil	Check	Check and Add	Check and Add

TRANSPORTING THE TRIMMER

Empty the gas tank. Always let the engine run until it has used up the remainder of gas in the tank. Empty the engine oil from the warm engine. Remove the spark plug cover from the spark plug. Clean the cooling fins of the cylinder and the housing. Use the original packaging to ship whenever possible.

TROUBLE SHOOTING

Fault/malfunction	Cause	Remedy
Engine does not start	Engine on/off control bar pressed. Spark plug is defective. Cutting blade is worn or damaged. Fuel tank is empty. Engine may be flooded.	Press engine on/off control bar. Replace spark plug. Replace it through the customer service centre. Refill with fuel. Remove plug and dry.
Engine runs unsteadily.	Air filter is soiled. Spark plug is soiled.	Clean the air filter. Clean the spark plug.
Trimmer vibrates	Set screws for trimmer head is loose Trimmer line lengths are substantially different Loose nuts or bolts Broken trimmer head	Tighten set screw with T-handle wrench. Adjust trimmer line to approximately equal lengths. Check all bolts and nuts, including engine bolts. Replace broken part.
Trimmer head does not retain line	Trimmer line not properly attached Broken line retainer Trimmer line not correct size	Follow instructions on decal or in the Service section of the owner's manual. Replace the trimmer head assembly. Use a 0.155 in. (4 mm) trimmer line.

WARRANTY

YARD FORCE TWO YEAR LIMITED WARRANTY

Product Warranty

Please keep your original purchase receipt in a safe place as proof of purchase. Warranty coverage for this product must be verified by the original purchase receipt. The warranty period begins on the day that the product was purchased from an authorized retailer of Yard Force products. Warranty coverage only applies to the original purchaser and is not transferable. Warranty coverage is only provided on products purchased and used in the USA and Puerto Rico from authorized Yard Force retailers. Products purchased or used outside of the USA and Puerto Rico are not covered by this warranty.

(2) Two-Year Warranty – Engine

The YF22-HWT has a 2-Year Limited Warranty from the date of purchase against manufacturer defects for residential use only. Commercial use voids the warranty. This warranty does not cover accidental damage, unreasonable use, normal wear and tear, neglect or non-compliance with the Operating, Safety and Maintenance Instructions. All service, outside of normal maintenance as described in this manual, must be done by an authorized service technician. Any unauthorized service or changes to the original configuration of this product will void the warranty. All parts and accessories used on and with this product must be manufacturer/or and authorized by Merotec Inc.

(90) Ninety-Day Warranty – Accessories

The accessories included with the YF22-HWT; like the blade, and other similar parts are warranted against manufacturer defects for residential use only for a period of 90 days from date of purchase.

Warranty does not cover loss of use or other consequential damages arising from any of the above, nor does it cover repairs made or attempted by unauthorized persons. This warranty is void if the product is used for commercial, rental or industrial purposes. Certain parts, attachments and accessories are subject to normal wear and tear and are excluded from the warranty.

Service and Warranty Claims Process

Contact the Yard Force Support Center toll-free at **(866) 902-9690 Monday-Friday between 8:30 AM and 5:00 PM Eastern Time** for service and warranty support.

Yard Force USA Service Support agents can help you troubleshoot problems over the phone to get you back up and running as quickly as possible. In the situation where service or warranty inspection is needed, please follow these steps:

1. Contact Yard Force USA at **(866) 902-9690 or support@merotecusa.com Monday-Friday between 8:30 AM and 5:00 PM Eastern Time.**
2. Send in proof-of-purchase and serial number (if applicable) to confirm warranty coverage.
3. If service or a warranty evaluation is requested, Yard Force USA will provide an RGA number that should be used in all communications with Yard Force USA and if necessary a list of local authorized service centers to bring your trimmer to for evaluation and repair.
4. All shipments to Yard Force USA must have an RGA number. Any shipment received that does not have an RGA number clearly marked on the outside of the box will be refused.
5. All shipments must be sent pre-paid, Yard Force USA does not pay for any shipping costs for service or warranty evaluation. Yard Force USA is not responsible for any packages that are lost by carrier. We recommend that shipments are made by a carrier that provides tracking and delivery confirmation.

For more information or to ask questions, please call toll-free **(866) 902-9690 or support@merotecusa.com Monday-Friday between 8:30 AM and 5:00 PM Eastern Time.**

SAVE THESE INSTRUCTIONS



1-866-902-9690



www.YardForceUSA.com

Need Help?

Please do not return the product to the place of purchase yet. We're here to help and take care of all your needs.

Contact our customer service department for help with:

- Product assembly or use
- Missing or damaged parts
- Troubleshooting

You can also visit our website for typical FAQ's, downloadable troubleshooting steps and instructional videos. Replacement parts and accessories can be purchased at www.YardForceUSA.com, or call our toll free hotline: 1-866-902-9690 M-F 8:30am – 5:00pm ET

Merotec Inc.

3655 Kennesaw North Industrial Parkway
Kennesaw, GA 30144
Copyright © 2019 Merotec Inc.

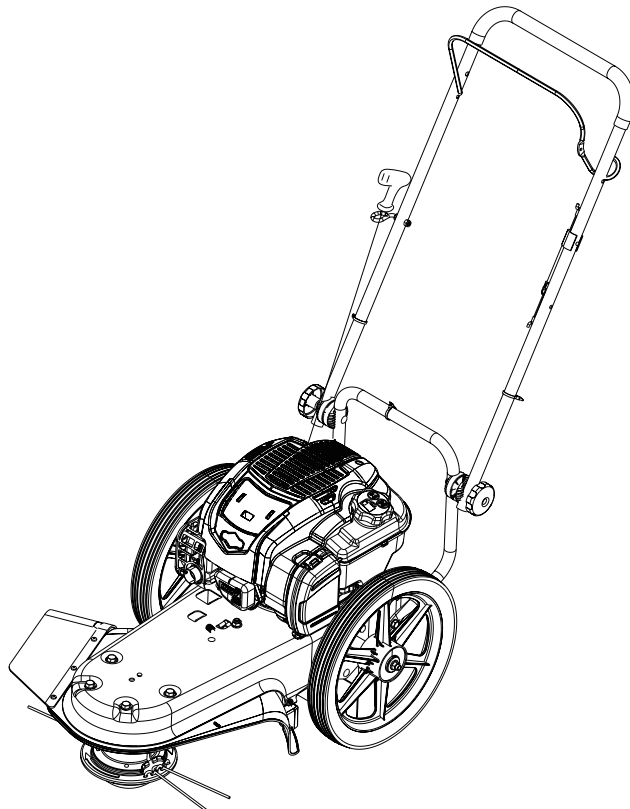
Made in China at a SUMEC manufacturing facility.



YARD FORCE[®]
OUTDOOR POWER EQUIPMENT

YF22-HWT

CORTABORDES DE EMPUJE A GASOLINA MANUAL DEL USUARIO



El personal de nuestro servicio de atención al cliente está preparado para proporcionar asistencia.

En caso de que alguna pieza falte o esté dañada, la mayoría de las piezas de recambio se envían desde nuestras instalaciones.

Si necesita ayuda inmediata para el montaje, o si desea más información sobre el producto, visite la página www.YardForceUSA.com o envíe un mensaje de correo electrónico a support@MerotecUSA.com



CONSERVE ESTE MANUAL PARA CONSULTARLO



Necesitará este manual para leer las instrucciones de seguridad, el modo de empleo y la garantía.

Para reclamar el servicio de garantía es necesario el justificante de compra original.

YARD FORCE

YF22-HWT Instrucciones originales

ÍNDICE

Instrucciones de seguridad.....	3
Lista de piezas.....	6
Uso previsto	7
Especificaciones técnicas.....	8
Montaje	8
Modo de empleo.....	13
Mantenimiento y almacenamiento.....	16
Solución de problemas.....	21
Garantía	22

INSTRUCCIONES DE SEGURIDAD

IMPORTANTE

Lea completamente estas instrucciones antes de montar la herramienta y de utilizarla.

DESCRIPCIÓN DE LOS SÍMBOLOS

La finalidad de los símbolos que se usan en este manual es atraer su atención hacia los posibles riesgos. Los símbolos de seguridad y las explicaciones que los acompañan deben comprenderse perfectamente. Las advertencias no evitan los riesgos por sí mismas, y no sustituyen a la adopción de medidas adecuadas para evitar accidentes.

SÍMBOLOS DE ADVERTENCIA EN EL APARATO



Indica ADVERTENCIA, PELIGRO o PRECAUCIÓN.



Lea el manual de instrucciones completo antes de utilizar esta herramienta. Si no se siguen las instrucciones, pueden producirse lesiones graves.



Objetos lanzados. Las demás personas deben mantenerse a una distancia mínima de 50 pies (15 m). No utilice el aparato en presencia de niños. Retire todos los objetos que podrían ser lanzados por el aparato. Lea el manual de instrucciones antes de utilizar esta herramienta.



NO corte subiendo y bajando pendientes. Corte en las pendientes de manera transversal.



Las piezas giratorias podrían causar lesiones graves. Manténgase alejado de las piezas giratorias. Pare el motor y desconecte el cable de la bujía antes de hacer ajustes.



Utilice protección ocular que cumpla la norma ANSI Z87.1, así como protección auditiva.



Desconecte el cable de la bujía antes de realizar trabajos de servicio técnico en el aparato.



Dirección de giro del hilo.



El motor emite monóxido de carbono. NO lo ponga en marcha en interiores ni en áreas cerradas.



NO toque el silenciador ni el cilindro calientes. Estas piezas se calientan extremadamente durante el funcionamiento, y pueden seguir estando calientes durante poco tiempo después del uso.



Para reducir el riesgo de incendio, limpie la gasolina derramada y mantenga el aparato libre de residuos. La gasolina es extremadamente inflamable. Espere a que el aparato se enfríe antes de repostar.

INSTRUCCIONES DE SEGURIDAD

INSTRUCCIONES DE SEGURIDAD

FORMACIÓN

1. Lea atentamente las instrucciones. Familiarícese con los controles y el uso correcto del equipo.
2. Nunca permita que utilicen el producto los niños o las personas que no estén familiarizadas con estas instrucciones de uso del cortabordes. Las regulaciones locales pueden restringir la edad del usuario.
3. Nunca utilice el cortabordes cuando haya cerca otras personas, especialmente niños, o mascotas.
4. Tenga en cuenta que el operario o usuario es responsable de los accidentes o riesgos que ocurran a otras personas o a su propiedad.
5. No utilice el aparato si se encuentra bajo la influencia de alcohol o drogas.
6. Siga las instrucciones del fabricante en relación con los pesos o contrapesos de las ruedas.
7. Pare el aparato y los accesorios si alguien entra en el área en la que los está utilizando.

PREPARACIÓN

1. Lleve siempre calzado robusto y pantalones largos cuando corte el césped. No use el aparato cuando vaya descalzo o lleve puestas sandalias abiertas.
2. Examine minuciosamente la zona donde vaya a utilizarse el aparato y elimine todos los objetos que puedan ser lanzados por la máquina.
3. Advertencia: la gasolina es muy inflamable.
 - Guarde el combustible en recipientes diseñados específicamente para ello.
 - Reposte combustible solo en exteriores y no fume mientras lo hace.
 - Añada gasolina antes de arrancar el motor. No quite nunca el tapón del depósito de combustible ni añada gasolina cuando el motor esté en marcha ni cuando esté caliente.
 - Si se derrama gasolina, no intente arrancar el motor. Aleje el aparato del área donde se ha derramado el combustible y evite crear cualquier fuente de ignición hasta que se hayan disipado los vapores de gasolina.
 - Vuelva a cerrar bien los tapones del depósito de combustible y del recipiente.
4. Cambie los silenciadores si están defectuosos.
5. Antes de utilizar la herramienta, examine siempre los tornillos y el conjunto del sistema de corte para comprobar que no están desgastados ni dañados. Sustituya simultáneamente los tornillos dañados o desgastados para mantener el equilibrio del conjunto.

MODO DE EMPLEO

1. No ponga en marcha el motor en lugares en los que puedan acumularse gases de monóxido de carbono peligrosos.
2. Utilice el cortacésped solo a plena luz del día o cuando se cuente con iluminación artificial adecuada.
3. Siempre que sea posible, evite utilizar el aparato para cortar hierba húmeda.
4. Asegúrese siempre de tener los pies firmemente apoyados sobre el suelo cuando utilice la herramienta en pendientes.
5. Desplácese caminando, sin correr nunca.
6. En el caso de aparatos rotativos con ruedas, corte la hierba desplazándose perpendicularmente a la pendiente, nunca cuesta arriba o cuesta abajo.
7. Extreme la precaución al cambiar de dirección mientras utiliza la herramienta en pendientes.
8. No corte el césped en pendientes excesivamente pronunciadas.
9. Extreme la precaución al retroceder o al tirar hacia usted del cortabordes.
10. Pare el hilo de corte en caso de que sea necesario volcar el aparato para transportarlo, así como al atravesar superficies que no sean de hierba y al transportarlo hasta y desde su lugar de uso.
11. No utilice nunca el cortabordes si las protecciones están defectuosas o si no están instalados los dispositivos de seguridad.
12. No cambie los ajustes de regulación del motor ni ponga el motor a una velocidad excesiva.
13. Arranque o encienda el motor con cuidado, teniendo en cuenta las instrucciones y con los pies bien alejados del hilo de corte.
14. No incline el aparato mientras arranca el motor o lo enciende, a menos que sea necesario inclinarlo para poder ponerlo en marcha. En ese caso, no incline el producto más de lo absolutamente necesario y eleve únicamente la parte que queda más alejada del usuario.

INSTRUCCIONES DE SEGURIDAD

15. No ponga las manos ni los pies cerca o debajo de los elementos que giran.
16. Nunca levante ni transporte un cortabordes con el motor en marcha.
17. Pare el motor y desconecte el cable de la bujía, y asegúrese de que todas las piezas móviles se hayan parado completamente.
18. Reduzca el ajuste del estrangulador durante el apagado del motor y, si el motor está equipado con una válvula de cierre, cierre el combustible cuando termine de cortar el césped.
19. Vaya despacio cuando utilice un asiento colgante.
20. Evite los agujeros, surcos, baches, rocas u otros peligros ocultos.
21. No dirija el material de descarga hacia ninguna persona. Evite descargar material contra una pared o una obstrucción. El material puede rebotar hacia el usuario. Pare el hilo de corte cuando atraviese superficies de grava.
22. No deje una herramienta en macha sin vigilancia. Déjela siempre en una superficie nivelada, desmonte el accesorio, ponga el freno de estacionamiento y pare el motor.
23. No corte marcha atrás, a menos que sea absolutamente necesario.
24. Pueden producirse accidentes trágicos si el usuario no está atento a la presencia de niños. Con frecuencia, a los niños les atrae la herramienta y la actividad de recortar la hierba. No suponga nunca que los niños permanecerán donde los ha visto por última vez.
25. Mantenga a los niños fuera del área de funcionamiento de la herramienta y bajo la supervisión de un adulto responsable que no sea el usuario.
26. Desplácese por las pendientes siguiendo la dirección recomendada por el fabricante. Tenga cuidado cuando utilice la herramienta cerca de simas.
27. Si apoya mal los pies, podría resbalar y sufrir una caída.
28. No utilice el aparato en ningún caso si hay problemas de tracción, control o estabilidad. Los neumáticos pueden resbalar incluso si las ruedas están paradas.
29. Mantenga siempre la herramienta engranada cuando descienda por una pendiente. No la deje descender en punto muerto.
30. Apague todos los cigarrillos, cigarros, pipas u otras fuentes de ignición.
31. No almacene la herramienta ni el recipiente de combustible, ni reposte combustible, en un lugar en el que haya una llama abierta, chispas o una luz piloto, como un calentador de agua u otros aparatos.
32. Cuando cargue o descargue la herramienta para transportarla, utilice rampas lo bastante anchas.

MANTENIMIENTO Y ALMACENAMIENTO

1. Mantenga todas las tuercas, los pernos y los tornillos apretados para garantizar unas condiciones de trabajo seguras.
2. No guarde nunca el aparato con gasolina dentro del depósito en un edificio en el que los vapores puedan alcanzar una llama abierta o una chispa.
3. Espere a que el motor se haya enfriado antes de guardarlo en algún espacio cerrado.
4. Para reducir el riesgo de incendio, mantenga el motor, el silenciador, el compartimento de la batería y el área de almacenamiento de la gasolina libres de grasa, hojas, o exceso de grasa.
5. Compruebe frecuentemente que el recogedor de hierba no está desgastado ni deteriorado.
6. Cuando haya que vaciar el depósito de combustible, deberá hacerse en exteriores.

USO EN PENDIENTES

Las pendientes son un factor importante en relación con los accidentes por resbalamiento o caída, que pueden provocar lesiones graves. Hay que extremar las precauciones en las pendientes. Si no se siente seguro en una pendiente, no corte ahí la hierba. Por su seguridad, antes de usar este aparato en una pendiente o una colina, utilice el medidor de pendientes que se incluye en este manual. No corte la hierba en una pendiente que tenga más de 15 grados.

1. Recorte la hierba desplazándose perpendicularmente a la pendiente y nunca cuesta arriba o cuesta abajo. Extreme la precaución al cambiar de dirección mientras utiliza la herramienta en pendientes.
2. Tenga cuidado con los agujeros, surcos, rocas, objetos ocultos o baches, que podrían hacerle resbalar o tropezar. La hierba alta puede ocultar obstáculos.
3. Asegúrese siempre de tener los pies firmemente apoyados sobre el suelo. Un resbalón y una caída pueden provocar lesiones graves. Si nota que está perdiendo el equilibrio, suelte inmediatamente la palanca de control para que el husillo deje de girar en el transcurso de tres (3) segundos.

INSTRUCCIONES DE SEGURIDAD

4. No corte la hierba cerca de precipicios, zanjas o terraplenes, ya que podría perder el equilibrio o el apoyo de los pies.
5. No corte hierba mojada. Un apoyo inestable de los pies puede hacerle resbalar.

NIÑOS

Pueden producirse accidentes trágicos si el usuario no está atento a la presencia de niños. Con frecuencia, a los niños les atrae el cortabordes y la actividad de recortar la hierba. No suponga nunca que los niños permanecerán donde los ha visto por última vez.

Mantenga a los niños fuera del área de corte y bajo la supervisión de un adulto responsable.

Permanezca alerta y apague el cortabordes si algún niño entra en la zona.

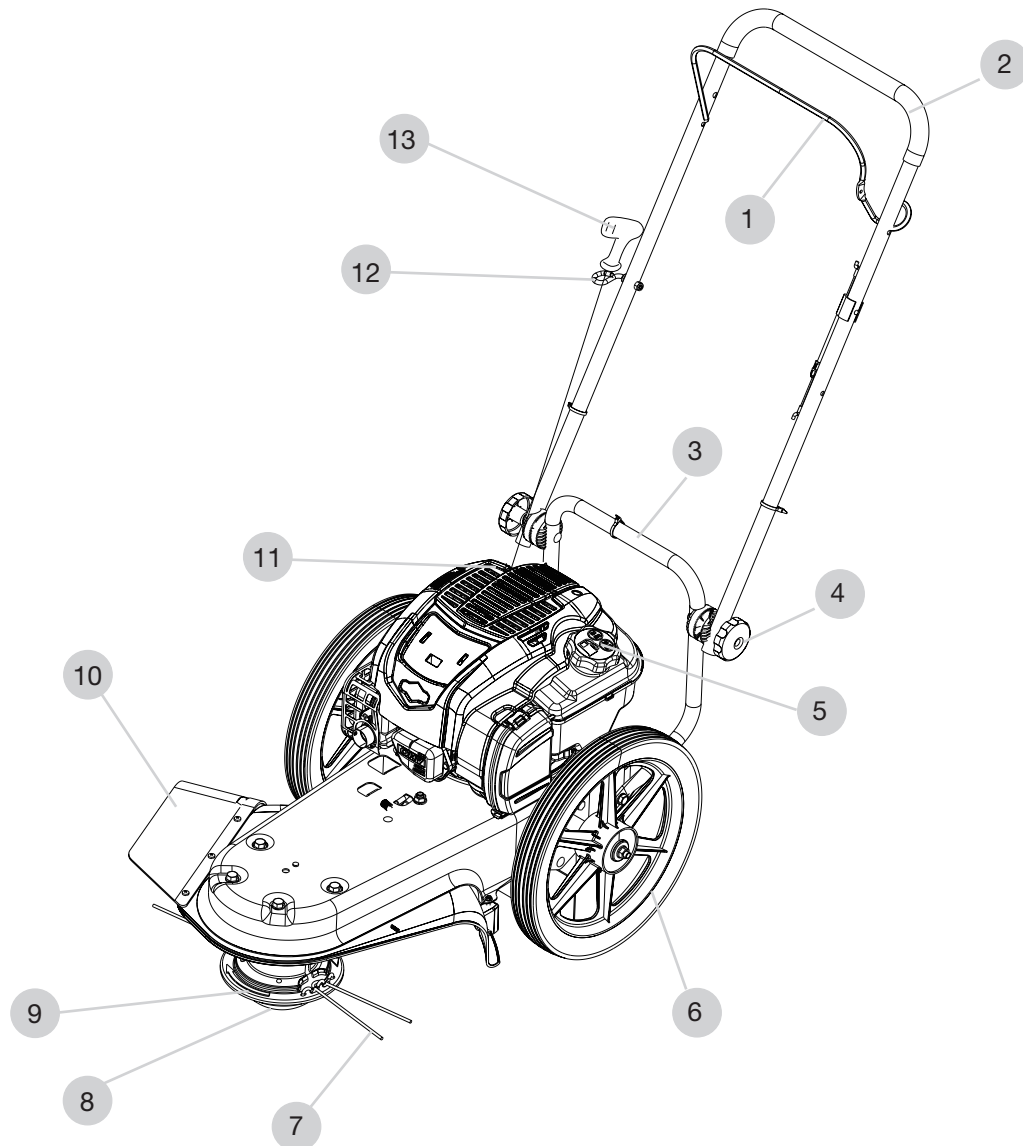
Antes de cortar marcha atrás y mientras lo haga, mire hacia atrás y hacia abajo por si hubiera niños pequeños.

Nunca permita que los niños utilicen el cortabordes.

Tenga mucho cuidado cuando se acerque a esquinas sin visibilidad, arbustos, árboles u otros objetos que puedan entorpecer la visión.

LISTA DE PIEZAS

Fig. 1



1. Barra de control de encendido/apagado del motor
2. Mango superior
3. Mango inferior
4. Tornillo de ajuste del mango
5. Tapón de llenado de gasolina
6. Rueda
7. Hilo de corte
8. Guía de corte
9. Cabezal de corte
10. Protección del borde
11. Varilla del nivel de aceite
12. Guía de la cuerda
13. Tirador del cordón de arranque

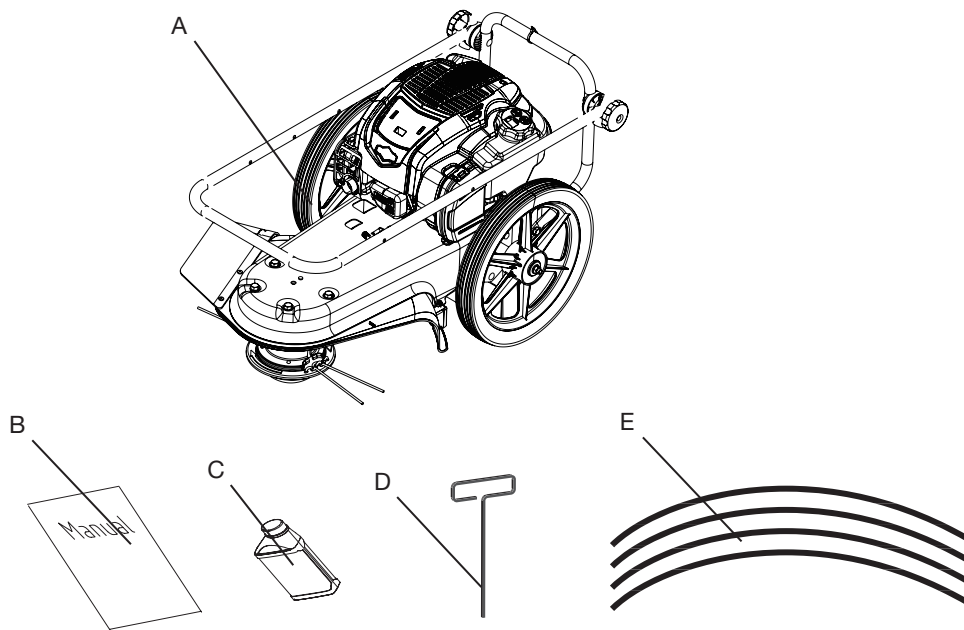
LISTA DE PIEZAS

LISTA DE PIEZAS

Con cuidado, saque el cortabordes del embalaje y compruebe que las piezas siguientes están incluidas:

- A. Unidad principal del cortabordes con mangos 1 ud.
- B. Manual 1 ud.
- C. Aceite de motor (SAE30 15 oz.) 1 ud.
- D. Llave con mango en T 1 ud.
- E. Hilo de corte 4 ud.

Fig. 2



USO PREVISTO

Este cortabordes de empuje a gasolina ha sido diseñado para cortar el césped en zonas residenciales. La herramienta solo debe utilizarse para el uso previsto. Cualquier otro uso se considerará un uso indebido. El usuario, y no el fabricante, será responsable de cualquier tipo de daños o lesiones que pudieran derivarse de ello.

Tenga en cuenta que este equipo no ha sido diseñado para uso comercial o aplicaciones industriales. Nuestra garantía se anulará si se utiliza la herramienta en negocios comerciales o industriales, o para fines equivalentes.

ESPECIFICACIONES TÉCNICAS

ESPECIFICACIONES TÉCNICAS

Tipo de motor	De un cilindro y de 4 tiempos
Cilindrada	163 cc
Velocidad del motor	3100±100 rpm
Trayectoria de corte	22" (56 cm)
Altura de corte	1.5"-3" (38-76 mm)
Hilo de corte	0.155" (4 mm)
Diámetro de las ruedas	14"

MONTAJE

Lea las instrucciones de montaje y ajuste, y síguelas. No elimine ninguna pieza ni material hasta que esté montado el aparato.



NOTA: El par se mide en pies-libra (la unidad métrica es Nm). La medición describe lo apretada que debe estar una tuerca o un tornillo. El par se mide con una llave dinamométrica.



ADVERTENCIA Para montar el cortabordes, utilice siempre gafas de seguridad o protección ocular que cumplan las normas ANSI.



ADVERTENCIA

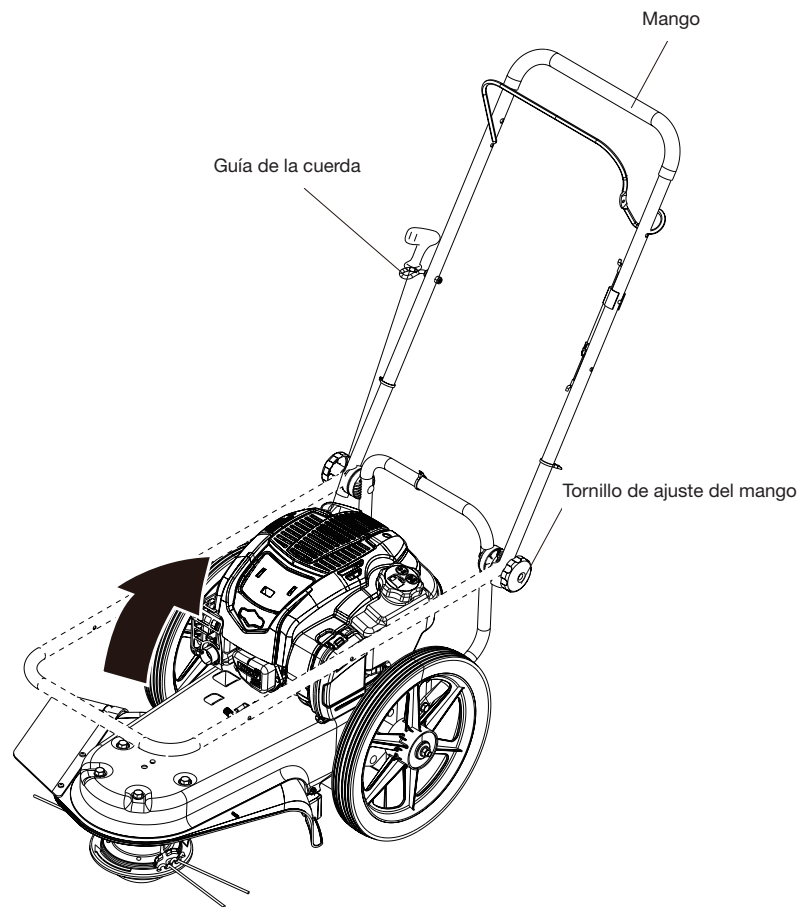
Antes de realizar trabajos de montaje o mantenimiento en el aparato, quite el cable de la bujía.

AJUSTE DEL MANGO

1. Ajuste los tornillos hasta que se desengranen los dientes de la rueda dentada. No quite los tornillos de ajuste del mango (ver fig. 3).
2. Separe los laterales del mango y gire el mango hasta la posición que desee detrás del cortabordes.
3. Colóquese en la posición del usuario detrás del cortabordes, para asegurarse de que el mango esté ajustado a una posición cómoda.
4. Apriete los tornillos de ajuste del mango.
5. Para colocar el tirador del cordón de arranque en la guía de la cuerda, enganche la cuerda a través de la guía de la cuerda montada en el lado derecho del mango.

MONTAJE

Fig. 3



MONTAJE

PREPARACIÓN DEL MOTOR

EL MOTOR NO CONTIENE ACEITE NI GASOLINA CUANDO SE ENVÍA Consulte en las instrucciones del fabricante del motor el tipo de gasolina y aceite que debe utilizar. Antes de utilizar el aparato, lea la información relativa a la seguridad, el funcionamiento, el mantenimiento y el almacenamiento.

Este cortabordes se suministra con un recipiente de 15 oz. de aceite de motor SAE30. Debe añadir este aceite al motor antes de ponerlo en marcha. Siga el procedimiento que se indica a continuación para llenar con aceite el cárter.

No use nunca aditivos con el aceite recomendado.

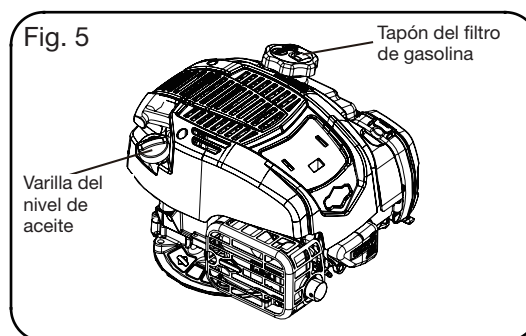
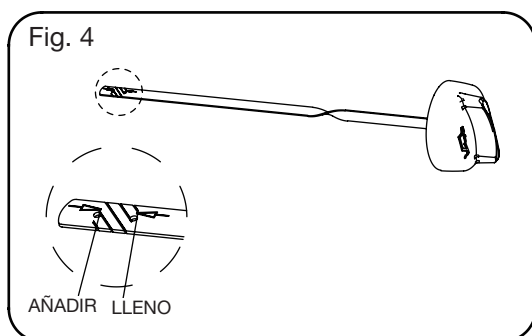
El motor es del tipo «Comprobar y añadir», y no hay que cambiar nunca el aceite.

COMPROBAR EL NIVEL DE ACEITE Y LLENAR HASTA EL NIVEL ADECUADO

1. Coloque el cortabordes sobre una superficie nivelada.
2. Quite la varilla del nivel de aceite y limpie el aceite con un paño.
3. Vuelva a introducir la varilla y NO la enrosque. Saque la varilla y compruebe el nivel de aceite
4. Si el depósito de aceite está lleno, el aceite llegará hasta la marca de límite superior de la varilla. (Ver fig. 4).
5. Si el nivel está cerca o por debajo del límite inferior de la varilla (ver fig. 4), añada aceite SAE30 (o equivalente) lentamente y vuelva a comprobar, hasta que el nivel alcance la marca de límite superior de la varilla. NO LO LLENE DEMASIADO.
6. Vuelva a poner la varilla y apriétela.
7. Limpie el aceite que se haya derramado.



NOTA: Cuando añada aceite, introduzca con frecuencia la varilla de nivel de aceite y compruebe la cantidad de aceite que hay en el motor. NO LO LLENE DEMASIADO. (Ver fig. 5)



LLENAR EL DEPÓSITO



¡PRECAUCIÓN! Use siempre gasolina limpia, fresca y sin plomo. Compre combustible en cantidades que se puedan usar dentro de un plazo de 30 días. No mezcle nunca aceite y gasolina.



¡PRECAUCIÓN! No llene hasta la base de la boca de llenado, para permitir la expansión del combustible. No llene demasiado el depósito de combustible.



¡PRECAUCIÓN! ¡ADVERTENCIA! La gasolina es muy inflamable, por lo que deben extremarse las precauciones cuando se la manipule y se trabaje con ella. Mantener fuera del alcance de los niños.



¡PRECAUCIÓN! El motor se envía sin aceite y sin gasolina para evitar que se dañe. El motor debe llenarse con gasolina y aceite del grado correcto antes de arrancarlo.



ADVERTENCIA Consulte en las instrucciones del fabricante del motor el tipo de gasolina y aceite que debe utilizar. Utilice siempre un recipiente de gasolina de seguridad. No fume cuando esté repostando gasolina en el motor. No reposte gasolina en un espacio cerrado. Pare el motor antes de añadir gasolina. Deje que el motor se enfríe durante varios minutos.

MONTAJE



¡ADVERTENCIA! Llene el depósito de combustible en una zona bien ventilada y con el motor parado. No fume y no permita que haya llamas o chispas en el área en la que se reposta o donde se guarda la gasolina. Evite el contacto repetido o prolongado con la piel y la inhalación de vapor.



¡ADVERTENCIA! Es admisible la gasolina que tenga hasta un 10 % de etanol (gasohol). No use gasolina no autorizada, como E15 y E85.

1. Limpie la superficie alrededor del tapón de llenado de gasolina para evitar que se contamine.
2. Abra lentamente el tapón de llenado de gasolina. (Ver fig. 5)
3. Vierta gasolina en el depósito con cuidado. Evite que se derrame.
4. Antes e volver a poner el tapón de llenado de gasolina, limpie la junta y examínela.
5. Vuelva a colocar enseguida el tapón de llenado de gasolina y apriételo a mano. Limpie la gasolina que se haya derramado.

NOTA: Es normal que un motor nuevo emita humo después del primer uso.

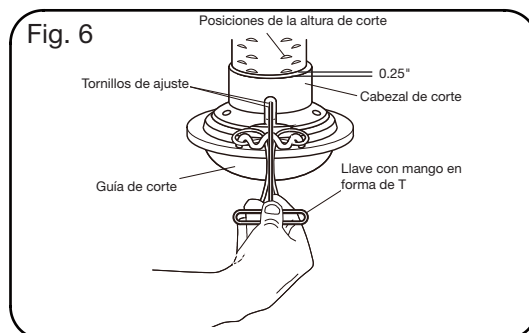
AJUSTAR LA ALTURA DE CORTE



PRECAUCIÓN Antes de ajustar la altura de corte, pare el motor. Espere hasta que todas las piezas móviles se hayan detenido. Deje que el motor se enfríe y desconecte el cable de la bujía.

La altura de corte se puede ajustar desde 1,5 a 3 pulgadas [38-76 mm]. La altura de corte recomendada para un jardín medio es 2 pulgadas [51 mm].

1. Use la llave en T que encontrará en la bolsa de piezas para aflojar los 2 tornillos de ajuste. (Ver fig. 6)
NOTA: Los 2 tornillos de ajuste están solo en un lado del cabezal de corte. Si no encuentra los tornillos de ajuste, busque en el lado contrario. Es necesario aflojar los dos tornillos para cambiar la altura de corte.
2. Deslice el cabezal de corte hacia arriba o hacia abajo, hasta la altura que desee. Desde la posición 1 a la posición 7, la altura de corte varía de 1,5" a 3" (38-76 mm), a intervalos de 0,25" entre dos posiciones.
3. Apriete los dos tornillos de ajuste 2,6-3,7 pies-libra (3,5-5 Nm).



MODO DE EMPLEO

ARRANCAR Y PARAR EL MOTORE



ADVERTENCIA: El hilo de corte empieza a girar en cuanto se arranca el motor.

NOTA: No utilice el cortabordes en áreas cerradas o mal ventiladas, ya que el gas de escape contiene sustancias tóxicas.

Mantenga las manos, los pies, el pelo y la ropa alejados de las piezas móviles de la máquina. El gas de escape y otras piezas de la máquina se calientan mucho durante el uso.

Asegúrese de que la cuchilla esté instalada de forma segura antes de arrancar el motor.



NOTA: Para arrancar el motor, asegúrese de que el tapón de la bujía esté conectado a la bujía y de que la máquina esté llena con suficiente aceite y gasolina.

ARRANCAR EL MOTOR



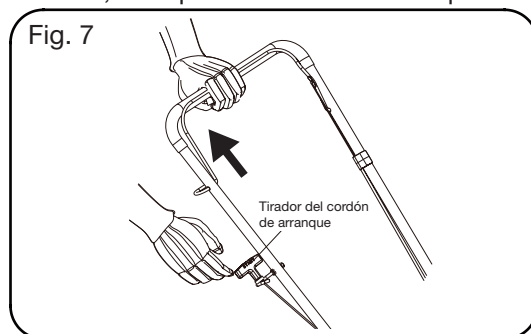
NOTA: Debido al recubrimiento protector del motor, puede producirse una pequeña cantidad de humo cuando se utiliza el cortabordes por primera vez. Esto es normal.

NOTA: El motor está equipado con un sistema de estérter automático. No es necesario cebarlo antes de arrancar.



PRECAUCIÓN No deje nunca el cortabordes sin vigilancia cuando el motor esté en marcha. Espere hasta que los hilos de corte paren de girar.

1. Este motor está equipado con un sistema de estérter automático. No es necesario cebarlo antes de arrancar.
2. Colóquese detrás del cortabordes. Tire de la barra de control de encendido/apagado del motor hacia el mango superior con una mano, y coloque la otra mano sobre el tirador del cordón de arranque (ver fig. 7).
3. Tire del mango de arranque aproximadamente de 4" a 6" (de 10 a 15 cm) hasta que note una resistencia y, a continuación, arranque el motor con un tirón fuerte. NO deje que el cordón de arranque salte hacia atrás.
NOTA: Si el motor no arranca después de tirar tres veces, repita el proceso.
4. Cuando el motor ya esté en marcha, coloque el cordón de arranque en la guía de la cuerda.



PARAR EL MOTOR

Suelte la barra de control de encendido/apagado del motor. Regresará a la posición inicial y el motor se apagará automáticamente.



PRECAUCIÓN El cabezal de corte seguirá girando durante varios segundos después de que se haya parado el motor.

MODO DE EMPLEO

USO DEL CORTABORDES

Asegúrese de que el área de corte esté despejada de piedras, palos, alambres u otros objetos que pudieran dañar el cortabordes o el motor. Esos objetos podrían ser lanzados accidentalmente por el cortabordes en cualquier dirección, y provocar lesiones graves al usuario o a otras personas.



ADVERTENCIA: Cuando se utiliza un cortabordes, es posible que salgan despedidos objetos que podrían golpear los ojos y causar lesiones oculares graves. Lleve siempre gafas de seguridad cuando utilice el cortabordes, o cuando haga ajustes o reparaciones en el aparato.

El cortabordes ha sido diseñado con una función de desplazamiento del cabezal de corte hacia la izquierda, que permite al usuario cortar a lo largo de una valla, un jardín o una casa a su derecha, sin tener que hacer ajustes en el aparato.

Sujete firmemente el mango superior con las dos manos y empuje el cortabordes hacia delante, manteniendo la guía de corte deslizándose sobre el suelo para cortar.

No corte la hierba en pendientes excesivamente pronunciadas. Utilice el medidor de pendientes para determinar si una pendiente es demasiado pronunciada para usar el aparato con seguridad. No corte en una pendiente en la que sea difícil estar de pie. No corte en pendientes en las que el suelo esté mojado o resbaladizo. Corte la hierba desplazándose perpendicularmente a la pendiente y no cuesta arriba o cuesta abajo.

PRECAUCIÓN: Mientras utilice el cortabordes, no deje que la guía de corte entre en contacto con superficies de hormigón, asfalto o grava. De lo contrario, se producirá un desgaste prematuro.

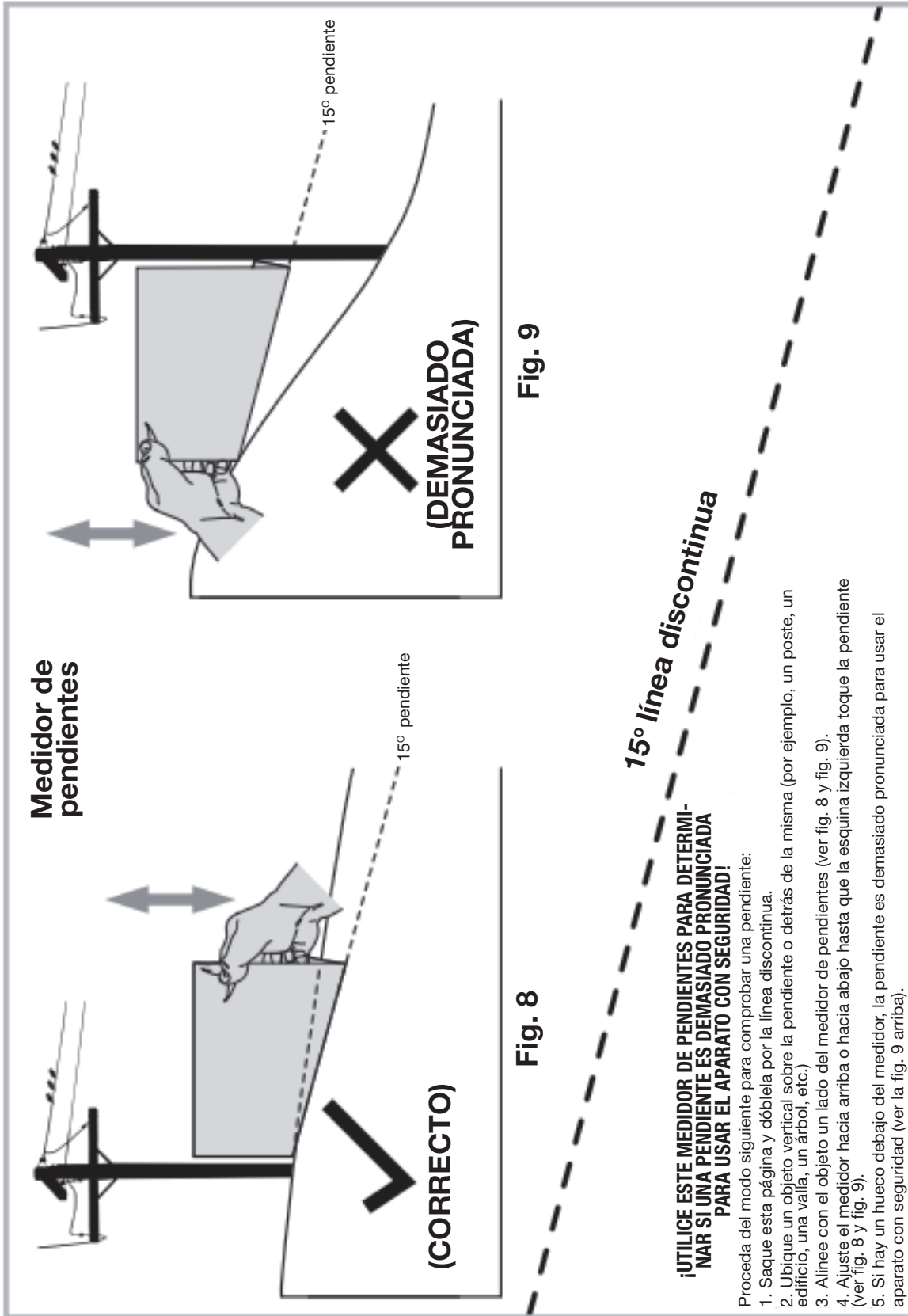
CONSEJOS DE CORTE



ADVERTENCIA Los residuos, como palos, grava y piedras, pueden salir despedidos con suficiente fuerza para causar lesiones o daños materiales.

1. Limpie el cortabordes con frecuencia para eliminar la hierba acumulada. Consulte los detalles en el apartado «Mantenimiento».
2. Para obtener un resultado óptimo y una mayor duración del hilo de corte, utilice los extremos del hilo para hacer el corte. Esto resulta fácil si se mueve lentamente a través de las hierbas muy gruesas o pesadas.
3. Si el hilo se acorta demasiado, requerirá más tiempo para realizar esta tarea. Si los hilos de corte se han desgastado hasta que quede menos de la mitad de la longitud original, cámbielos por un hilo nuevo. Consulte el punto «Cambiar el hilo de corte» en el apartado «Mantenimiento».

MODO DE EMPLEO



ADVERTENCIA Las pendientes son un factor importante en relación con los accidentes por resbalamiento o caída, que pueden provocar lesiones graves o mortales. No utilice el aparato en pendientes con una inclinación mayor que 15 grados. Debe extremar las precauciones en todas las pendientes.

Corte siempre el césped desplazándose perpendicularmente a las pendientes, y nunca cuesta arriba o cuesta abajo.



MANTENIMIENTO Y ALMACENAMIENTO

TABLA CON EL PROGRAMA DE MANTENIMIENTO PERIÓDICO

Registro de servicio: rellene las fechas cuando finalice el mantenimiento regular	ANTES DE CADA USO	Cada 5 horas	Cada 25 horas	Cada 100 horas	Ver nota	Antes del almacenamiento	Fechas de mantenimiento
Comprobar el nivel de aceite del motor	Y						
Comprobar los hilos de corte	Y				1		
Comprobar la sujeción del cabezal de corte	Y						
Limpiar el motor/la máquina	Y				2		
Comprobar tuercas y tornillos	Y						
Comprobar la bujía			Y				
Cambiar el aceite del motor			Y				
Mantenimiento del filtro de aire			Y		3		
Lubricar el conjunto del eje de unión			Y				
Lubricar los cojinetes de las ruedas			Y				

Nota 1 Cuando el hilo viejo tenga a la mitad de su longitud original, cámbielo por uno nuevo.

Nota 2 Limpiar a diario si se usa en condiciones de extrema suciedad o polvo. Limpie las acumulaciones de hierba o residuos de la pantalla de residuos.

Nota 3 Limpiar con más frecuencia si se usa en condiciones de extrema suciedad o polvo.

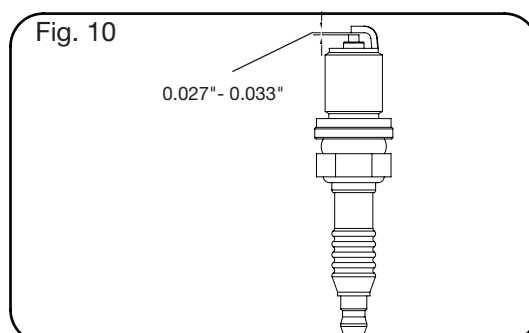
RECOMENDACIONES GENERALES

La garantía de este cortabordes no cubre los objetos que hayan sido sometidos a un uso indebido o negligente por parte del usuario. Para obtener el pleno valor de la garantía, el usuario debe realizar el mantenimiento del cortabordes siguiendo las instrucciones que se indican en este manual. Algunos ajustes deben llevarse a cabo de forma periódica para mantener el cortabordes correctamente. Todos los ajustes del apartado «Mantenimiento» deben comprobarse al menos una vez cada temporada.

MANTENIMIENTO Y ALMACENAMIENTO

MANTENIMIENTO DE LA BUJÍA

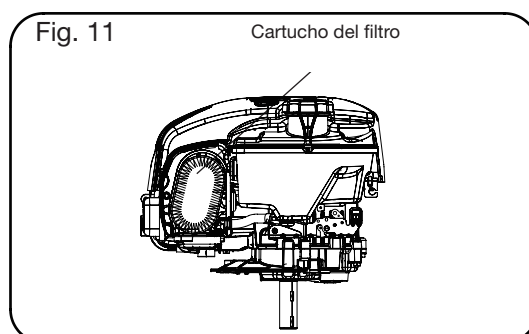
Como se muestra en la fig. 10



1. Una vez que el motor se ha enfriado, tire del tapón de la bujía con un giro.
2. Quite la bujía utilizando una llave de bujías (no incluida).
3. Limpie la bujía con un cepillo de alambre (no incluido).
4. Utilice una galga para ajustar el hueco de 0,027" a 0,033" (de 0,686 a 0,838 mm).
5. Instale la bujía con cuidado a mano, para evitar que se dañe la rosca.
6. Una vez colocada la bujía, apriete con la llave de bujías para comprimir la arandela.

MANTENIMIENTO DEL FILTRO DE AIRE

Como se muestra en la Fig. 11



Si el filtro de aire está sucio, se reduce el rendimiento del motor debido a la restricción del aire al carburador. Si el aire contiene mucho polvo, será necesario comprobar con más frecuencia el filtro de aire.



¡ADVERTENCIA! No ponga nunca en marcha el motor sin el elemento del filtro de aire instalado.

1. Presione las pestañas en la parte superior de la cubierta del filtro de aire, e incline la cubierta hacia fuera del motor para quitarla.
2. Saque el cartucho del filtro.
3. Para soltar los residuos, golpee con cuidado el cartucho del filtro contra una superficie dura. Si el cartucho del filtro está excesivamente sucio, cámbielo por uno nuevo.



Nota: No limpie nunca el cartucho del filtro de aire con gasolina ni con disolventes inflamables. Limpie el cartucho del filtro solo con aire comprimido o golpeándolo.

4. Instale el cartucho del filtro.
5. Cierre la cubierta y sujétela correctamente engancho las pestañas de nuevo en las ranuras correspondientes de la parte superior.

MANTENIMIENTO Y ALMACENAMIENTO

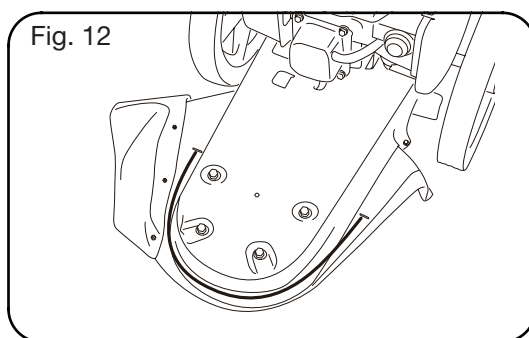
COMPROBAR Y AÑADIR ACEITE DE MOTOR

El motor Briggs & Stratton 675EXi de este cortacésped ha sido realizado con la función especial «Check & Add»(TM) (Comprobar y añadir). No es necesario cambiar nunca el aceite. Antes de cada uso, compruebe el nivel de aceite y añada más aceite en caso de que el nivel no esté entre las marcas «Min» y «Max».

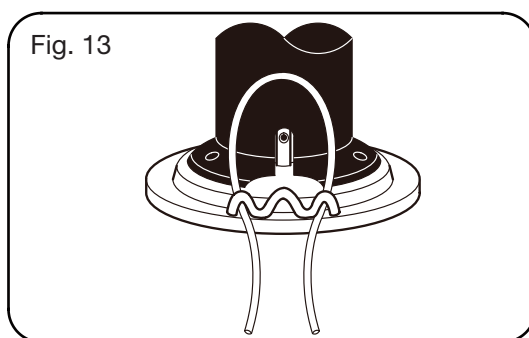
SUSTITUIR EL HILO DE CORTE

Cambie el hilo de corte cuando se haya desgastado hasta la mitad de su longitud original. Para obtener un rendimiento óptimo, use un hilo de corte de calibre grueso de 0,155 pulgadas [4 mm].

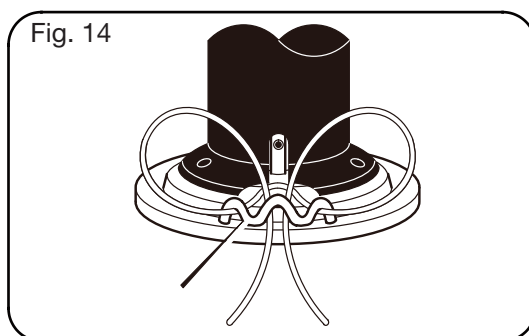
1. Pare el motor. Espere hasta que todas las piezas móviles se hayan detenido. Desconecte el cable de la bujía.
2. Quite el hilo de corte gastado del cartucho de hilo.
3. Corte el hilo a una longitud de 21,5 pulgadas [546 mm]. Use la guía de longitud que se encuentra en la cubierta para asegurarse de que el hilo de corte tiene la longitud adecuada (ver fig. 12). No deje que la longitud de los hilos varíe más de una pulgada. Asegúrese de que el cabezal de corte esté equilibrado y no vibre.



4. Pase los extremos del nuevo hilo de corte a través de los bucles exteriores. (Ver fig. 13).

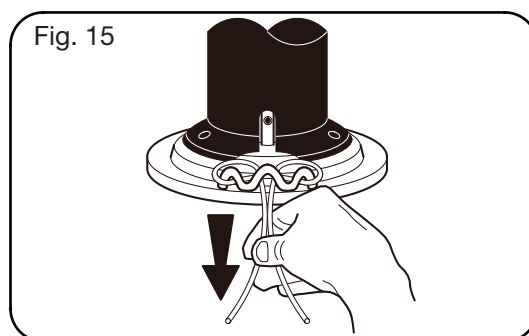


5. Tome los extremos del hilo, crúcelos por encima del cartucho del hilo, y pase los extremos a través del orificio central. (Ver fig. 14)



MANTENIMIENTO Y ALMACENAMIENTO

6. A continuación, asegúrese de que los extremos del hilo sean igual de largos. (Ver fig. 15)



7. Siga los mismos pasos en el otro lado.



¡IMPORTANTE: Para aumentar la duración del hilo de corte, manténgalo húmedo. Si no lo mantiene húmedo, el hilo de corte de nailon se secará y se quebrará. Guarde el resto de hilo de corte en un bote con agua. De este modo, el hilo se mantendrá flexible y será fácil de cambiar. Un hilo flexible también durará mucho más tiempo.

ALMACENAMIENTO DEL CORTABORDES DURANTE PERIODOS CORTOS

El cortabordes se puede guardar durante periodos cortos (menos de 15 días) sin necesidad de hacer ningún mantenimiento de almacenamiento. Antes de colocar el cortabordes en el lugar de almacenamiento, haga siempre lo siguiente:

1. Deje que el motor se enfríe completamente.
2. Compruebe que la bolsa colectora de hierba está vacía.
3. Limpie todos los residuos que haya debajo de la cubierta del cortabordes.
4. Guarde el cortabordes en una superficie plana y nivelada, con el aparato en vertical.
5. Guárdelo en un lugar seguro al que no puedan acceder los niños o las personas que no estén familiarizadas con el manejo del cortabordes.

ALMACENAMIENTO DEL CORTABORDES DURANTE PERIODOS LARGOS

Si se va a almacenar el cortabordes durante más de 15 días, hay que hacer el mantenimiento de almacenamiento. Si no se realizan los pasos siguientes, es posible que el cortabordes no arranque correctamente la próxima vez que lo utilice y que tenga que repararlo.



¡PRECAUCIÓN! No vacíe el depósito de gasolina en áreas cerradas, cerca de fuego o cuando esté fumando. Los vapores de la gasolina pueden provocar explosiones e incendios.

1. Vacíe el depósito de gasolina con una bomba de aspiración, si dispone de ella.
2. Arranque el motor y déjelo en marcha hasta que se haya consumido toda la gasolina restante.
3. Limpie las aletas de refrigeración del cilindro y la carcasa.
4. Asegúrese de limpiar la máquina completa para proteger la pintura.
5. Guarde la máquina en un lugar bien ventilado.

MANTENIMIENTO Y ALMACENAMIENTO

PROGRAMA DE MANTENIMIENTO

Realice correctamente la rutina de mantenimiento en el cortabordes para poder usarlo sin incidentes durante años. Guarde bien este manual para poder consultarlo en el futuro.

Se recomienda cumplir el siguiente programa de mantenimiento. De este modo se asegurará el funcionamiento correcto y seguro del cortabordes.

	12 horas de uso	24 horas de uso	36 horas de uso
Filtro de aire	Limpiar	Limpiar	Limpiar
Bujía	Comprobar	Limpiar	Limpiar
Aceite de motor	Comprobar	Comprobar y añadir	Comprobar y añadir

TRANSPORTAR EL CORTABORDES

Vacíe el depósito de gasolina. Deje siempre el motor en marcha hasta que se haya consumido la gasolina que quede en el depósito.

Vacíe el aceite del motor caliente. Quite el tapón de la bujía. Limpie las aletas de refrigeración del cilindro y la carcasa. Siempre que sea posible, use el embalaje original para el transporte.

SOLUCIÓN DE PROBLEMAS

Fallo/avería	Causa	Solución
El motor no arranca	No se ha presionado la barra de control de encendido/apagado del motor. La bujía está defectuosa. La cuchilla está desgastada o dañada. El depósito de combustible está vacío. El motor podría estar ahogado.	Presione la barra de control de encendido/apagado del motor. Cambie la bujía. Deberá cambiarla el centro de servicio postventa. Reposte combustible. Quite la bujía y séquela.
El motor marcha de forma inestable.	El filtro de aire está sucio. La bujía está sucia.	Limpie el filtro de aire. Limpie la bujía.
El cortabordes vibra.	Los tornillos de ajuste del cabezal de corte están flojos. Las longitudes del hilo de corte son muy diferentes. Tuercas o tornillos flojos. Cabezal de corte roto.	Apriete los tornillos de ajuste con la herramienta de mango en T. Ajuste el hilo de corte a longitudes aproximadamente iguales. Compruebe todos los tornillos y las tuercas, incluyendo los tornillos del motor. Sustituya la pieza rota.
El cabezal de corte no retiene el hilo.	El hilo de corte no se ha instalado correctamente. El cartucho de hilo está roto. El hilo de corte no es del tamaño adecuado.	Siga las instrucciones de la etiqueta o del apartado «Mantenimiento» del manual de funcionamiento. Sustituya el conjunto del cabezal de corte. Use un hilo de corte de 0,155 pulgadas (4 mm).

GARANTÍA

GARANTÍA DE YARD FORCE LIMITADA A DOS AÑOS

Garantía del producto

Guarde en un lugar seguro el recibo de compra original como justificante de compra. La cobertura de la garantía para este producto debe verificarse con el recibo de compra original. El periodo de garantía comienza el día en que se compró el producto a un distribuidor autorizado de productos Yard Force. La cobertura de la garantía solo se aplica al comprador original y no es transferible. La cobertura de la garantía se ofrece solo a productos comprados y utilizados en los EE.UU. y Puerto Rico a distribuidores Yard Force autorizados. Los productos comprados y utilizados fuera de los EE.UU. y Puerto Rico no están cubiertos por esta garantía.

Garantía de dos (2) años - Motor

El YF22-HWT tiene una garantía limitada de 2 años a partir de la fecha de compra contra defectos de fabricación, solo en caso de uso doméstico. El uso comercial anula la garantía. Esta garantía no cubre daños accidentales, uso indebido, desgaste normal, negligencia o incumplimiento de las instrucciones de funcionamiento, seguridad y mantenimiento. Todos los trabajos de servicio técnico que no estén incluidos en el mantenimiento normal descrito en este manual deberá realizarlos un técnico autorizado. Todo servicio técnico no autorizado o los cambios de la configuración original de este producto anularán la garantía. Todas las piezas y accesorios utilizados con este producto deben estar fabricados y/o autorizados por Merotec Inc.

Garantía de noventa (90) días - Accesorios

Los accesorios incluidos con el YF22-HWT, como la cuchilla y otras piezas similares, están garantizados contra defectos de fabricación en caso de uso doméstico, solo durante un periodo de 90 días a partir de la fecha de compra. La garantía no cubre la pérdida de uso ni otros daños derivados de lo anterior, ni tampoco cubre las reparaciones que realicen o intenten realizar personas no autorizadas. Esta garantía se anula en caso de que el producto se utilice para fines comerciales, de alquiler o industriales. Algunas piezas, accesorios y complementos están sometidos a un desgaste normal y están excluidos de la garantía.

Proceso de reclamación de garantía y servicio técnico

Póngase en contacto con el centro de soporte técnico de Yard Force a través del número gratuito **(866) 902-9690, de lunes a viernes, de 8:30 AM a 5:00 PM de la zona horaria del Este**, para solicitar servicio técnico y garantía.

Los agentes de servicio técnico de Yard Force USA pueden ayudarle a resolver problemas por teléfono, para que recupere la operatividad lo antes posible. En los casos en que sea necesaria una inspección de garantía o servicio técnico, procesa del modo siguiente:

1. Póngase en contacto con Yard Force USA a través del número **(866) 902-9690 o la dirección support@merotecusa.com de lunes a viernes, de 8:30 AM a 5:00 PM de la zona horaria del Este.**
2. Envíe el justificante de compra y el número de serie (si procede) para confirmar la cobertura de la garantía.
3. En caso de que se solicite una evaluación de garantía o servicio técnico, Yard Force USA le proporcionará un número RGA que deberá utilizar en todas las comunicaciones con Yard Force USA y, en caso necesario, una lista de centros de servicio técnico autorizados a los que puede llevar el cortacésped para su evaluación y reparación.
4. Todos los envíos a Yard Force USA deben llevar un número RGA. Todos los envíos recibidos que no lleven marcado claramente un número RGA en el exterior de la caja serán rechazados.
5. Todos los envíos deben realizarse a portes pagados. Yard Force USA no pagará gastos de envío para la evaluación de garantía o servicio técnico. Yard Force USA no es responsable de ningún paquete perdido por el transportista. Recomendamos realizar los envíos con un transportista que proporcione seguimiento y confirmación de entrega.

Para obtener más información o si desea plantear alguna pregunta, llame al teléfono gratuito **(866) 902-9690 o escriba a support@merotecusa.com, de lunes a viernes de 8:30 AM a 5:00 PM** del horario del Este.

GUARDE ESTAS INSTRUCCIONES



YARD FORCE[®]
OUTDOOR POWER EQUIPMENT

Need Help?

Please do not return the product to the place of purchase yet. We're here to help and take care of all your needs.



1-866-902-9690



www.YardForceUSA.com

Contact our customer service department for help with:

- Product assembly or use
- Missing or damaged parts
- Troubleshooting

You can also visit our website for typical FAQ's, downloadable troubleshooting steps and instructional videos. Replacement parts and accessories can be purchased at www.YardForceUSA.com, or call our toll free hotline: 1-866-902-9690 M-F 8:30am - 5:00pm ET

¿Necesita ayuda?

Por favor, todavía no devuelva el producto al lugar donde lo compró. Estamos aquí para ayudarle y atender todas sus necesidades.

Póngase en contacto con el departamento de servicio al cliente para ayuda con:

- Montaje o uso del producto
- Piezas faltantes o dañadas
- Resolución de problemas

También puede visitar nuestro sitio web para ver las preguntas frecuentes, los pasos de resolución de problemas descarga abrir y vídeos tutoriales. Las piezas de recambio y los accesorios se pueden comprar en www.YardForceUSA.com, o llame sin costo a nuestra línea gratuita: 1-866-902-9690 L-V 8:30am - 5:00pm ET

Merotec Inc.

3655 Kennesaw North Industrial Parkway
Kennesaw, GA 30144
Copyright © 2019 Merotec Inc.

Hecho en China en instalaciones manufactureras de SUMEC