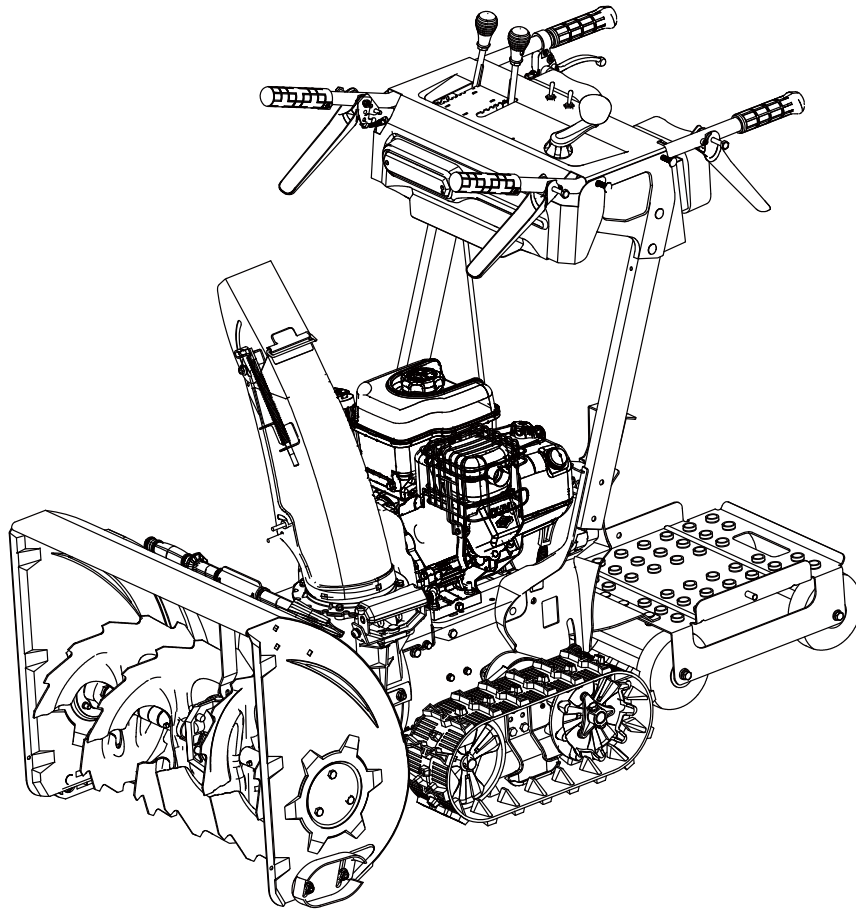




YARD FORCE[®]
OUTDOOR POWER EQUIPMENT

YF26-DS21-GSBS

26" STAND-ON SNOW BLOWER OWNER'S MANUAL



Our Customer Service staff is ready to provide assistance.

In the case of a damaged or missing part, most replacement parts ship directly from Merotec USA in Atlanta or from one of our service partners in the US.

For immediate help with assembly, or for additional product information, email support@MerotecUSA.com or call 866-902-9690 M-F 8:30am – 5:00pm ET. More information can be found on www.YardForceUSA.com.



SAVE THIS MANUAL FOR REFERENCE

You will need this manual for safety instructions, operating procedures, and Warranty.



The original sales receipt is required for warranty service.

YARD FORCE

YF26-DS21-GSBS Original Instructions

TABLE OF CONTENTS

Safety Instructions.....	3
Description of Symbols.....	10
Parts List.....	12
Product Specifications.....	14
Assembly.....	15
Operation.....	19
Maintenance and Storage.....	28
Troubleshooting.....	35
Transportation, storage and disposal.....	37
Warranty.....	38

SAFETY INSTRUCTIONS



WARNING!

Some dust created by power sanding, sawing, grinding, drilling and other construction activities contains chemicals known to the state of California to cause cancer, birth defects or other reproductive harm. Some examples of these chemicals are:

- Lead from lead - based paints
- Crystalline silica from bricks and cement and other masonry products, and
- Arsenic and chromium from chemically -treated lumber.

Your risk from these exposures varies, depending on how often you do this type of work. To reduce your exposure to these chemical: work in a well ventilated area, and work with approved safety equipment, such as those dust masks that are specially designed to filter out microscopic particles. For more information go to www.P65warnings.ca.gov.



DANGER: This machine was built to be operated according to the rules for safe operation in this manual. As with any type of power equipment, carelessness or error on part of the operator can result in serious injury. This machine is capable of amputating hands and feet and throwing objects. Failure to observe the following safety instructions could result in serious injury or death.



WARNING: Engine Exhaust, some of its constituents, and certain vehicle components contain or emit chemicals known to cause cancer and birth defects or other reproductive harm.



WARNING: This symbol points out important safety instructions which, if not followed, could endanger the personal safety and/or property of yourself and others. Read and follow all instructions in this manual before attempting to operate this machine. Failure to comply with these instructions may result in personal injury. When you see this symbol. **HEED ITS WARNING!**

Your Responsibility: Restrict the use of this power machine to persons who read, understand and follow the warnings and instructions in this manual and on the machine.

IMPORTANT

Safe Operation Practices for Stand-on Snow Blower.

This snow thrower is capable of amputating hands and feet and throwing objects. Failure to observe the following safety instructions could result in serious injury.

SAFETY INSTRUCTIONS

1. Read, understand, and follow all instructions on the machine and in the manual(s) before attempting to assemble and operate this unit. Keep this manual in a safe place for future and regular reference and for ordering replacement parts.
2. Be familiar with all controls and their proper operation. Know how to stop the machine and disengage them quickly.
3. Never allow children under 14 years old to operate this machine. Children 14 years old and over should read and understand the operation instruction and safety rules in this manual and should be trained and supervised by parent.
4. Never allow adults to operate this machine without proper instruction.

SAFETY INSTRUCTIONS

5. Thrown objects can cause serious personal injury. Plan your snow-throwing pattern to avoid discharge of material toward roads, bystanders and the like.
6. Keep bystanders, helpers, pets and children at least 75 feet from the machine while it is in operation. Stop machine if anyone enters the area.
7. Exercise caution to avoid slipping or falling, especially when operating in reverse.

PREPARATION FOR USE

1. Thoroughly inspect the area where the equipment is to be used. Remove all doormats, newspapers, sleds, boards, wires and other foreign objects, which could be tripped over or thrown by the auger/impeller.
2. Always wear safety glasses or eye shields during operation and while performing an adjustment or repair to protect your eyes. Thrown objects which ricochet can cause serious injury to the eyes.
3. Do not operate the equipment without wearing adequate winter garments. Avoid loose fitting clothing that can get caught in moving parts. Do not wear jewelry, long scarves or other loose clothing, which could become entangled in moving parts. Wear footwear which will improve footing on slippery surfaces.
4. Use a grounded three-wire extension cord and receptacle for all units with electric start engines.
5. Adjust collector housing height to clear gravel or crushed rock surfaces.
6. Disengage all clutches and shift into neutral before starting the engine.
7. Never attempt to make any adjustments while engine is running, except where specifically recommended in the operator's manual.
8. Let engine and machine adjust to outdoor temperature before starting to clear snow.
9. To avoid personal injury or property damage use extreme care in handling gasoline. Gasoline is extremely flammable and the vapors are explosive. Serious personal injury can occur when gasoline is spilled on yourself or your clothes, which can ignite. Wash your skin and change clothes immediately.
 - a. Use only an approved gasoline container.
 - b. Extinguish all cigarettes, cigars, pipes and other sources of ignition.
 - c. Fill fuel tank outdoors with extreme care. Never fill fuel tank indoors.
 - d. Never remove gas cap or add fuel while the engine is hot or running.
 - e. Allow engine to cool at least two minutes before refueling.
 - f. Never over fill fuel tank. Fill tank to no more than 1/2 inch below bottom of filler neck to provide space for fuel expansion.
 - g. Never fill containers inside a vehicle or on a truck or trailer bed with a plastic liner. Always place containers on the ground, away from your vehicle, before filling.
 - h. When practical, remove gas-powered equipment from the truck or trailer and refuel it on the ground. If this is not possible, then refuel such equipment on a trailer with a portable container, rather than from a gasoline dispenser nozzle.
 - i. Keep the nozzle in contact with the rim of the fuel tank or container opening at all times, until refueling is complete. Do not use a nozzle lock-open device.
 - j. Replace gasoline cap and tighten securely.
 - k. If gasoline is spilled, wipe it off the engine and equipment. Move machine to another area. Wait 5 minutes before starting the engine.
 - l. Never store the machine or fuel container inside where there is an open flame, spark or

SAFETY INSTRUCTIONS

- pilot light (e.g. furnace, water heater, space heater, clothes dryer etc.)
- m. Allow machine to cool at least 5 minutes before storing.
 - n. If fuel is spilled on clothing, change clothing immediately.

Electrical Safety

1. NOTE: Use an extension cord recommended for outdoor use that is not longer than 50 feet (15 m).

The electrical cord can become damaged, causing a shock or fire. Thoroughly inspect the electrical cord before plugging it into a power source. If the cord is damaged, do not use it to start the snow thrower. Replace or repair the damaged cord immediately. Contact an Authorized Service Dealer for assistance.

2. Ground fault circuit interrupter (GFCI) protection should be provided on the circuit(s) or outlet(s) to be used for the snow thrower. Receptacles are available having built-in GFCI protection and may be used for this measure of safety.
3. To prevent electric shock, use only with an extension cord suitable for outdoor use, such as SW-A, SOW-A, STW-A, STOW-A, SJW-A, SJOW-A, SJTW-A, or SJTOW-A. Before use, check that the extension cord is in good condition. When using an extension cord, make sure to use one heavy enough to carry the current your product will draw. For lengths less than 50 ft. (15 m), a No.16 AWG (or greater) extension cord should be used. An undersized cord will cause a drop in line voltage resulting in loss of power and overheating.
4. To reduce the risk of electric shock, this appliance has a polarized plug (i.e. one blade is wider than the other). Use this appliance only with a polarized UL-, CSA- or ETL-rated extension cord for outdoor, all-weather use.

The appliance power socket will fit into a polarized extension cord only one way.

Electric shock may cause SEVERE INJURY or DEATH. Heed these warnings:

- Do not allow any part of the machine to make contact with water while it is in operation. If the appliance becomes wet while turned off, wipe dry before starting.
- Use only a UL-, CSA- or ETL-rated extension cord for outdoor, all-weather use.
- Do not use an extension cord over 50 ft (15 m).
- Do not touch the appliance or its plug with wet hands

Maximum Cord Length: 50 ft (15 m)

Min. Wire Gauge (A.W.G.): 16

Safe handling of gasoline

To avoid personal injury or property damage use extreme care in handling gasoline. Gasoline is extremely flammable and the vapors are explosive. Serious personal injury can occur when gasoline is spilled on yourself or your clothes, which can ignite. Wash your skin and change clothes immediately.

Use only an approved gasoline container.

1. Use only an approved gasoline container.
2. Extinguish all cigarettes, cigars, pipes and other sources of ignition.
3. Fill fuel tank outdoors with extreme care. Never fill fuel tank indoors.
4. Never remove gas cap or add fuel while the engine is hot or running.
5. Allow engine to cool at least two minutes before refueling.

SAFETY INSTRUCTIONS

6. Never over fill fuel tank. Fill tank to no more than 1/2 inch below bottom of filler neck to provide space for fuel expansion.
7. Never fill containers inside a vehicle or on a truck or trailer bed with a plastic liner. Always place containers on the ground, away from your vehicle, before filling.
8. When practical, remove gas-powered equipment from the truck or trailer and refuel it on the ground. If this is not possible, then refuel such equipment on a trailer with a portable container, rather than from a gasoline dispenser nozzle.
9. Keep the nozzle in contact with the rim of the fuel tank or container opening at all times, until refueling is complete. Do not use a nozzle lock-open device.
10. Replace gasoline cap and tighten securely.
11. If gasoline is spilled, wipe it off the engine and equipment. Move machine to another area. Wait 5 minutes before starting the engine.
12. Never store the machine or fuel container inside where there is an open flame, spark or pilot light (e.g. furnace, water heater, space heater, clothes dryer etc.)
13. Allow machine to cool at least 5 minutes before storing.
14. If fuel is spilled on clothing, change clothing immediately.

OPERATION TIPS

1. Do not put hands or feet near rotating parts, in the auger/impeller housing or chute assembly. Contact with the rotating parts can amputate hands and feet. Keep clear of the discharge opening at all times.
2. After striking a foreign object, stop the engine (motor), remove the wire from the spark plug, disconnect the cord on electric motors, thoroughly inspect the snow thrower for any damage, and repair the damage before restarting and operating the snow thrower.
3. Stop the engine (motor) whenever you leave the operating position, before unclogging the collector/impeller housing or discharge chute, and when making any repairs, adjustments or inspections.
4. When cleaning, repairing or inspecting the snow thrower, stop the engine and make certain the collector/impeller and all moving parts have stopped. Disconnect the spark plug wire and keep the wire away from the plug to prevent someone from accidentally starting the engine
5. The auger/impeller control lever is a safety device. Never bypass its operation. Doing so makes the machine unsafe and may cause personal injury.
6. The control levers must operate easily in both directions and automatically return to the disengaged position when released.
7. Never operate the snow thrower without proper guards, and other safety protective devices in place and working.
8. Never run an engine indoors or in a poorly ventilated area. Engine exhaust contains carbon monoxide, an odorless and deadly gas.
9. Do not operate machine while under the influence of alcohol or drugs.
10. Exercise extreme caution when operating on or crossing gravel surfaces. Stay alert for hidden hazards or traffic.
11. Exercise caution when changing direction and while operating on slopes.
12. Plan your snow-throwing pattern to avoid discharging towards windows, walls, cars etc. Thus, avoiding possible property damage or personal injury caused by a ricochet.
13. Never direct the discharge toward people or areas where property damage can occur. Keep children and others away.
14. Do not overload machine capacity by attempting to clear snow at too fast of a rate.

SAFETY INSTRUCTIONS

15. Never operate this machine without good visibility or light. Always be sure of your footing and keep a firm hold on the handles. Walk, never run.
16. Disengage power to the auger/impeller when transporting or not in use.
17. Never operate machine at high transport speeds on slippery surfaces. Look down and behind and use care when backing up.
18. If the machines should start to vibrate abnormally, stop the engine, disconnect the spark plug wire and ground it against the engine. Inspect thoroughly for damage. Repair any damage before starting and operating.
19. Disengage all control levers and stop engine before you leave the operating position(behind the handles). Wait until the auger/impeller comes to a complete stop before unclogging the chute assembly, making any adjustments, or inspections.
20. Never put your hand in the discharge or collector openings. Always use the clean-out tool provided to unclog the discharge opening. Do not unclog chute assembly while engine is running. Shut off engine and remain behind handles until all moving parts have stopped before unclogging.
21. Use only attachments and accessories approved by the manufacturer (e.g. wheel weights, tire chins, cabs etc.).
22. Never touch a hot engine or muffler
23. If situations occur which are not covered in this manual, use care and good judgment. Contact your Service Center for assistance.
24. Slopes are a major factor related to loss of control and tip-over accidents, which can result in severe injury or death.
25. Operation on all slopes requires extra caution.
26. If you can not back up the slope or if you feel uneasy on it, do not clear it. Never use on steep slopes greater 10°.
27. Clearing up and down slopes, not across.
 - Never attempt to ride on a steep slope or mow a slope that is greater than 10°. To determine the angle of your slope, use the Slope Guide at the back of this manual.
 - Use a slow speed so you will not have to stop suddenly or accidentally accelerate while on a slope.
 - Avoid starting, stopping, or turning on a slope.
 - Keep all movement on slopes slow and gradual. Do not make sudden changes in speed or direction, which could cause the machine to roll over.

SAFETY INSTRUCTIONS

Clearing a Clogged Discharge Chute

Hand contact with the rotating impeller inside the discharge chute is the most common cause of injury associated with snow throwers. Never use your hand to clean out the discharge chute.

To clear the chute:

1. SHUT THE ENGINE OFF!
2. Wait 10 seconds to be sure the impeller blades have stopped rotating.
3. Always use a clean-out tool, not your hands.

Maintenance & Storage safety

1. Never tamper with safety devices. Check their proper operation regularly. Refer to the maintenance and adjustment sections of this manual.
2. Before cleaning, repairing, or inspecting machine disengage all control levers and stop the engine. Wait until the auger/impeller come to a complete stop. Disconnect the spark plug wire and ground against the engine to prevent unintended starting.
3. Check bolts and screws for proper tightness at frequent intervals to keep the machine in safe working condition. Also, visually inspect machine for any damage.
4. Do not change the engine governor setting or over-speed the engine.
5. Snow thrower shave plates and skid shoes are subject to wear and damage. For your safety protection, frequently check all components and replace with original equipment manufacturer's (OEM) parts only. "Use of parts which do not meet the original equipment specifications may lead to improper performance and compromise safety!"
6. Check controls periodically to verify they engage section in this operator's manual for instructions.
7. Maintain or replace safety and instruction labels, as necessary.
8. Never store the machine with fuel in the fuel tank inside a building where ignition sources are present such as hot water heaters, space heaters, or clothes dryers. Allow the engine to cool before storing in any enclosure.
9. Observe proper disposal laws and regulations for gas, oil, etc. to protect the environment.
10. Prior to storing, run machine a few minutes to clear snow from machine and prevent freeze up of auger/impeller.
11. Never store the machine or fuel container inside where there is an open flame, spark or pilot light such as a water heater, furnace, clothes dryer etc.
12. Always refer to the operator's manual for proper instructions on off-season storage.
13. If you need to change the belts, please contact the distributor or local agent. Do not change them by yourself.

Do not modify engine

To avoid serious injury or death, do not modify engine in any way. Tampering with the governor setting can lead to a runaway engine and cause it to operate at unsafe speeds. Never tamper with factory setting of engine governor.

SAFETY INSTRUCTIONS

Residual risks

Even when the machine is used as prescribed it is not possible to eliminate all residual risk factors. The following hazards may arise in connection with the machine's construction and design:

- Damage to lungs if an effective dust mask is not worn.
- Damage to hearing if effective hearing protection is not worn.
- Damages to health resulting from vibration emission if the machine is being used over longer period of time or not adequately managed and properly maintained.



WARNING! This machine produces an electromagnetic field during operation. This field may under some circumstances interfere with active or passive medical implants. To reduce the risk of serious or fatal injury, we recommend persons with medical implants to consult their physician and the medical implant manufacturer before operating this machine.

The declared vibration total value has been measured in accordance with a standard test method and may be used for comparing one tool with another.

The declared vibration total value may also be used in a preliminary assessment of exposure.



WARNING! The vibration emission during actual use of the power tool can differ from the declared total value depending on the ways in which the tool is used.

There is the need to identify safety measures to protect the operator that are based on an estimation of exposure in the actual conditions of use (taking account of all parts of the operating cycle such as the times when the tool is switched off and when it is running idle in addition to the trigger time).

DESCRIPTION OF SYMBOLS

The following symbols may be used on this product. Please study them and learn their meaning. Proper description of these symbols will allow you to operate the product safely.



WARNING: Please read all of the safety and operating instructions carefully before using this tool. Please pay particular attention to all sections of this User Manual that carry warning symbols and notices. Some of the following symbols may be used on this tool.



To reduce the risk of injury, user must read and understand the instruction manual before operating this product.



Rotating Impeller. Never use your hands to clear a clogged chute assembly. SHUT OFF engine and remain behind handles until all moving parts have stopped before unclogging.



Rotating parts. Never put your hand in the chute. Contact with rotating parts can amputate fingers and hands.



WARNING— CARBON MONOXIDE

Never run an engine indoors or in a poorly ventilated area. Engine exhaust contains carbon monoxide, an odourless and deadly gas.



Risk of asphyxiation. This engine emits carbon monoxide, a colorless, odorless poison gas. Breathing carbon monoxide can cause nausea, fainting or death. Use only in a well-ventilated area.



Hot surface. Do not touch! Exhaust gases, muffler and engine components are extremely HOT and cause burns.



Risk of fire. Fuel and its vapours are extremely flammable and explosive. Fire can cause severe burns or death. Do not add fuel while the product is operating or still hot.



Rotating Auger. Danger: Avoid injury from rotating auger. Keep feet away.



Thrown Objects. This machine may pick up and throw objects which can cause serious personal injury.



Safe Distance. Bystanders to keep a safe distance.



WARNING — SLOPE OPERATION

Go up and down slopes, not across. Use extra caution on slopes.



Do not clear or drive on slopes greater than 10°.



Do not stop the machine on the slope.

DESCRIPTION OF SYMBOLS



WARNING! Turn the machine OFF and disconnect it from the power supply before inspecting, cleaning, changing accessories, or conducting any other maintenance task.



Wear eye protection. Always wear safety goggles or safety glasses with side shields.



Wear ear protection. Always wear full ear protection when operating this product.



Wear protective gloves and nonslip footwear when using the machine and handling debris.



DANGER: KEEP HANDS AND FEET AWAY.



Fuel shutoff. Remove the engine key and shutoff the fuel valve.



Shut off engine and remove key before performing maintenance or repair work.



Use clean, fresh, regular unleaded gasoline with a minimum octane rating of 87 and an ethanol content of less than 10% by volume.



Insert ignition key.



Remove ignition key.



Cold prime.



Warm prime.



Move the fuel valve lever to the "ON" position.



Move the fuel valve lever to the "OFF" position.



Move the throttle lever to full speed.



Lower the speed of the engine.



Choke opened. When the engine starts, move the choke lever to the "OFF" position.



Choke closed, to start a cold engine, move the choke lever to the "FULL" position.



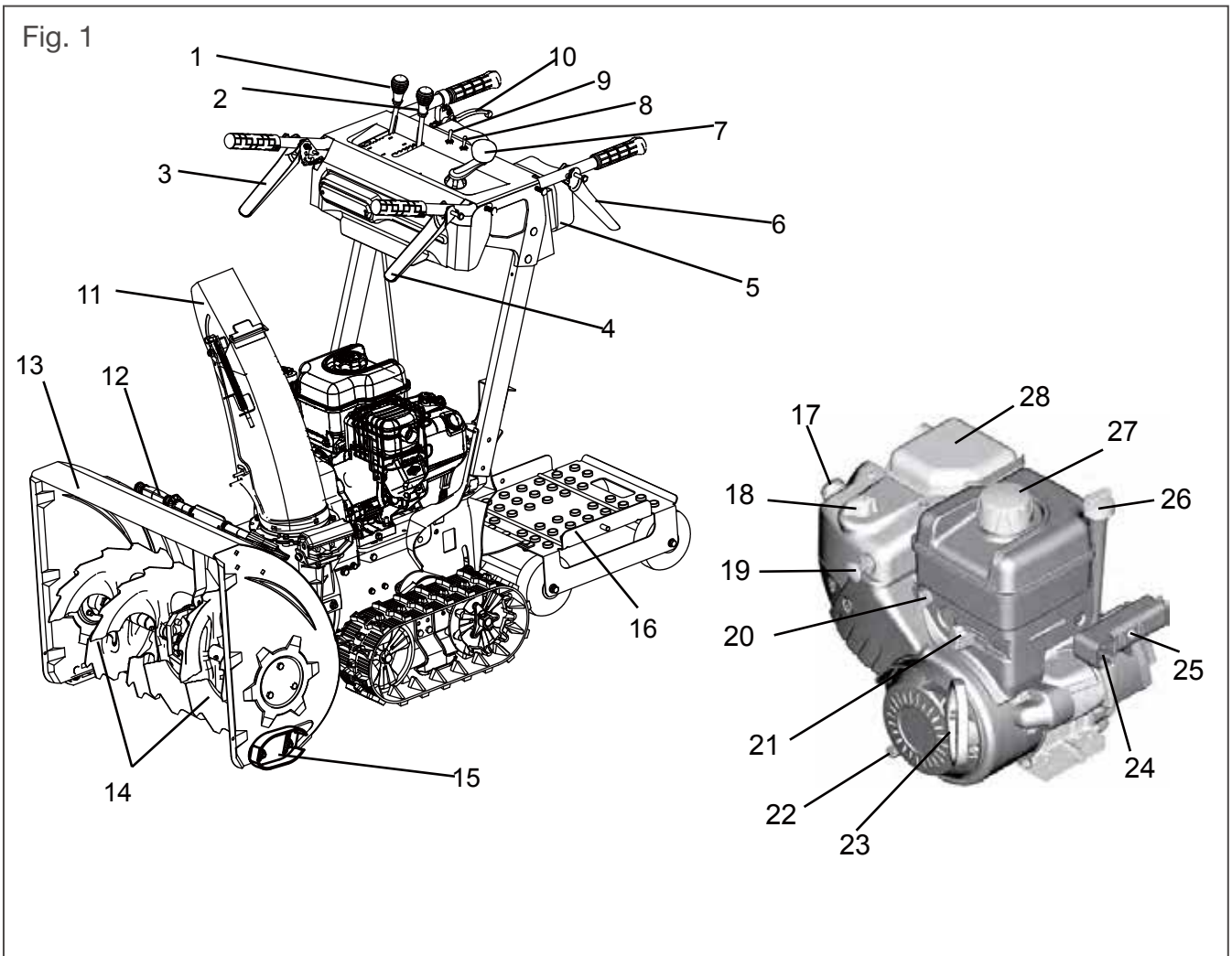
Explosion Hazard



Shock Hazard

PARTS LIST

KNOW YOUR SNOW BLOWER

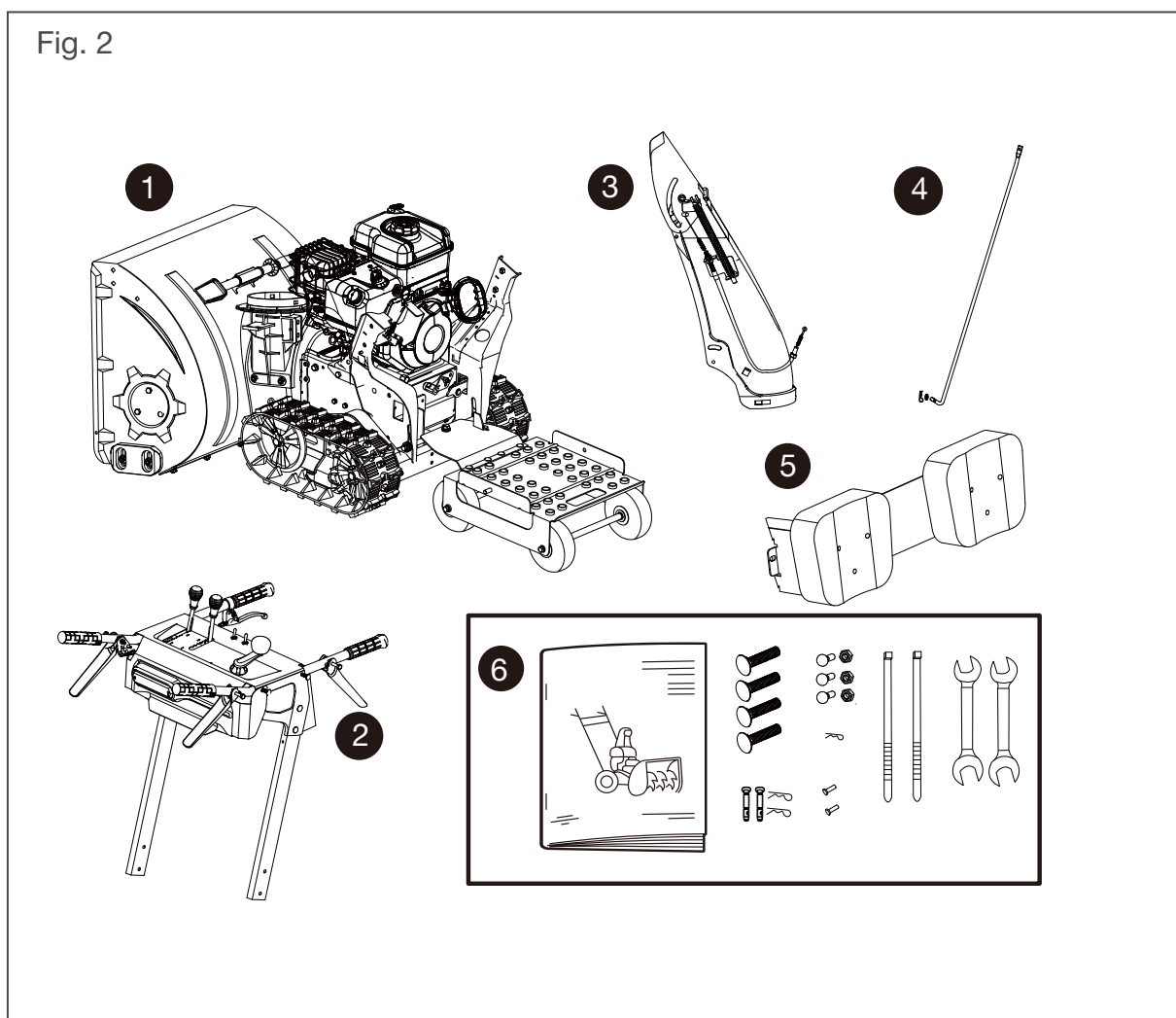


1. Speed Select Lever
2. Chute Deflector Control
3. Auger Control
4. Drive Control (front)
5. Foam Pad
6. Drive Control (rear)
7. Chute Direction Control
8. LED Headlight Switch
9. Heating Handle Switch
10. Parking Trigger
11. Chute Deflector
12. Clean-out Tool
13. Auger Housing
14. Auger
15. Skid Shoes
16. Stand-on Platform

17. Primer
18. Choke Control
19. Key
20. Fuel Valve Lever
21. Throttle Control
22. Oil Drain Plug
23. Starter Cord Handle
24. 120V Receptacle
25. Push Button Electric Start
26. Dipstick/Oil Fill
27. Fuel Tank Cap
28. Muffler

PARTS LIST

PARTS LIST



- 1 Main Body of Snow Blower *1pc
- 2 Upper Handle Assy. *1pc
- 3 Chute Assembly *1pc
- 4 Speed Control Rod *1pc
- 5 Foam Pad Brace*1pc
- 6 Components
 - a) Handle Fixing Bolts *4pcs
 - b) Carriage Bolts & Nuts *3pcs
 - c) Spare Shear Pins *2pcs
 - d) Spare Cotter Pin *1pc
 - e) Pad fixing screws *2pcs
 - f) Zip Tie *2pcs
 - g) Wrench *2pcs
 - h) Owner's Manual

PRODUCT SPECIFICATIONS

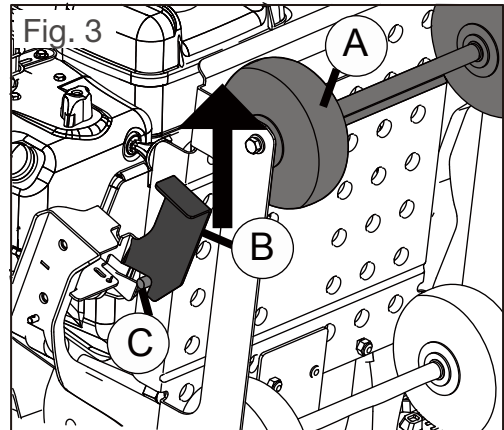
Some parameters may be changed due to improvement, only for reference, not for acceptance.

Engine Displacement	250CC
Gasoline capacity and type	2.7L(0.71 U.S.Gal)Unleaded regular (maximum 10% ethanol)
Oil type (API SJ-SN)	SAE 5W30 (above 0°C (32°F) SAE 0W30 (below 0°C (32°F)
Oil capacity	0.6 L (20oz)
Spark plug	QC12YC or equivalent spark plug
Spark plug electrode gap	0.0275" to 0.315" (0.7mm to 0.8mm)
Clearing Width	26 in
Intake Height	21 in
Throwing Distance	Up to 40 ft.
Operating Temperature	-4°F to 50°F (-20°C to 10°C)
Storage Temperature	-4°F to 158°F (-20°C to 70°C)

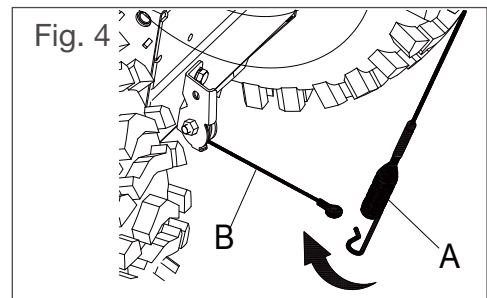
ASSEMBLY

STEP ONE: Install the upper handle.

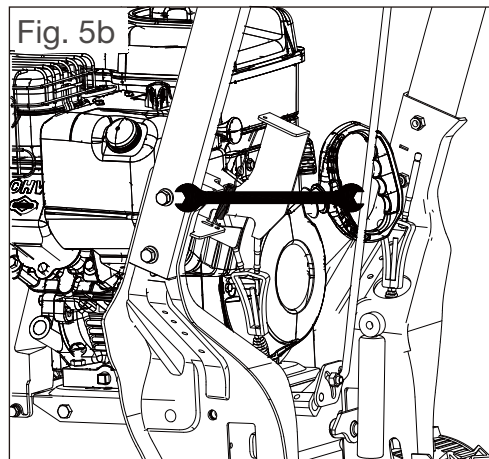
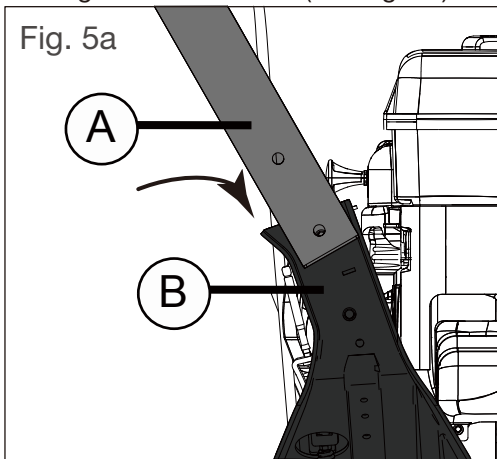
1. Hold the stand-on platform wheel shaft (Fig. 3 A), then pull the locking plate (Fig. 3 B) upward, then put the stand-on platform to the ground slowly. Be aware to keep feet away from the stand-on platform.



2. Attach the drive control cable hook (Fig. 4 A) from upper handle to cable ring (Fig. 4 B) out from the bottom rear of the snow blower.



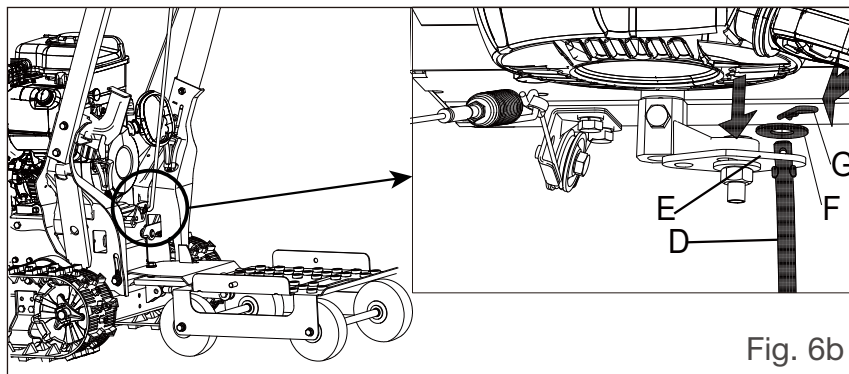
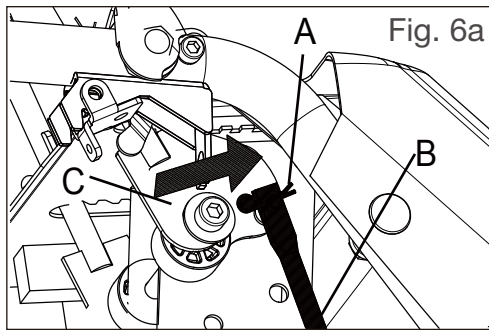
3. Lift up the upper handle assembly. Slide the bars (Fig. 5a A) into the brackets (Fig. 5a B). Insert (4) bolts and tighten with wrench (see Fig. 5b).



STEP TWO: Assemble the speed control rod

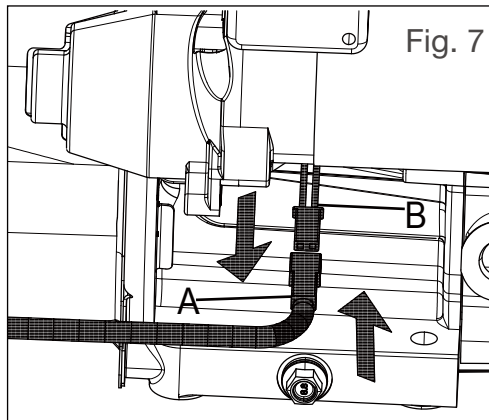
1. Attach the straight side of the speed control rod (Fig. 6a B) to the pin on the bottom part of the speed control lever (Fig. 6a C), and secure it in place with the cotter pin attached (Fig. 6a A).
2. Insert the angled side (Fig. 6b D) of the speed control rod into the hole on the lever (Fig. 6b E) to connect it to the rod, and secure it in place with the washer (Fig. 6b F) and the cotter pin attached (Fig. 6b G).

ASSEMBLY



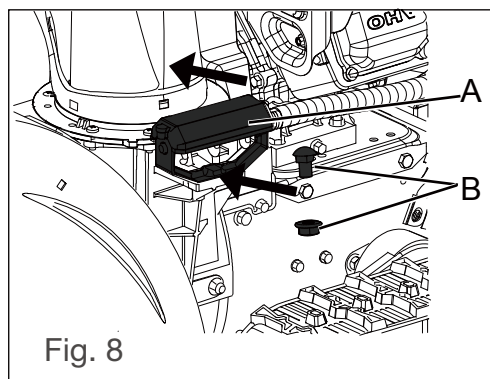
STEP THREE: Connect the electric cables to engine

Connect the cables from upper handle to the cable out from engine. (Fig.7)



STEP FOUR: Connect chute gear control to chute seat

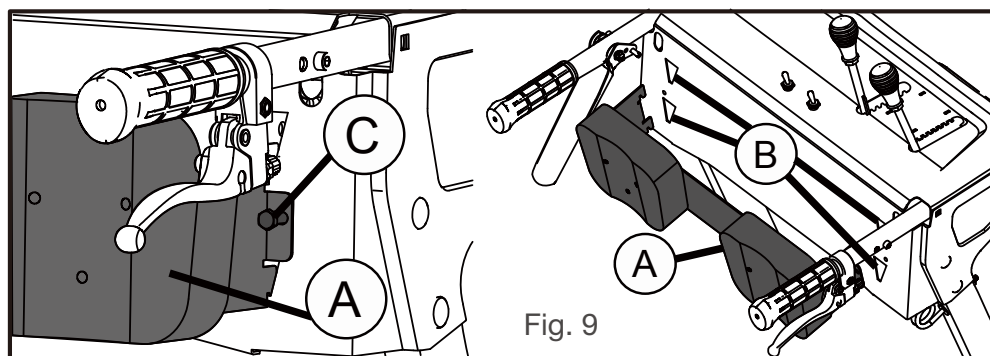
Attach the gear side of the chute rotating cable (Fig. 8 A) to the chute base with the nut & bolt (Fig. 8 B). Be sure the gear teeth line up, then tighten with the supplied wrench.



ASSEMBLY

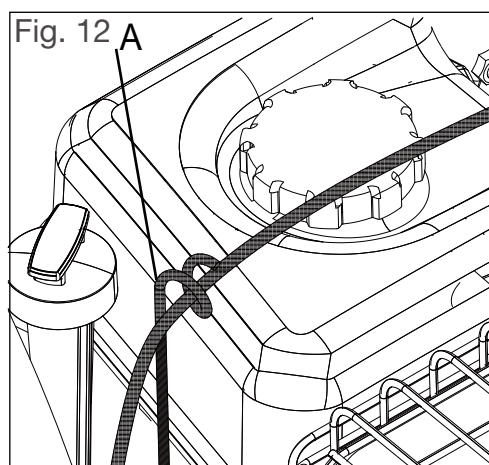
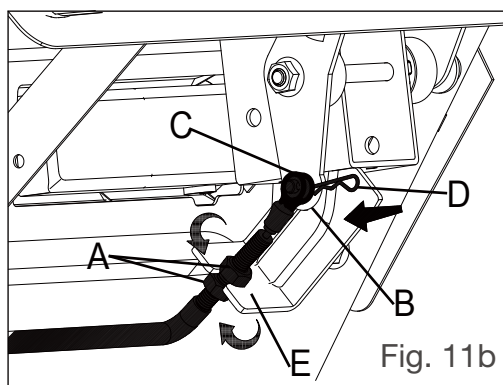
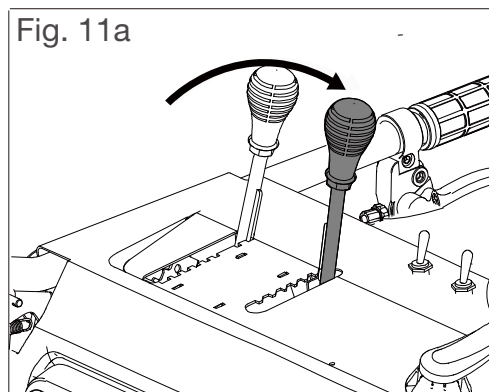
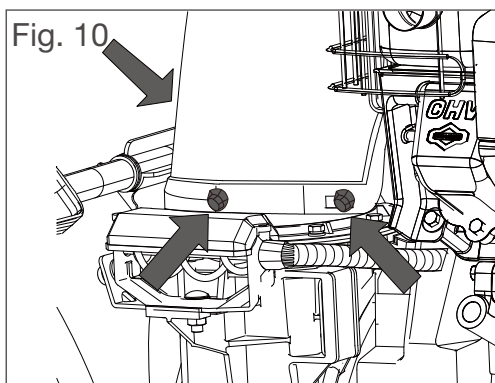
STEP FIVE: Assemble the foam pad brace.

Put the foam pad brace (Fig. 9 A) into the slots on the panel (Fig. 9 B). Secure the brace with (2) screws (Fig. 9 C).



STEP SIX: Assemble the chute

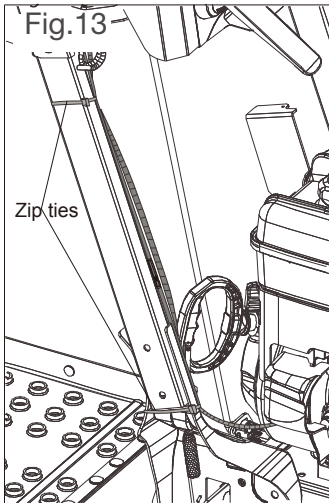
1. Place the chute onto the chute base. Align square holes, and secure with (3) carriage bolts and nuts. Nuts must be secured on the outside of the base (Fig. 10).
2. Move the chute deflector control backwards to connect the cable end.(Fig.11a). Loosen the clamp nuts (Fig. 11b A) and insert the cable to the bottom plate (Fig. 11b. E). Nuts must be on opposite sides of the plate.
3. Slide the cable eyelet onto the bottom post of the lever (Fig. 11b C). Secure this with a cotter pin (Fig. 11b D).
4. Tighten the clamp nuts (Fig. 11b A) to secure the cable.
5. Loop the cable into the cable guide located above the engine (Fig. 12).



ASSEMBLY

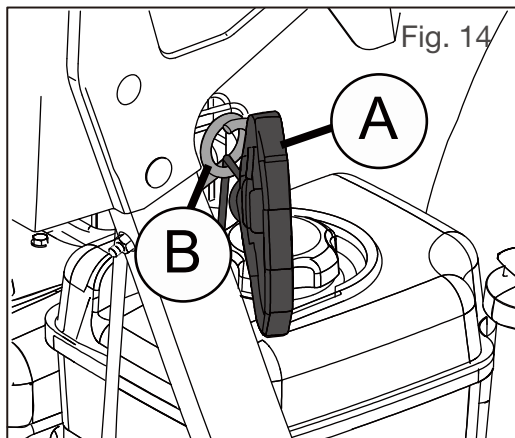
STEP SEVEN: Cable holding

Use provided zip ties to secure electrical cable (Fig. 13) to handle bars and prevent contact with engine or moving parts.



STEP EIGHT: Recoil Starter

Gently pull the pull-start handle (Fig. 14 A) and secure the rope into the guide loop on handle assembly (Fig. 14 B).



OPERATION



WARNING: Read, understand, and follow all instructions and warnings on the machine and in this manual before operating.



Fig. 15

Speed Select Lever

The speed select lever is located between the handles. Place the speed select lever into any of the positions to control the direction of travel and ground speed.

Forward

There are six forward (F) speeds. Position one (1) is the slowest and position six (6) is the fastest.

Reverse

There are two reverse (R) speeds. One (1) is the slower and two (2) is the faster.

Primer

Depressing the primer forces fuel directly into the engine's carburetor to aid in cold-weather starting.

Choke Control

The choke control is found on the top of the engine and is activated by rotating the knob counter-clockwise. Activating the choke control closes the choke plate on the carburetor and aids in starting the engine. See Figure 16.



Fig. 16

Throttle Control

The throttle control is located on the engine and regulates the speed of engine from low on left to high on right.

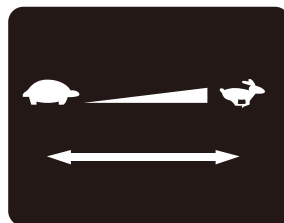


Fig. 17

OPERATION

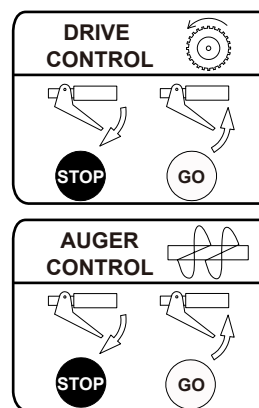
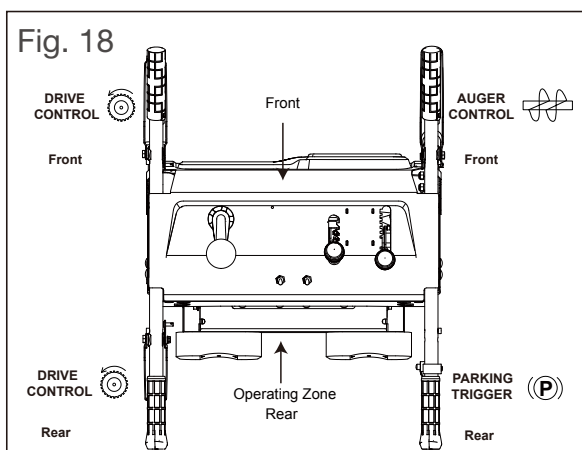


Fig. 19

Auger Control (Fig.18 & Fig.19)

The auger control is located on the right handle, front side. Squeeze the control trigger against the handle to engage the augers and start snow blowing action. Release to stop.

Drive Control (Fig.18 & Fig.19)

The drive controls are located on the left handle, both front and rear side. Squeeze one of the control triggers against the handle to engage the wheel drive. Release to stop. See Figure 18 & 19.

Parking Brake (Fig. 20)

The parking brake trigger is located on the right handle, rear side. Squeeze the trigger against the handle to brake the machine, release to cancel. Push the button when trigger is squeezed to park the machine. Squeeze the trigger again to release the brake. See Fig.20.

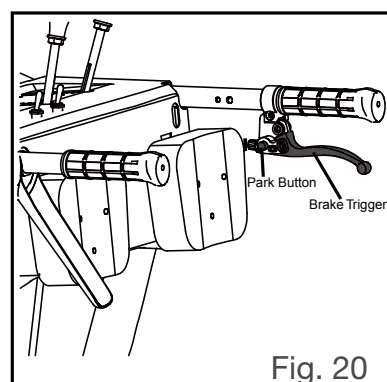


Fig. 20

Chute Directional Control (Fig. 21a)

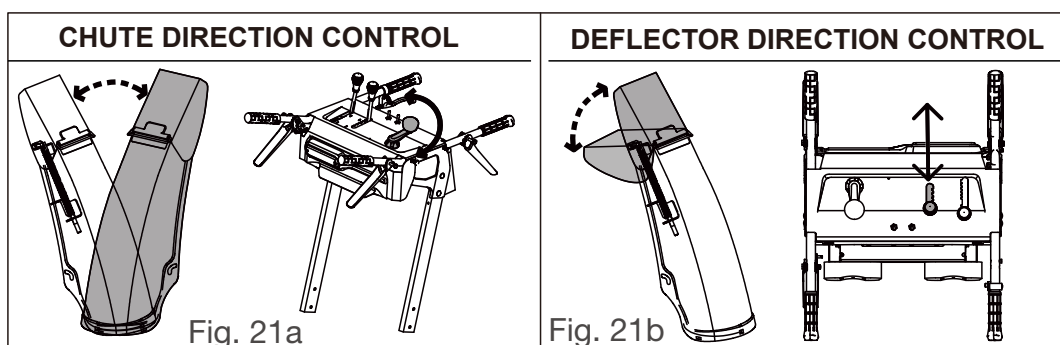
The chute directional control is located on the panel of the snow blower. See Fig. 21a. To change the direction in which snow is discharged, turn chute directional control as follows:

Rotate clockwise to discharge to the right.

Rotate counterclockwise to discharge to the left.

Chute deflector angle Control (Fig. 21b)

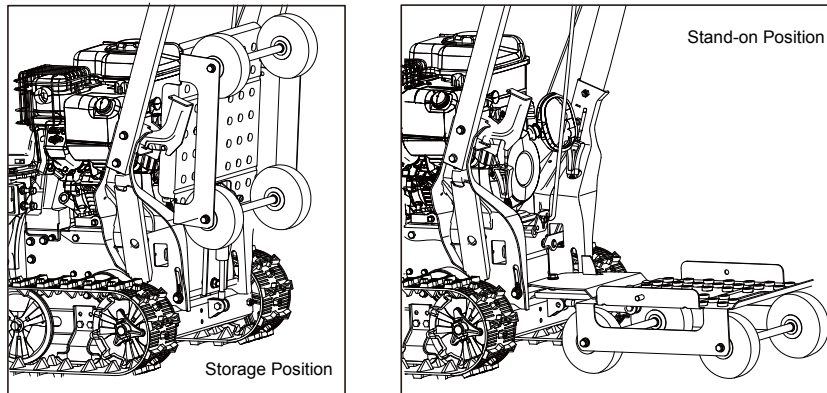
The throwing distance of the snow blower is adjusted by moving the chute deflector up or down. To increase or decrease the distance that the snow is thrown, pull the chute deflector handle backward or forward to raise or lower the chute deflector(Fig. 21b). Once arriving at the desired chute deflector position, engage the chute deflector handle back into the locking slot.



OPERATION

Stand-on Platform

Stand-on platform is designed for the operator to stand on while operating the machine. Locking the platform into the storage position will prevent the auger control function.



Clean-Out Tool



WARNING: Never use your hands to clear a clogged chute assembly. Shut off engine and remain behind handles until all moving parts have stopped before unclogging.

The chute clean-out tool is fastened to the top of the auger housing with a mounting clip. The tool is designed to clear a clogged chute assembly.

LED headlight switch

Located on control panel. Turn ON to illuminate the headlight LED and OFF to turn off.

Heating Handle Switch

Located on control panel. Turn ON to heat both front operation handles and OFF to stop.

Skid Shoes

Skid shoe adjustment changes the height of the auger housing. Position the skid shoes based on the surface conditions. Adjust shoes upward for flat surfaces and hard-packed snow. Adjust shoes downward when operating on uneven, Gravel, or crushed rock surfaces.

Recoil Starter Handle

This handle is used to manually start the engine.

Electric Starter Outlet

Requires the use of a two-prong outdoor extension cord and a 110V power source.

NOTE: This machine is not equipped with an extension cord.

Augers

When engaged, the augers rotate and draw snow into the auger housing.

Chute Assembly

Snow drawn into the auger housing is discharged out through the chute assembly.

Gas Cap

Unscrew and remove the gas cap to add gasoline to the fuel tank. Tighten securely when tank is not being filled.

Oil Fill Cap

Remove oil fill cap to check oil level or add oil. Ensure the oil cap is installed tightly after filling or checking oil level.

OPERATION



CAUTION! The following procedures and adjustments must be performed before the engine is started. Do not attempt to make any of these adjustments while the engine is running.

CAUTION! To prevent engine damage, the engine is shipped without oil or gas.

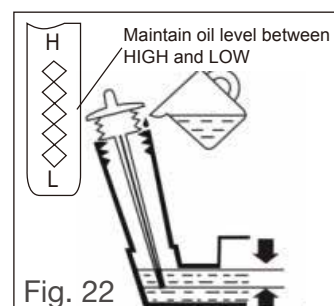
The engine must be filled with the correct grade of oil and gas before starting the engine.

NOTE! Running the engine with a low oil level will cause engine damage. It is recommended that high-detergent, premium-quality 4-stroke engine oil be used. Using non-detergent oil can shorten the engine's service life, and using 2-stroke oil will damage the engine.

Before Starting Engine

This machine is shipped without engine oil. Do not start the engine until the oil has been added and checked.

1. Place the machine on a level floor.
2. Loosen and remove the oil cap, and wipe off the dipstick. Reinsert and remove the dipstick to check the oil level.
3. The oil level shall be between the marks HIGH & LOW. (See Fig. 22).
4. If necessary, fill with oil up to the FULL mark. (See Fig. 22).
5. Use good quality oil marked A.P.I. service SF, SG or SH. Use SAE 5W30 oil.



Gasoline



WARNING: Use extreme care when handling gasoline. Gasoline is extremely flammable and the vapors are explosive. Never fuel the machine indoors or while the engine is hot or running. Extinguish cigarettes, cigars, pipes and other sources of ignition.

- Store gasoline in a clean, approved container and keep the cap in place on the container.
- Make sure that the container from which you pour the gasoline is clean and free from rust or other foreign particles.
NOTE: A plastic dust cap may be found inside the fuel fill opening. Remove and discard, if present.
- Always fill the fuel tank outdoors and use a funnel or spout to prevent spilling.
- Fill fuel tank with clean, fresh, unleaded gasoline.
- Never fill the fuel tank completely. Fill the tank to within 1/2" from the top to provide space for expansion of fuel.
- Make sure to wipe off any spilled fuel before starting the engine.

Starting The Engine

1. Make certain both the auger control and drive control are in the disengaged (released) position.
2. Move throttle control up to FAST (rabbit) position. Insert ignition key into slot and turn it clockwise to the START position.
3. Make sure fuel valve lever is in the ON position.

NOTE: The engine cannot start without the key fully inserted into the ignition switch.

Electric Starter

Determine that your home's wiring is a two-wire grounded system. Ask a licensed electrician if you are not certain.



WARNING: The optional electric starter is equipped with a grounded two-wire power plug, and is designed to operate on 110v AC household current. It must be used with a properly grounded two-prong receptacle at all times to avoid the possibility of electric shock. If your home's wiring system is not a grounded system, do not use this electric starter under any conditions.

If your home electrical system is grounded, but a two-hole extension cord is not available, do not use your snow thrower's electric starter. Follow all instructions carefully prior to operating the electric starter. If you have all of the above, proceed as follows:

OPERATION

1. Plug the extension cord into the 120V receptacle located on the engine's surface. Plug the other end of extension cord into a 120-volt, grounded, AC outlet in a well-ventilated area.
2. Rotate choke control to FULL choke position (for a cold engine start).
NOTE: If the engine is already warm, place choke control in the OFF position instead of FULL.
3. Push the primer two or three times for cold engine start, making sure to cover vent hole in the center of the primer when pushing.
NOTE: DO NOT use primer to restart a warm engine after a short shutdown.
4. Push start button to start engine.
5. Once the engine starts, release starter button.
6. As the engine warms, slowly rotate the choke control to the OFF position. If the engine falters, quickly rotate the choke control back to FULL and then slowly into the OFF position again.
7. When disconnecting the extension cord, always unplug the end at the wall outlet before unplugging the opposite end from the snow blower.
NOTE: Allow the engine to warm up for a few minutes after starting. The engine will not develop full power until reaching operating temperatures.

Recoil Starter

1. Rotate choke control to FULL choke position (cold engine start).
NOTE: If the engine is already warm, place choke control in the OFF position instead of FULL.
2. Push the primer two or three times for cold engine start, making sure to cover vent hole in the center of the primer when pushing.
NOTE: DO NOT use primer to restart a warm engine.
NOTE: Additional priming may be necessary if the temperature is below 14°F (-10°C).
3. Grasp the recoil starter handle and slowly pull the rope out. At the point where it becomes slightly harder to pull the rope, slowly allow the rope to recoil.
4. Pull the starter handle with a firm, rapid stroke. Do not release the handle and allow it to snap back. Keep a firm hold on the starter handle and allow it to slowly recoil.
5. As the engine warms, slowly rotate the choke control to the OFF position. If the engine falters, quickly rotate the choke control back to the FULL position and then slowly into the OFF position again.
NOTE: Allow the engine to warm up for a few minutes after starting. The engine will not develop full power until reaching operating temperatures.

Stopping The Engine

Run engine for a few minutes before stopping to help dry off any moisture on the engine. To help prevent possible starter freeze-up, proceed as follows:

Electric Starter

1. Connect extension cord to the 120V receptacle on the engine, then to 120 volt AC outlet.
2. With the engine running, push the starter button and allow the starter to spin for several seconds. The noise made in the starter is normal. The engine's starter is not being harmed.
3. When disconnecting the extension cord, always unplug the end at the wall outlet before unplugging the opposite end from the snow blower.
4. Move throttle control and fuel valve to the off position.
5. Remove the ignition key and store in a safe place.
6. Wipe all snow, ice and moisture from the machine, the area around the engine as well as the area in and around the drive control and auger control. Also, engage and release both controls several times.

Recoil Starter

1. With engine running, pull the starter rope with a rapid, continuous full arm stroke three or four times. Pulling the starter rope will produce a loud clattering sound, which is not harmful to engine.

OPERATION

2. Move the throttle control and fuel valve to the off position.
3. Remove the ignition key and store in a safe place.
4. Wipe all snow, ice and moisture from the machine, the area around the engine as well as the area in and around the drive control and auger control. Also, engage and release both controls several times.

Chute Clean-Out Tool

The chute clean-out tool is conveniently fastened to the rear of the auger housing with a mounting clip. Should snow and ice become clogged in the chute assembly during operation, proceed as follows to safely clean the chute assembly and chute opening.

1. Release both the Auger Control and the Drive Control.
2. Stop the engine by removing the ignition key.
3. Remove the clean-out tool from the clip which secures it to the rear of the auger housing.



WARNING:

The muffler, engine and surrounding areas become hot and can cause a burn. DO not touch.

4. Use the shovel-shaped end of the clean-out tool to dislodge and scoop any snow and ice which has formed in and near the chute assembly.
5. Refasten the clean-out tool to the mounting clip on the rear of the auger housing, reinsert the ignition key and start the snow engine.
6. While standing in the operator's position (behind the snow thrower), engage the auger control for a few seconds to clear any remaining snow and ice from the chute assembly.

To Engage Drive

1. With the throttle control in the Fast (rabbit) position, move speed control into one of the six forward (F) positions or two reverse (R) positions. Select a speed appropriate for the snow conditions and a pace you're comfortable with.

NOTE: When selecting a Drive Speed, use the slower speed until you are comfortable and familiar with the operation of the snow thrower.

2. Squeeze the auger control against the handle and the auger will turn. Release it and the augers will stop.
3. Squeeze the drive control (front) against the handle and snow thrower will move. Release it and drive motion will stop.
4. The drive control (rear) is intended for moving the snow blower when the stand-up platform is locked into the storage position.

To Engage Auger



WARNING The auger rotation can result in foreign objects being thrown into your or other's eyes, which can damage eyes severely.

1. Ensure that other people and pets remain at least 100 ft. (30 m) away from the snow blower when it is in use.
2. The auger will continue to rotate for a few seconds after the auger is released. Allow the auger to stop rotating before starting it again.
3. Put the stand-on platform on the ground and step onto it with both feet.
4. Squeeze the auger control against the handle and the auger will turn.
5. Release the auger control and the augers will stop.

Auger Control and Drive Control Linkage (SES™ Simultaneous Engagement System) (Fig. 23)

1. Put the stand-on platform on the ground and step onto it with both feet.
2. Engage the drive control (front) and the auger control at the same time, the auger control will be temporarily locked.

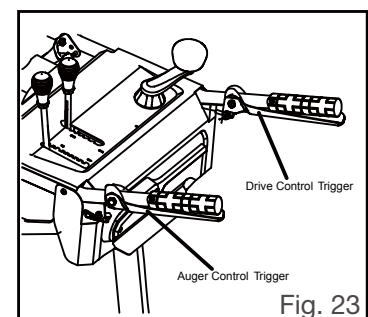


Fig. 23

OPERATION

3. Release the auger control and it will remain engaged to free your right hand.
4. Releasing the drive control (front) will release the auger control at the same time. This will stop the auger rotation and self-propel function.

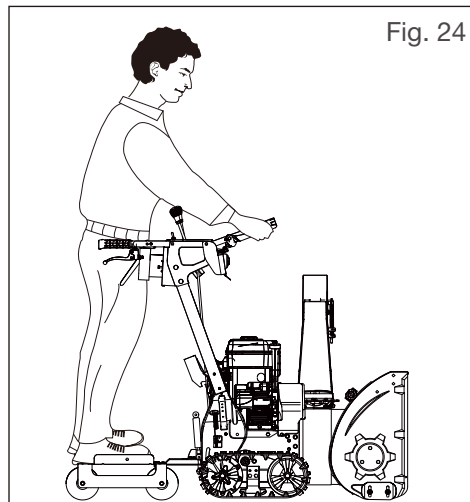
Operation on Slopes



WARNING Slopes are a major factor related to loss of control and tip-over accidents, which can result in severe injury or death. Clearing up and down slopes, not across. Operation on all slopes requires extra caution.

1. If you cannot back up the slope or if you feel uneasy on it, do not clear it.
2. Never use on steep slopes greater 10°.
3. Blow snow up and down slopes, not across.
4. Never attempt to stand on the board on a steep slope or blow snow on a slope that is greater than 10°, tracks may lose traction and you may lose control. To determine the angle of your slope, use the Slope Guide at the back of this manual.
5. Always keep the speed control in the forward positions (F1- F3) when blowing snow up and down slopes. Do not use reverse speed (R1, R2) which may cause you to lose control of the machine.
6. Always keep the drive control engaged when going down slopes, Do not coast downhill which may cause you to lose control of the machine.
7. Use a slow forward speed (below F3) on a slope so you will not have to stop suddenly on up slope or accidentally accelerate on down slope.
8. Avoid starting, stopping or turning on a slope. If the tracks lose traction, disengage the drive control and auger control, step off the stand-on platform and lock it in the storage position. Return slowly straight down the slope.
9. Keep all movement on slopes slow and gradual. Do not make sudden change in speed or direction which could cause the machine to roll over.

Discharging the Snow (Fig. 24 & Fig. 25)

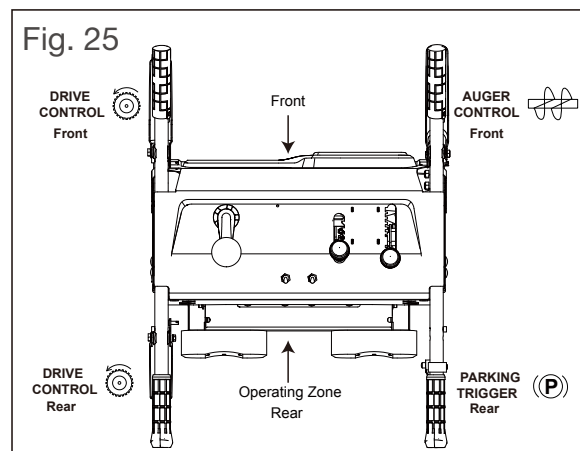


WARNING The auger rotation can result in foreign objects being thrown into your or other's eyes, which can damage eyes severely.

1. Ensure that other people and pets remain at least 100' (30 m) away from the snow blower when it is in use.
2. The auger will continue to rotate for a few seconds after the auger is released. Allow the auger to stop rotating before starting it again.

OPERATION

- Snow can hide obstacles. Watch for holes, ruts bumps rocks and other hidden objects. Uneven terrain could overturn the machine.
- Do not use the snow blower when visibility is poor. Under conditions of poor visibility, there is a greater risk of striking an obstacle or causing injury.
- Adjust the snow discharge chute to avoid hitting bystanders or vehicles.
- Stay clear of the snow discharge chute while the engine is running and be aware that loose clothing can get drawn into the moving parts.
- Make sure the working area is flat or the gradient is less than 10°/11.1% using the **Slope Guide** at the back of this manual.
- Start the engine. (see **STARTING THE ENGINE**)
- Put the stand-on platform on the ground and step onto it with both feet.
NOTE: Locking the stand-on platform in the storage position will prevent the auger control function.
- Adjust the chute to desired direction and select the right speed. Make sure there are no other people and pets near the machine.
- First, engage the auger control to blow the snow in the desired direction. Second, engage the drive control (front) to begin clearing snow. You may lean into the padding brace to reduce fatigue.
- You can change the driving direction by moving both front handles right or left slightly. The stand-on platform will pivot as you move the handles.
- Operation on all slopes requires extra caution, please refer to “Operation on Slopes”
- You can lock the stand-on platform into the storage position and use drive control (rear) for easy transportation.
- Park trigger can be squeezed to brake the machine and park the machine if necessary.
NOTE: Never park the machine on slope.



Operator Responsibility

- Know how to stop the snow blower quickly in case of emergency. Understand the use of all snow blower controls.
- Never permit anyone to operate the snow blower without proper instruction. Do not let children operate the snow blower. If people or pets suddenly appear in front of the snow blower while it is in operation, immediately release the auger and drive levers to stop the snow blower and avoid possible injury.
- While operating the snow blower, hold the handle firmly. Wear suitable winter boots that resist slipping.
- Wear safety glasses or eye shields during operation to protect eyes from thrown objects.
- Exercise caution on slippery surfaces to avoid falling, especially when operating in reverse.

OPERATION

Preparation before each Operation

1. Make sure the snow blower is on a level surface.
2. Look around and underneath the snow blower for signs of oil or gasoline leaks.
3. Check the auger housing and the discharge chute for accumulation of packed snow or ice. Clean the auger housing and discharge chute before starting the snow blower.
4. Look for signs of damage.
5. Check each control for proper operation.
6. Check the auger and blower for loose or broken bolts. If broken, replace them with new ones.
7. Check the skid shoes and shave plate for wear. Replace them if necessary.
8. Check that all nuts, bolts, and screws are tightened.
9. Check the oil level.
10. Check the fuel level. Starting with a full tank will help to eliminate or reduce operating interruptions for refueling.
11. Check the condition of the snow. Adjust your snow blower ground speed (not the engine speed) and snow blowing swath accordingly.
12. Check the skid shoes for proper adjustment. Adjust the skid shoes to obtain the proper auger ground clearance for the surface on which you are operating.
13. For your safety and the safety of others, always inspect the area before operating the snow blower.

IMPORTANT: NEVER re-position the speed control lever (change speeds or direction of travel) without first releasing the drive control and bringing the snow thrower to a complete stop. Doing so will result in premature wear to the snow blower's drive system.

MAINTENANCE AND STORAGE

Lubrication



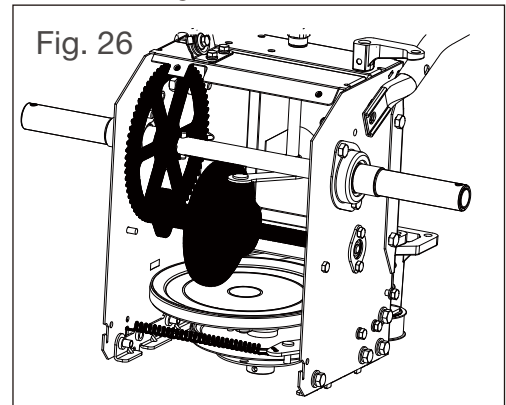
WARNING: Before lubricating, repairing, or inspecting, disengage all controls and stop engine. Wait until all moving parts have come to a complete stop. Ensure the engine is cool and the fuel cap is tight.

Gear Shaft (Fig.26)

The gear (hex) shaft should be lubricated at least once a season or after every 25 hours of operation.

1. Remove the lower frame cover by removing the two screws which secure it.
2. Apply a light coating of an all-weather multi-purpose grease to the hex shaft.

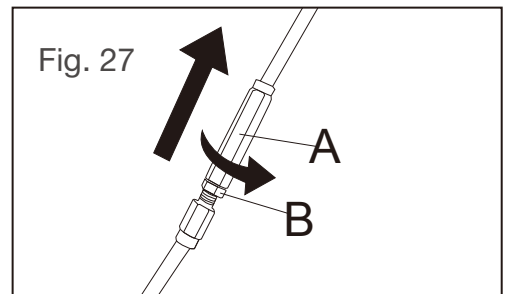
IMPORTANT: Avoid oil spillage on rubber friction.



Brake/Park adjustment (Fig.27)

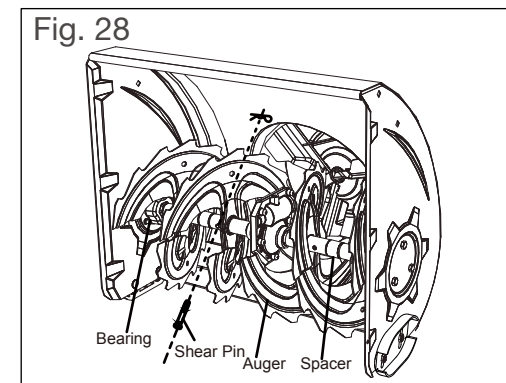
Move the machine to a flat surface and ensure the parking brake is disengaged.

Loosen nut B and rotate nut A on brake/park cable to tension the cable. Engage the trigger and pull the machine back to check the brake/park function. Tighten nut B after positive checking results.



Auger Shaft (Fig.28)

At least once a season, remove the shear pins on auger shaft. Spray lubricant inside shaft, around the spacers. Also lubricate the flange bearings found at either end of the shaft.



Gear Case

The auger gear case has been filled with grease and sealed at the factory. If disassembled from any reason, lubricate with two ounces of new grease.

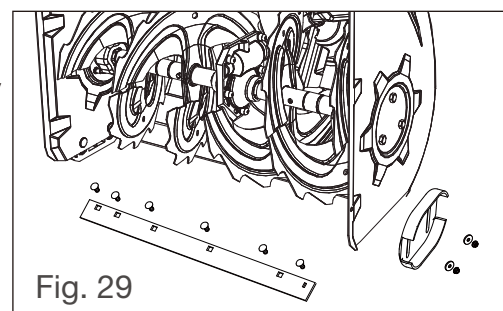
NOTE: Do not over fill the gear case. Damage to the seals could result. Be sure the vent plug is free of grease in order to relieve pressure

Shave Plate and Skid Shoes

The shave plate and skid shoes on the bottom of the snow thrower are subject to wear. They should be checked periodically and replaced when necessary.

To remove skid shoes (Fig.29)

1. Remove the four carriage bolts and hex flange nuts which secure them to the auger housing.
2. Reassemble new skid shoes with the four carriage bolts (two on each side) and hex flange nuts.



MAINTENANCE AND STORAGE

To remove shave plate:

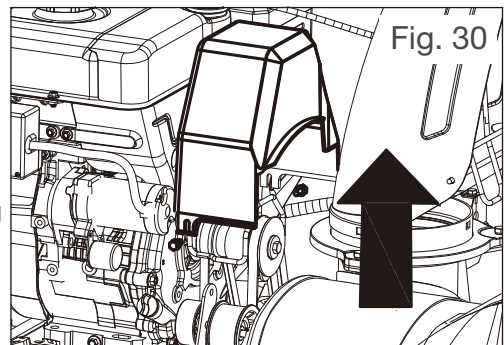
1. Remove the carriage bolts and hex nuts which attach it to the auger housing.
2. Reassemble new shave plate, making sure heads of carriage bolts are to the inside of housing. Tighten securely.

Auger Belt Replacement

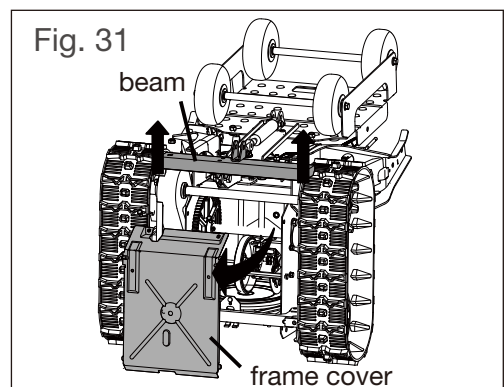
To remove and replace your snow thrower's auger belt, proceed as follows:

1. Remove the belt cover on the front of the engine by removing the two self-tapping screws. See Fig. 30.

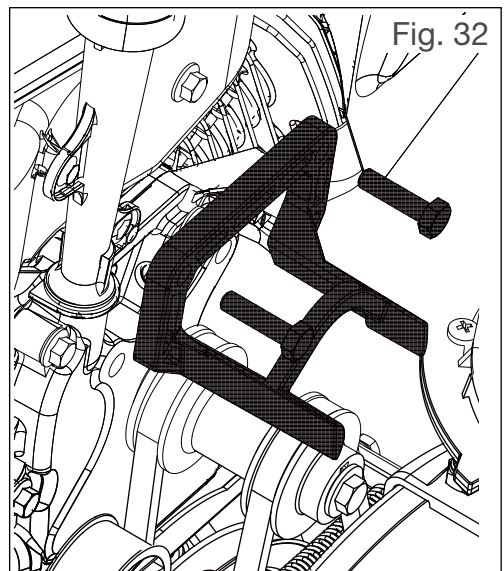
NOTE: Drain the gasoline from the snow blower, or remove the fuel cap, place a piece of plastic over the fuel fill neck, then tighten the fuel cap.



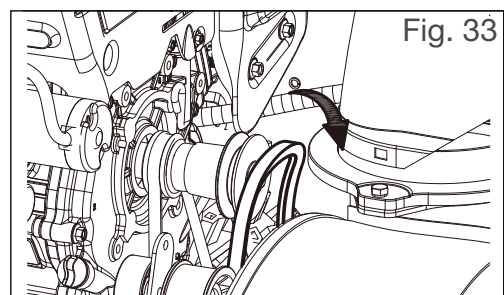
2. Carefully pivot the snow blower up and forward so that it rests on the auger housing. Remove the beam by removing two nuts which secure it, then remove the frame cover from the underside of the snow blower by removing four screws which secure it. See Fig. 31.



3. Loosen and remove the bolt and bracket which acts as a belt guard. See Fig. 32.

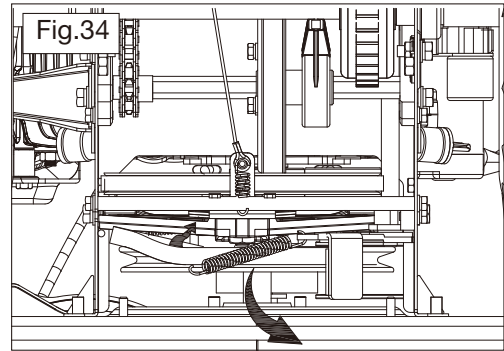


- a. Roll the auger belt off the engine pulley. See Fig.33.



MAINTENANCE AND STORAGE

b. Unhook the support bracket spring from the frame. See Fig. 34



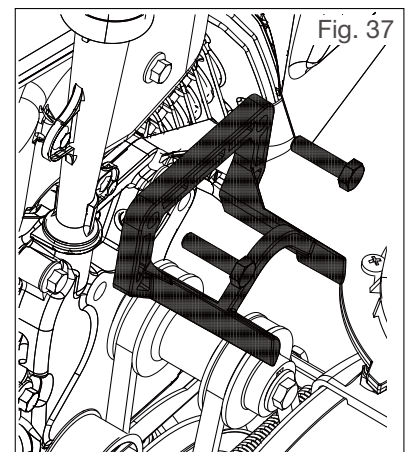
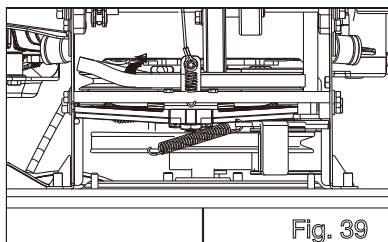
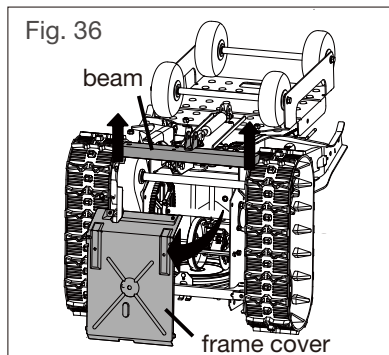
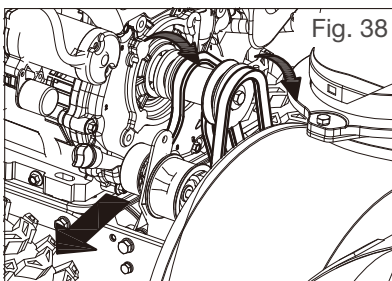
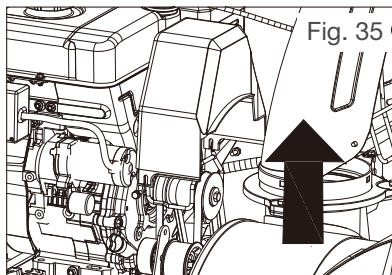
4. Remove the belt from around the auger pulley, and slip the belt between the support bracket and the auger pulley. Reassemble auger belt by following instructions in reverse order

NOTE: DO NOT forget to re-install all bolts and reconnect the spring to the frame after installing a replacement auger belt.

Drive Belt Replacement

To remove and replace your snow thrower's auger belt, proceed as follows:

1. Remove the belt cover in the front of the engine by removing the two self-tapping screws. See Fig. 35.
NOTE: Drain the gasoline from the snow blower or remove the fuel cap, place a piece of plastic over the fuel fill neck, and tighten the gas cap.
2. Carefully pivot the snow blower up and forward so that it rests on the auger housing. Remove the beam by removing two nuts which secure it, then remove the frame cover from the underside of the snow blower by removing two screws which secure it. See Fig. 36.
3. Loosen and remove the bolt and bracket which act as a belt guard. See Fig. 37.
 - Grasp the idler pulley and pivot it toward the right. See Fig. 38.
 - Roll the auger belt off the engine pulley. See Fig. 38.
 - Lift the drive belt off engine pulley. See Fig. 38.
4. Slip the drive belt off the pulley and between friction wheel and friction wheel disc. See Fig. 39.
5. To replace the belt, perform the above steps in reverse order.

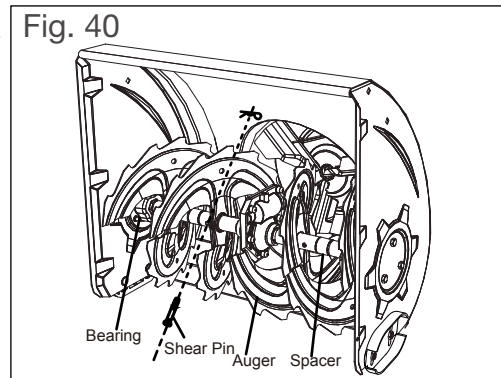


MAINTENANCE AND STORAGE

Augers

- The augers are secured to the spiral shaft with two shear pins and cotter pins. If the auger should strike a foreign object or ice jam, the snow thrower is designed so that the pins may shear. See Figure 40.
- If the augers will not turn, check to see if the pins have sheared. One set of replacement shear pins has been provided with the snow thrower. When replacing pins, spray an oil lubricant into shaft before inserting new pins.

Fig. 40



Friction Wheel Removal

If the snow thrower fails to drive with the drive control engaged, and performing the drive control cable adjustment on Page 28 fails to correct the problem, the friction wheel may need to be replaced. Follow the instructions below.

1. Examine the friction wheel for signs of wear or cracking and replace if necessary.
 - Place the shift lever in third Forward (F3) position.
 - Drain the gasoline from the snow blower or remove the fuel cap, place a piece of plastic over the fuel fill neck, and tighten the gas cap.
 - Carefully pivot the snow blower up and forward so that it rests on the auger housing.
2. Remove the beam by removing two nuts which secure it, then remove the frame cover from the underside of the snow blower by removing two screws which secure it. See Fig. 41.
3. Remove the four screws on two sides of the frame which secure the shaft assembly.
4. Unbolt and remove the splined shaft assembly off. See Fig. 42.
5. Remove the three screws which secure the friction wheel's side plates together, and replace the rubber ring. See Fig. 43.
6. Slide the friction wheel assembly back onto the spline shaft and follow the steps above in reverse order to reassemble components.

Fig. 41

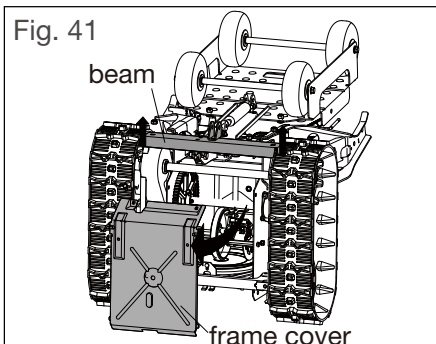


Fig. 42

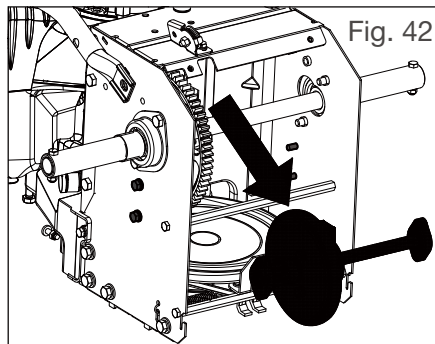
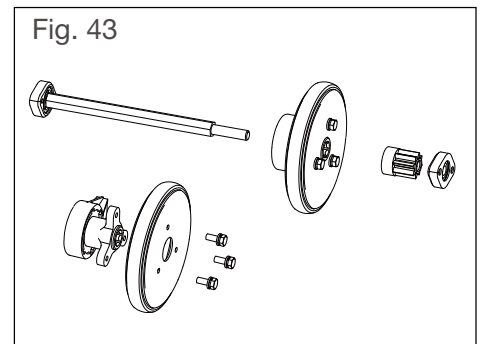


Fig. 43



MAINTENANCE AND STORAGE

Checking Engine Oil

1. Be sure engine is upright and level
2. Unscrew oil fill cap from oil filler tube and wipe dipstick clean. (See Fig. 44.)
3. Screw oil cap back into oil filler tube. Tighten securely.
4. Unscrew and remove oil fill cap from oil filler tube. Note oil level. If oil reading on dipstick is below "LOW" mark, slowly add oil to reach "HIGH" level, see Figure 45.
5. Screw oil fill cap back into oil filler tube, tighten securely.
6. Wipe away any spilled oil.

Changing Engine Oil

To avoid engine damage, it is important to:

- Check oil level before each use and every five operating hours.
 - Change oil after first two operating hours and every 25 operating hours thereafter.
 - Engine should still be warm but not hot from recent use.
1. Locate the oil drain plug, See Fig. 46.
 2. Be sure the gas cap is on and is tightened securely.
 3. Clean area around oil drain plug.
 4. Place approved recyclable oil container under oil drain plug.
 5. Remove oil drain plug to drain oil. Loosen oil fill cap to improve flow.
Note: Used oil must be disposed of at a proper collection center.
 6. Install oil drain plug and tighten securely.
 7. Refill the engine with recommended oil, see Fig. 47
Recommended Oil Usage Chart, the max engine's oil capacity is 20 ounces.
 8. Wipe away any spilled oil.

Checking Spark Plug

Check spark plug yearly or every 100 operating hours

1. Clean area around spark plug.
2. Remove and inspect spark plug.
3. Replace spark plug if porcelain is cracked or if electrodes are pitted, burned or fouled with deposits.
4. Check electrode gap with a feeler gauge and set gap to 0.030" (0.76mm) if necessary. see Fig. 48.
5. Re-install spark plug and tighten securely

NOTE: A resistor spark plug must be used for replacement. Contact the distributor or local service center for a replacement spark plug.

Carburetor

If you suspect your carburetor needs adjusted, contact the distributor or service center, engine performance should not be affected at altitudes up to 7000 feet (2134 meters). For operation at higher elevations, contact the distributor or service center.

Fig. 44

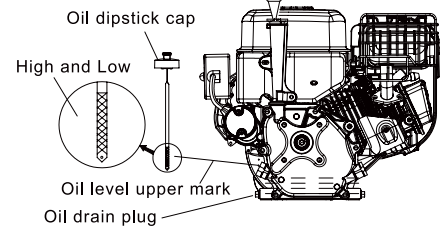


Fig. 45

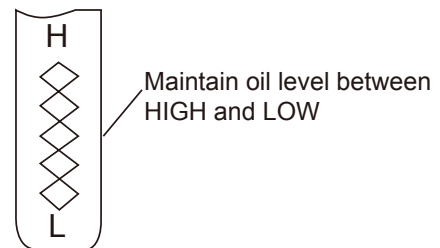


Fig. 46

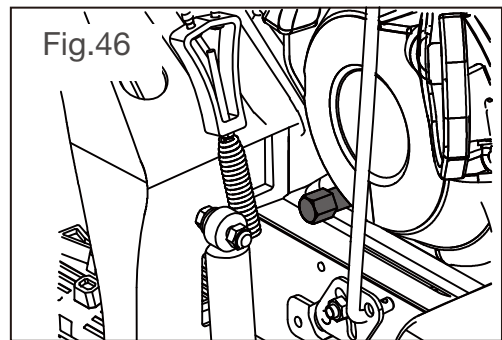


Fig. 47

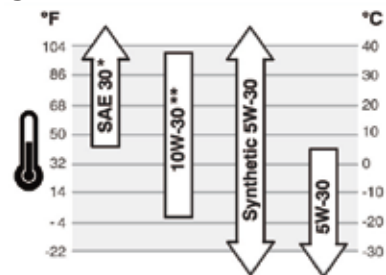
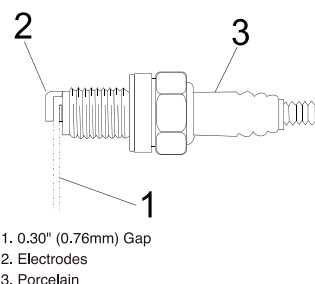


Fig. 48



MAINTENANCE AND STORAGE

Engine Speed

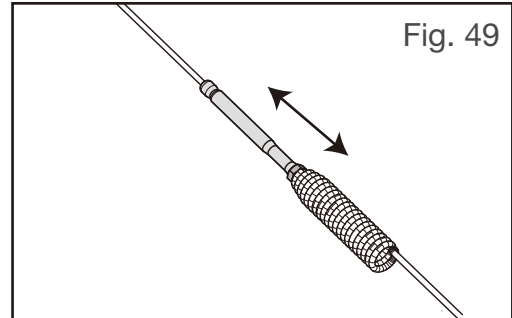


WARNING: Avoid serious injury or death, DO NOT modify engine in any way, Tampering with the governor setting can cause the engine and equipment to operate at unsafe speeds. NEVER tamper with factory setting of engine governor. Running the engine faster than the speed set at the factory is dangerous.

Control Wire Adjustment

After long time using, or when the belts are adjusted or replaced, the control wires must also adjusted See Fig. 49.

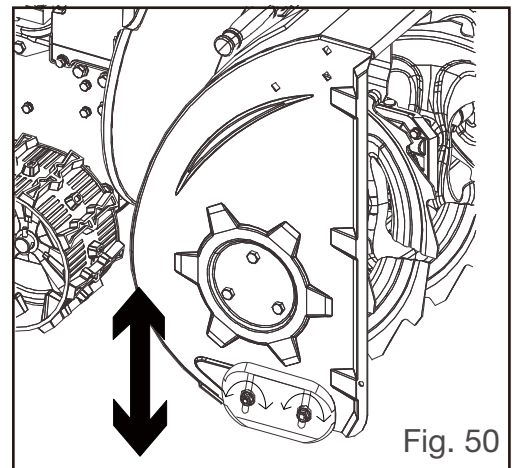
1. Push the wire through the spring so that the threaded part is exposed.
2. Hold the threaded part and adjust the nut or until the correct setting is obtained.
3. Pull the wire through the spring again, Hook the wire into the upper part of the lever that it was connected to.



Skid Shoe Adjustment

The space between skid shoes and the ground can be adjusted. See Fig. 50.

- For close snow removal on a smooth surface, raise skid shoes higher on the auger housing.
- Use a middle or lower position when the area to be cleared is uneven, such as a gravel driveway.



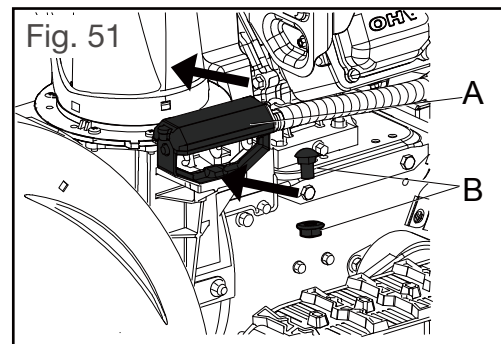
To adjust the skid shoes:

1. Loosen the four hex nuts (Two on each side) and carriage bolts. Move skid shoes to desired position.
2. Make certain the entire bottom surface of skid shoe is contacting the ground. Adjust both shoes evenly to avoid uneven wear on the skid shoes.
3. Re-tighten nuts and bolts securely.

Chute Bracket Adjustment

If the spiral at the bottom of the chute directional control is not fully engaged with the chute assembly, the chute bracket can be adjusted. To do so:

1. Loosen the nut which secure the chute brackets and re-position it slightly.
2. Re-tightening the nuts. See Fig. 51.



MAINTENANCE AND STORAGE

OFF-SEASON STORAGE

Preparing Engine



WARNING: Never store snow thrower with fuel in tank indoors or in poorly ventilated areas, where fuel fumes may reach an open flame, spark or pilot light as on a furnace, water heater, clothes dryer or gas appliance.



NOTE: It is important to prevent gum deposits from forming in essential fuel system parts of the engine such as the carburetor, fuel filter, fuel hose or tank during storage.



CAUTION: Alcohol blended fuels(called gasohol or using ethanol or methanol)can attract moisture which leads to separation and formation acids during storage. Acidic gas can damage the fuel system of an engine while in storage.

To avoid engine problems, the fuel system should be emptied before storage for 30 days or longer, Follow these instructions to prepare your snow thrower for storage:



WARNING: Drain fuel into an approved container outdoors, away from any open flame. Be certain engine is cool. Do not smoke. Fuel left in engine during warm weather deteriorates and will cause serious starting problems.

1. Remove ALL gasoline from the carburetor and the fuel tank to prevent gum deposits from forming on these parts and harming the engine.
2. Run the engine until the fuel tank is empty and it stops due to lack of fuel.
3. Drain carburetor by pressing upward on bowl drain, located below the carburetor cover.



WARNING: Do not drain carburetor if using fuel stabilizer. Never use engine or carburetor cleaning products in the fuel tank or permanent damage may occur.



NOTE: Fuel stabilizer (such as STA-BIL) is an acceptable alternative in minimizing the formation of fuel gum deposits during storage. Add stabilizer to gasoline in fuel tank or storage container, Always follow mix ratio found on stabilizer container. Run engine at least 10 minutes after adding stabilizer to allow it to reach the carburetor. Do not drain carburetor if using fuel stabilizer.

4. Remove the spark plug and pour one ounce of engine oil through the spark hole into the cylinder. Cover spark plug hole with a rag and crank the engine several times to distribute the oil. Replace spark plug.

Preparing Snow Thrower

1. When storing the snow thrower in an unventilated or metal storage shed, care should be taken to rustproof the equipment, using a light oil or silicone, coat the equipment, especially any chains, springs, bearings and cables.
2. Remove all dirt, snow and ice from exterior of engine and equipment.
3. Follow lubrication recommendations in the Maintenance section of this manual.
4. Store equipment in a clean dry area.

TROUBLESHOOTING

See appropriate section in manual unless directed to a service center/department.

PROBLEM	CAUSE	CORRECTION
Does not start	<ol style="list-style-type: none"> 1. Safety ignition key is not inserted. 2. Out of fuel. 3. Fuel ON/OFF switch is OFF. 4. Choke in OFF position. 5. Primer not depressed. 6. Engine is flooded. 7. Spark plug wire is disconnected. 8. Bad spark plug. 9. Stale fuel. 10. Water in fuel. 11. Vapor locked fuel line. 	<ol style="list-style-type: none"> 1. Insert safety ignition key and turn to ON position. 2. Fill fuel tank with fresh, clean gasoline. 3. Move ON/OFF switch to ON position. 4. Move to FULL position. 5. Prime as instructed in the Operation section of this manual. 6. Wait a few minutes before restarting. DO NOT prime. 7. Connect wire to spark plug. 8. Replace spark plug. 9. Empty fuel tank & carburetor, refill with fresh, clean gasoline. 10. Empty fuel tank & carburetor, refill with fresh, clean gasoline. 11. Ensure all the fuel line is below the outlet of fuel tank. Fuel line should run continuously down from fuel tank to carburetor.
Loss of power	<ol style="list-style-type: none"> 1. Spark plug wire loose. 2. Throwing too much snow. 3. Fuel tank cap is covered with ice or snow. 4. Dirty or clogged muffler. 5. Improper cable length. 6. Blocked muffler. 7. Blocked carburetor air intake. 	<ol style="list-style-type: none"> 1. Reconnect spark plug wire. 2. Reduce speed and width of swath. 3. Remove ice and snow on and around fuel tank cap. 4. Clean or replace muffler. 5. Adjust cable. 6. Clear blockage (ensure engine is cool.) 7. Clear blockage (ensure engine is cool.)
Engine idles or runs roughly	<ol style="list-style-type: none"> 1. Choke is in FULL position. 2. Blockage in fuel line. 3. Stale fuel. 4. Water in fuel. 5. Carburetor is in need of replacing. 6. Belt stretch. 	<ol style="list-style-type: none"> 1. Move choke to OFF position. 2. Clean fuel line. 3. Empty fuel tank & carburetor, refill with fresh, clean gasoline. 4. Empty fuel tank & carburetor, refill with fresh, clean gasoline. 5. Contact an authorized service center/department. 6. Replace auger V-belt.
Excessive vibration/Handle movement	<ol style="list-style-type: none"> 1. Loose parts or damaged augers or impeller. 2. Handles not positioned correctly. 3. Adjustment lever nuts are loose. 	<ol style="list-style-type: none"> 1. Tighten all fasteners. Replace damaged parts. If vibration remains, contact an authorized service center/ department. 2. Ensure handles are locked into positioning. 3. Tighten nuts until handle feels secure.

TROUBLESHOOTING

Recoil starter is hard to pull	<ol style="list-style-type: none"> 1. Auger or drive engaged. 2. Rope is interfering with components. 	<ol style="list-style-type: none"> 1. Disengage auger and drive handle. 2. Recoil rope should not be touching any wires or hoses.
Loss of snow discharge or slowing of snow discharge	<ol style="list-style-type: none"> 1. Worn belt. 2. Auger v-belt is off of pulley. 3. Auger v-belt is worn. 4. Clogged discharge chute. 5. Augers/impeller jammed. 	<ol style="list-style-type: none"> 1. Adjust drive cable per maintenance procedures. 2. Check/reinstall auger v-belt. 3. Check/replace auger v-belt. 4. Clean snow chute. 5. Remove debris or foreign object from augers/impeller.
Lights not On	<ol style="list-style-type: none"> 1. Motor not running. 2. Loose wire connection. 3. LED burnt out. 	<ol style="list-style-type: none"> 1. Start engine. 2. Check wire connections at engine and both lights. 3. Replace LED light module. (Individual LEDs are not replaceable.)
Rotator hard to move	<ol style="list-style-type: none"> 1. Debris in chute rotator mechanism. 2. Cables are kinked or damaged. 	<ol style="list-style-type: none"> 1. Clean internal parts of chute rotator mechanism. 2. Ensure cables are not kinked. Replace damaged cables.

TRANSPORTATION, STORAGE AND DISPOSAL

Transportation and storage

1. For storage and transportation of the product and fuel, make sure that there are no leaks or fumes. Sparks or open flames, for example from electrical devices or boilers, can start a fire.
2. Always use approved containers for storage and transportation of fuel.
3. Empty the fuel tank and carburetor before you put the product in storage for a long period of time. Discard the fuel at an applicable disposal location.
4. Securely fasten the product during transportation to prevent damage and accidents.
5. Keep the product in a locked area to prevent access for children or persons that are not approved.
6. Keep the product in a dry and frost free area.

Disposal

1. Obey the local recycling requirements and applicable regulations.
2. Discard all chemicals, such as engine oil or fuel, at a service center or at an applicable disposal location.
3. When the product is no longer in use, discard it at a recycling location.

WARRANTY

WARRANTY

Product Warranty

Please keep your original purchase receipt in a safe place as proof of purchase.

The warranty period begins on the day that the product was purchased from an authorized retailer of Warranty coverage for this product must be verified by the original purchase receipt.

Yard Force products. Warranty coverage only applies to the original purchaser and is not transferrable.

Warranty coverage is only provided on products purchased from authorized Yard Force retailers.

Warranty only applies to products purchased and OPERATED in the USA. Any product purchased or operated outside of the USA is not covered by any warranty.

(2) Two-Year Limited Warranty

The YF26-DS21-GSBS has a 2-Year Limited Warranty from the date of purchase against manufacturer defects for residential use only. Commercial use voids the warranty. This warranty does not cover accidental damage, unreasonable use, normal wear and tear, neglect or non-compliance with the Operating, Safety and Maintenance Instructions. All service, outside of normal maintenance as described in this manual, must be done by an authorized service technician. Any unauthorized service or changes to the original configuration of this product will void the warranty. All parts and accessories used on and with this product must be manufactured and or authorized by Merotec Inc.

(90) Ninety-Day Warranty – Components

The accessories included with the Snow Blower including the auger, belt and other similar parts are warranted against manufacturer defects for residential use only for a period of 90 days from date of purchase.

Warranty does not cover loss of use or other consequential damages arising from any of the above, nor does it cover repairs made or attempted by unauthorized persons.

This warranty is void if the product is used for commercial, rental or industrial purposes.

Certain parts, attachments and accessories are subject to normal wear and tear and are excluded from the warranty.

Service and Warranty Claims Process

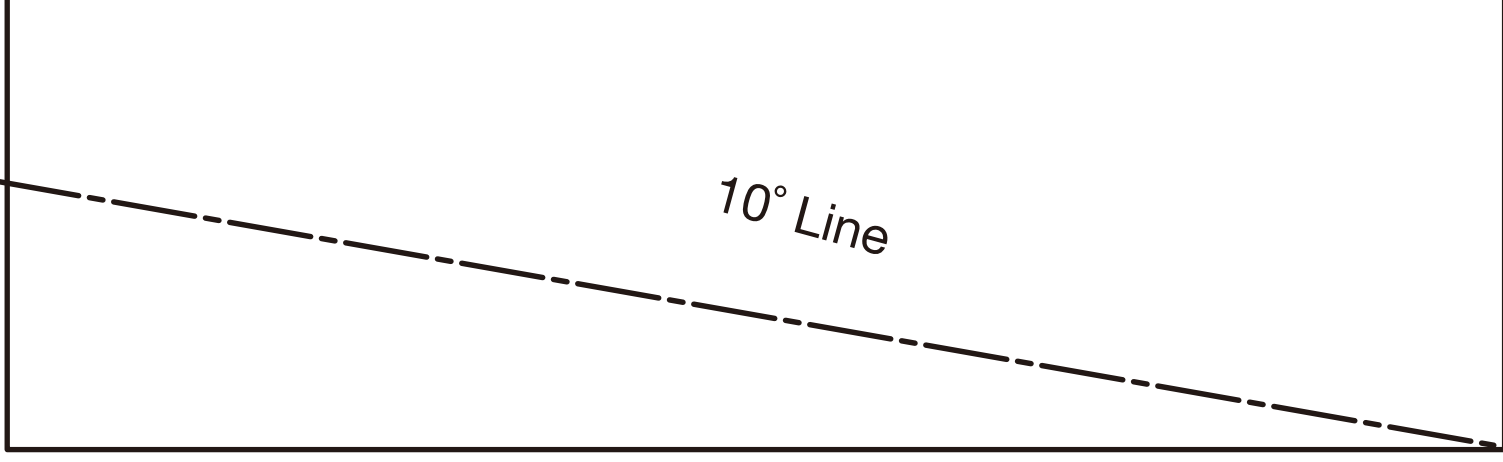
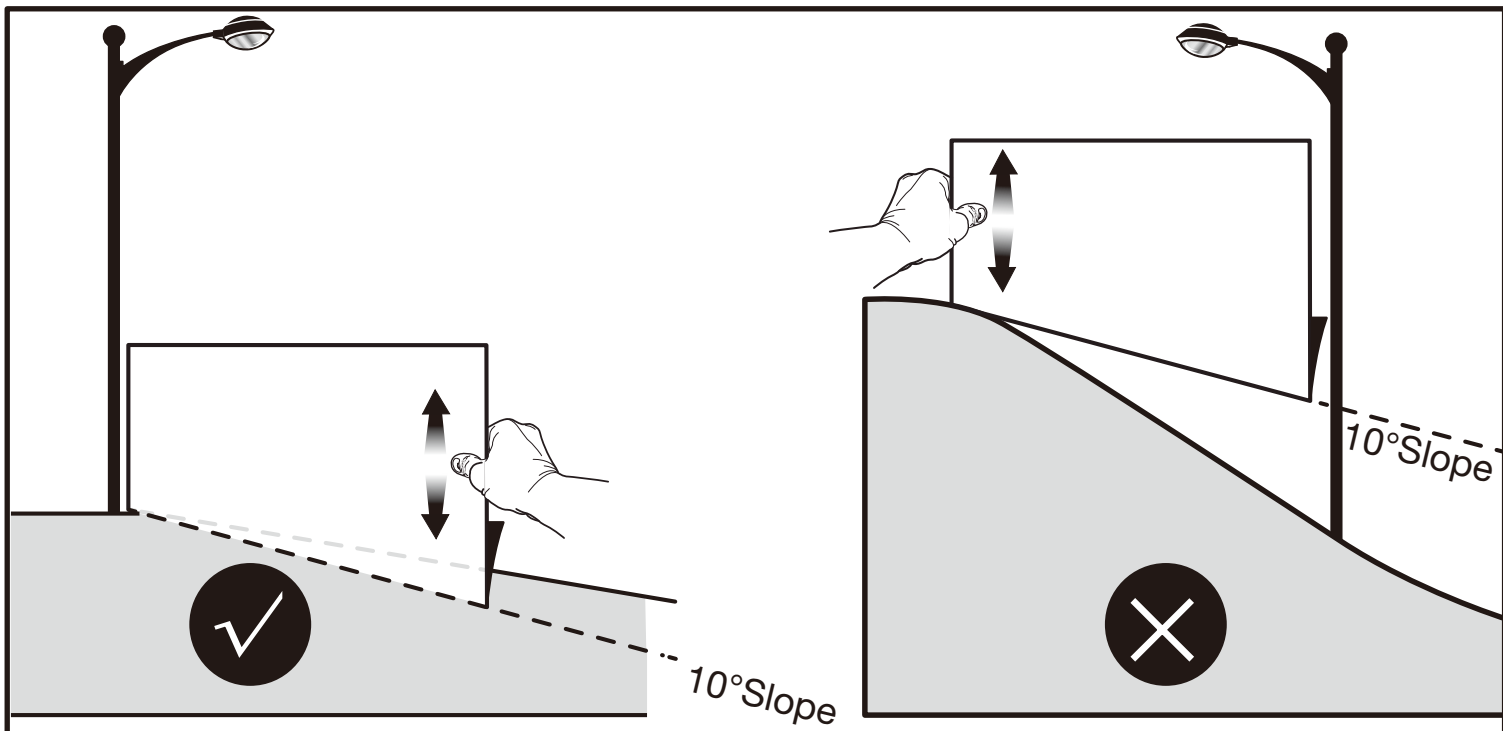
Contact the Yard Force Support Center toll-free at **(866) 902-9690 Monday-Friday between 8:30 AM and 5:00 PM Eastern Time** for service and warranty support.

Yard Force Service Support agents can help you troubleshoot problems over the phone to get you back up and running as quickly as possible. In the situation where service or warranty inspection is needed, please follow these steps:

1. Call Yard Force at **(866) 902-9690 Monday-Friday between 8:30 AM and 5:00 PM Eastern Time**.
2. Send in proof-of-purchase and serial number (if applicable) to confirm warranty Coverage as directed by Yard Force.
3. If service or a warranty evaluation is requested, Yard Force will provide an RGA number that should be used in all communications with Yard Force and is required to be indicated on the product itself and on the outside of the box.
4. All shipments to Yard Force must have an RGA number. Any shipment received that does not have an RGA number clearly marked on the outside of the box will be refused.
5. All shipments must be sent pre-paid, Yard Force does not pay for any shipping costs for service or warranty evaluation. Yard Force is not responsible for any packages that are lost by carrier. We recommend that shipments are made by a carrier that provides tracking and delcert confirmation

For more information or to ask questions, please call toll-free **(866) 902-9690 Monday-Friday between 8:30 AM and 5:00 PM Eastern Time**.

SAVE THESE INSTRUCTIONS





Need Help?

Please do not return the product to your place of purchase yet. We're here to help and take care of all your needs.

Contact our customer service department for help with:

- Product assembly or use
- Missing or damaged parts
- Troubleshooting
- Replacement parts and accessories

You can submit a support request by scanning the QR code on this page, or by visiting:
www.YardForceUSA.com/contact-support

Scan Code to connect with Yard Force Support



1-866-902-9690



www.YardForceUSA.com

Register your product today to maintain warranty coverage and stay up to date with information on the use, care, maintenance and service of your product.

Register online today at:

www.yardforceusa.com/product-registration



Merotec Inc.
3655 Kennesaw North Industrial Parkway
Kennesaw, GA 30144
Copyright © 2022 Merotec Inc.

Made in China at a SUMEC manufacturing facility.

Part Number: YF26-DS21-GSBSMAN-A
2208