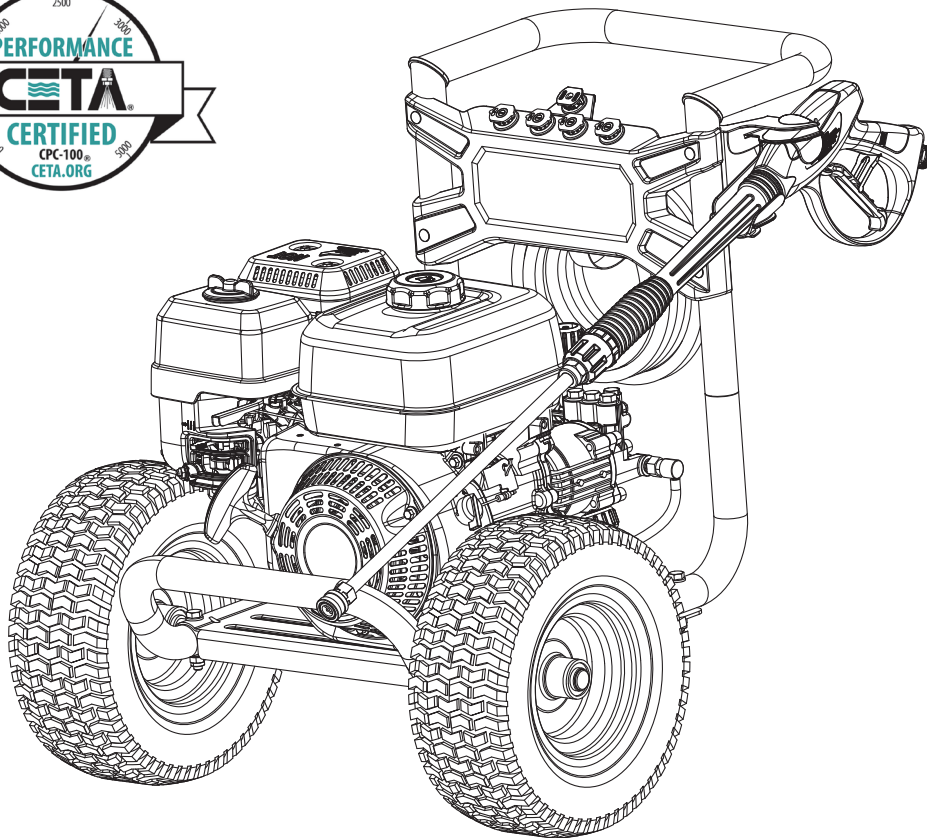




YF3600-H

GAS PRESSURE WASHER

Owner's Manual



Our Customer Service staff is ready to provide assistance.

In the case of a damaged or missing part, most replacement parts ship from our facility.

For immediate help with assembly, or for additional product information, visit www.YardForceUSA.com or email support@MerotecUSA.com



SAVE THIS MANUAL FOR REFERENCE



You will need this manual for safety instructions, operating procedures, and Warranty.

The original sales receipt is required for warranty service.

YARD FORCE

YF3600-H Original Instructions

TABLE OF CONTENTS

Safety Instructions	3
Part List	11
Product Specifications	12
Assembly	13
Operation	19
Maintenance	29
Storage	37
Troubleshooting	39
Warranty	40















SAFETY INSTRUCTIONS



Read this manual carefully and become familiar with your pressure washer. Know its applications, its limitations, and any hazards involved.

Important Safety Information

Safety Symbols and Meanings

 Operator's Manual	 Toxic Fumes
 Electrical Shock	 Slippery Surface
 Fall	 Fluid Injection
 Fire	 Explosion
 Kickback	 Projectile
 Moving Parts	 Flying Objects
 Chemical Burn	 Hot Surface



The safety alert symbol indicates a potential personal injury hazard. A signal word (DANGER, WARNING, or CAUTION) is used with the alert symbol to designate a degree or level of hazard seriousness. A safety symbol may be used to represent the type of hazard. The signal word NOTICE is used to address practices not related to personal injury.



DANGER

indicates a hazard which, if not avoided, will result in death or serious injury.



WARNING

indicates a hazard which, if not avoided, could result in death or serious injury.



CAUTION

indicates a hazard which, if not avoided, could result in minor or moderate injury.

NOTICE

address practices not related to personal injury.

SAFETY INSTRUCTIONS



WARNING

The engine exhaust from this product contains chemicals known to the State of California to cause cancer, birth defects, or other reproductive harm.



WARNING

This product contains lead and lead compounds, known to the State of California to cause birth defects or other reproductive harm. Wash your hands after handling this product.



WARNING

POISONOUS GAS HAZARD.



Engine exhaust contains carbon monoxide, a poisonous gas that could kill you in minutes. You CANNOT smell it, see it, or taste it. Even if you do not smell exhaust fumes, you could still be exposed to carbon monoxide gas. Some chemicals or detergents could be harmful if inhaled or ingested, resulting in death, serious injury, nausea, fainting or poisoning.

- Operate this product ONLY outside far away from windows, doors and vents to reduce the risk of carbon monoxide gas from accumulating and potentially being drawn towards occupied spaces.
- Install battery-operated carbon monoxide alarms or plug-in carbon monoxide alarms with battery back-up according to the manufacturer's instructions. Smoke alarms cannot detect carbon monoxide gas.
- DO NOT run this product inside homes, garages, basements, crawlspaces, sheds, or other partially-enclosed spaces even if using fans or opening doors and windows for ventilation. Carbon monoxide can quickly build up in these spaces and can linger for hours, even after this product has shut off.
- ALWAYS place this product downwind and point the engine exhaust away from occupied spaces.

If you start to feel sick, dizzy, or weak while using this a doctor. You may have carbon monoxide poisoning. that vapors may be inhaled when using chemicals.

- Use a respirator or mask whenever there is a chance that vapors may be inhaled when using chemicals.
- Read all instructions with mask so you are certain the mask will provide the necessary protection against inhaling harmful vapors when using chemicals.



WARNING

CHEMICAL BURN HAZARD.



Chemicals could cause burns resulting in death or serious injury.

- DO NOT use caustic liquid with pressure washer.

SAFETY INSTRUCTIONS

- Use ONLY pressure washer safe detergents/soaps.
Follow all manufacturers instructions.

WARNING

- Read all the instructions before using the product.
- To reduce the risk of injury, close supervision is necessary when a product is used near children.
- Know how to stop the product and bleed pressures quickly. Be thoroughly familiar with the controls.
- Stay alert-watch what you are doing.
- Do not operate the product when fatigued or under the influence of alcohol or drugs.
- Keep operating area clear of all persons.
- Do not overreach or stand on unstable support. Keep good footing and balance at all times.
- Follow the maintenance instructions specified in the manual.

WARNING



Starter cord kickback (rapid retraction) will pull hand and arm toward engine faster than you can let go which could cause broken bones, fractures, bruises, or sprains resulting in serious injury.

- NEVER pull starter cord without first relieving spray gun pressure.
- When starting engine, pull cord slowly until resistance is felt and then pull rapidly to avoid kickback.
- After each starting attempt, where engine fails to run, always point spray gun in safe direction, squeeze spray gun trigger to release high pressure.
- Firmly grasp spray gun with both hands when using high pressure spray to avoid injury when spray gun kicks back.

WARNING RISK OF ELECTROCUTION



Contact with power source could cause electric shock or burn resulting in death or serious injury.

- NEVER spray near power source.

SAFETY INSTRUCTIONS

WARNING



The high pressure stream of water that this equipment produces could cut through skin and its underlying tissues, resulting in serious injury and possible amputation.

Spray gun traps high water pressure, even when engine is stopped and water is disconnected, which could result in serious injury.

- If cut by fluid, call physician immediately. DO NOT treat as a simple cut.
- DO NOT allow CHILDREN to operate pressure washer.
- NEVER repair high pressure hose. Replace it.
- NEVER repair leaking connections with sealant of any kind. Replace o-ring or seal.
- NEVER connect high pressure hose to nozzle extension.
- Keep high pressure hose connected to pump and spray gun while system is pressurized.
- ALWAYS point spray gun in safe direction, press red button and squeeze spray gun trigger to release high pressure, every time you stop engine.
- NEVER aim spray gun at people, animals, or plants.
- DO NOT secure spray gun in open position.
- DO NOT leave spray gun unattended while machine is running.
- NEVER use a spray gun which does not have a trigger lock or trigger guard in place and in working order.
- Always be certain spray gun, nozzles and accessories are correctly attached.

WARNING



Fuel and its vapors are extremely flammable and explosive which could cause burns, fire or explosion resulting in death or serious injury.

WHEN ADDING OR DRAINING FUEL

- Turn pressure washer engine OFF and let it cool at least 2 minutes before removing fuel cap. Loosen cap slowly to relieve pressure in tank.
- Fill or drain fuel tank outdoors.
- DO NOT overfill tank. Allow space for fuel expansion.
- If fuel spills, wipe out redundant fuel before starting engine.
- Keep fuel away from sparks, open flames, pilot lights, heat, and other ignition sources.
- Check fuel lines, tank, cap and fittings frequently for cracks or leaks. Replace if necessary.
- DO NOT light a cigarette or smoke.

SAFETY INSTRUCTIONS

WHEN STARTING EQUIPMENT

- Ensure spark plug, muffler, fuel cap, and air cleaner are in place.
- DO NOT crank engine with spark plug removed.

WHEN OPERATING EQUIPMENT

- DO NOT operate this product inside any building, carport, porch, mobile equipment, marine applications, or enclosure.
- DO NOT tip engine or equipment at angle which causes fuel to spill.
- DO NOT spray flammable liquids.

WHEN TRANSPORTING, MOVING OR REPAIRING EQUIPMENT

- Transport/move/repair with fuel tank EMPTY or with fuel shutoff valve OFF(O).
- DO NOT tip engine or equipment at angle which causes fuel to spill.
- Disconnect spark plug wire.

WHEN STORING FUEL OR EQUIPMENT WITH FUEL IN TANK

- Store away from furnaces, stoves, water heaters, clothes dryers, or other appliances that have pilot light or other ignition source because they could ignite fuel vapors.

WARNING

- If you do not follow these instructions exactly, a fire or explosion may result causing property damage, personal injury or loss of life.
- In the event of pilot outage, wait at least five minutes to clear out any gas before relighting.
- Use only your hand to push in or turn the gas control knob. Never use a tool. If the knob will not push in or turn by hand, don't try to repair it; call a qualified service technician.

WARNING



Exhaust heat/gases could ignite combustibles, structures or damage fuel tank causing a fire, resulting in death or serious injury.

Contact with muffler area could cause burns resulting in serious injury.

- DO NOT touch hot parts and AVOID hot exhaust gases.
- Allow equipment to cool before touching,
- Keep at least 5 ft. (1.5 m) of clearance on all sides of pressure washer including overhead.
- Replacement parts must be the same and installed in the same position as the original parts.

SAFETY INSTRUCTIONS

WARNING



Use of pressure washer could create puddles and slippery surfaces causing you to fall resulting in death or serious injury.

Kickback from spray gun could cause you to fall resulting in death or serious injury.

- Operate pressure washer from a stable surface.
- The cleaning area should have adequate slopes and drainage to reduce the possibility of a fall due to slippery surfaces.
- Be extremely careful if you must use the pressure washer from a ladder, scaffolding, or any other similar location.
- Firmly grasp spray gun with both hands when using high pressure spray to avoid injury when spray gun kicks back.

WARNING



Unintentional sparking could cause fire or electric shock resulting in death or serious injury.

WHEN ADJUSTING OR MAKING REPAIRS TO YOUR PRESSURE WASHER

- Disconnect the spark plug wire from the spark plug and place the wire where it cannot contact spark plug.

WHEN TESTING FOR ENGINE SPARK

- Use approved spark plug tester.
- DO NOT check for spark with spark plug removed.

WARNING



Starter and other rotating parts could entangle hands, hair, clothing, or accessories resulting in serious injury.

- NEVER operate pressure washer without protective housing or covers.
- DO NOT wear loose clothing, jewelry or anything that could be caught in the starter or other rotating parts.
- Tie up long hair and remove jewelry.

SAFETY INSTRUCTIONS

WARNING



Risk of eye or bodily injury.

Spray could splash back or propel objects resulting in serious injury.

- Always wear indirect vented (chemical splash) safety goggles marked to comply with ANSI Z87.1 when using or in vicinity of this equipment.
- NEVER substitute safety glasses or dry-condition goggles for indirect vented safety goggles.
- Always wear protective clothing such as a long-sleeved shirt, long pants and close-toed shoes.
- NEVER operate pressure washer when barefoot or wearing sandals or shorts.

CAUTION

Excessively high operating speeds could result in minor injury.

Excessively low speeds impose a heavy load.

- DO NOT tamper with governor spring, links or other parts to increase engine speed. Pressure washer supplies correct rated pressure and flow when running at governed speed.
- DO NOT modify pressure washer in any way.

NOTICE

High pressure spray could damage fragile items including glass.

- DO NOT point spray gun at glass when using red (0 °) spray tip.
- NEVER aim spray gun at plants

NOTICE

Improper treatment of pressure washer could damage it and shorten its life.

- If you have questions about intended use, ask dealer or contact qualified service center.
- NEVER operate units with broken or missing parts, or without protective housing or covers.
- DO NOT by-pass any safety device on this machine.
- DO NOT tamper with governed speed.
- DO NOT operate pressure washer above rated pressure.
- DO NOT modify pressure washer in any way.

SAFETY INSTRUCTIONS

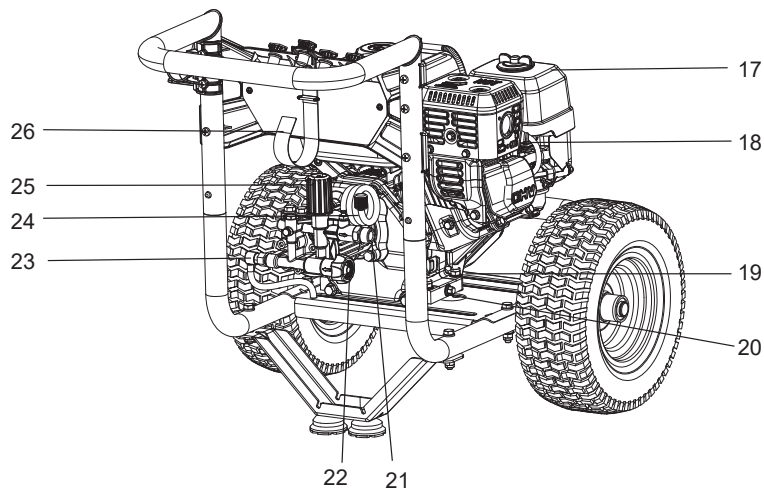
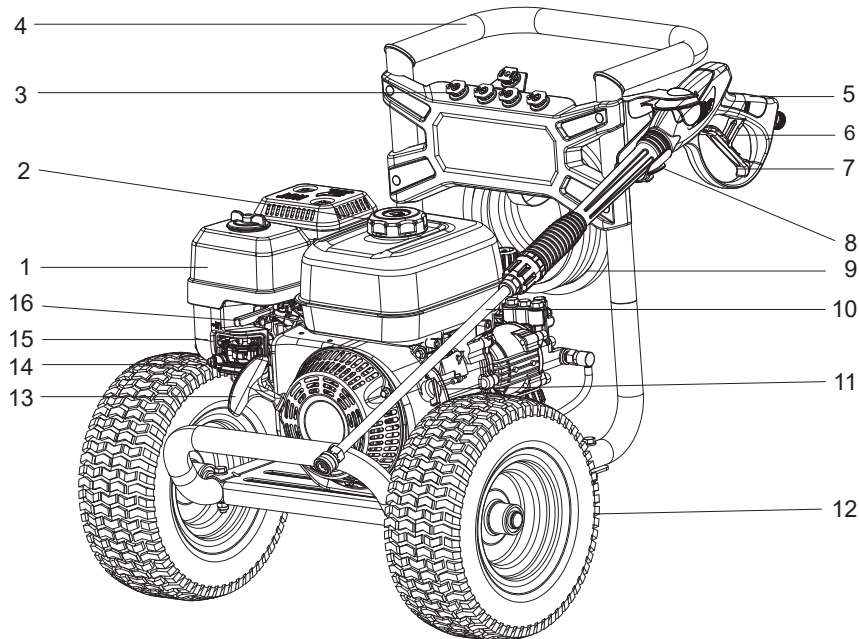
- Before starting pressure washer in cold weather, check all parts of the equipment to be sure ice has not formed there.
- NEVER move machine by pulling on hoses. Use handle provided on unit.
- Use only identical replacement parts as specified in the Parts List in this manual. User assumes all risks and liabilities if other parts are used.

PARTS LIST

KNOW YOUR PRESSURE WASHER



Read the operator's manual and safety rules before operating your pressure washer. Compare the illustrations with your pressure washer to familiarize yourself with the locations of various controls and adjustments. Save this manual for future reference.



- | | |
|--|-----------------------------------|
| 1. Engine | 14. Fuel Valve Lever |
| 2. Fuel Fill Cap | 15. Choke Lever |
| 3. Quick-Connect Nozzles 5 pcs (0°,10°,25°,40°,soap) | 16. Throttle Lever |
| 4. Upper Handle | 17. Air Filter |
| 5. Spray Gun | 18. Spark Plug |
| 6. Spray Gun Trigger Lock | 19. Oil Dipstick |
| 7. Spray Gun Trigger | 20. Engine Oil Drain Plug |
| 8. Gun Holder | 21. High Pressure Hose Connection |
| 9. High Pressure Hose | 22. Water Inlet |
| 10. Spray Wand with Quick Connector | 23. Thermal Relief Valve |
| 11. Engine ON/OFF Switch | 24. Detergent Tube |
| 12. 12" Pneumatic Tires | 25. Adjustable Pressure Regulator |
| 13. Recoil Starter Grip | 26. Hose Hanger |

PRODUCT SPECIFICATIONS

Pressure Washer Specifications	
Max. Outlet Pressure	PSI (per square inch)
Max. Flow Rate.	2.5 GPM (gallons per minute)
Water Supply Temperature.	Not to Exceed 100°F
Engine Specifications	
Engine Model	Honda GX200
Displacement	196 cc
Fuel Capacity	1.06 Quarts
Oil Capacity	Max. 20 Ounces

NOTICE

For practical operation, the engine load should not exceed 85% of rated power. Engine power will decrease 3.5% for each 1,000 ft. (300 m) above sea level and 1% for each 10° F (5.6 ° C) above 77°F (25 ° C). It should operate satisfactorily at an angle up to 15°.

* This pressure washer is rated in accordance to the Cleaning Equipment Trade Association(CETA) CPC 100 Performance Standard.

ASSEMBLY

Your pressure washer requires some assembly and is ready for use only after it has been properly serviced with the recommended oil and fuel.

If you have any problems with the assembly of your pressure washer, please call the Yard Force helpline at 1-866-902-9690.

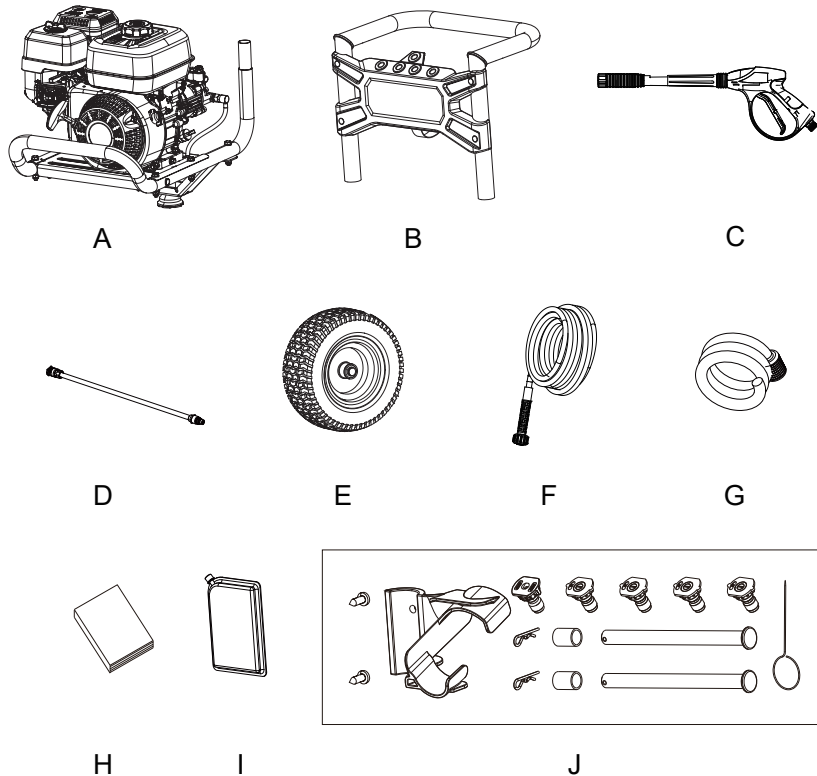
IMPORTANT: Any attempt to run the engine before it has been serviced with the recommended oil will result in an engine failure.

UNPACK THE PRESSURE WASHER

- Remove everything from carton except the pressure washer.
- Open carton completely by cutting each corner from top to bottom.
- Remove pressure washer from carton.

CARTON CONTENTS

Check all contents. If any parts are missing or damaged, call the Yard Force helpline at 1-866-902-9690.



A - Main Unit

B - Upper Handle Unit

C - Spray Gun

D - Spray Wand

E - Pneumatic Tires 2 pcs

F - High Pressure Hose

G - Detergent Tube

H - Manuals

I - Engine Oil (18 oz)

J - Hardware Kit: Contents Below

Wheel Axle 2pcs

Spacer 2 pcs

B-type pin 2 pcs

Spray Gun Holder 1 pc

Self-tapping Screws 2 pcs

Nozzel Cleaning Needle 1 pc

Quick-connect Nozzles 5 pcs

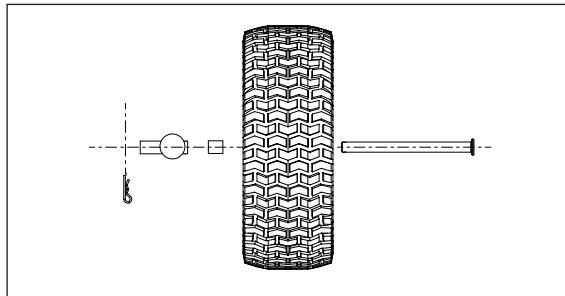
ASSEMBLY

Become familiar with each piece before assembling the pressure washer. Check all contents against the illustration. If any parts are missing or damaged, call the Yard Force helpline at 1-866-902-9690.

ASSEMBLING YOUR PRESSURE WASHER

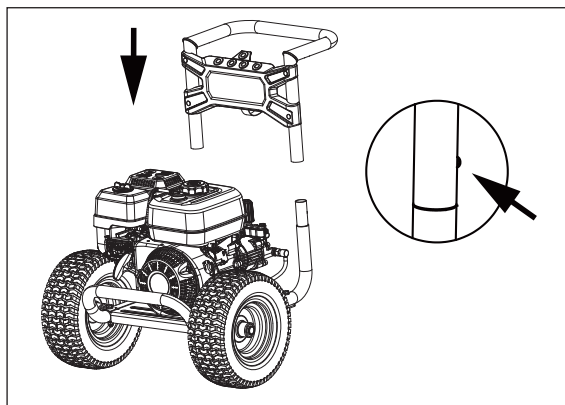
1. Assembling the tires

Insert the wheel axle into the hole of the wheel and put on the spacer, then fix the axle with B-type Pin. Be sure the valve stems point away from the pressure washer.

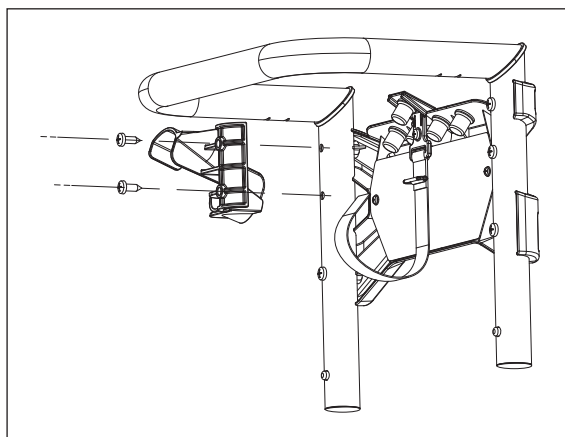


2. Install the upper handle unit

Install the upper handle as shown below, make sure this upper handle snaps into a locked position.

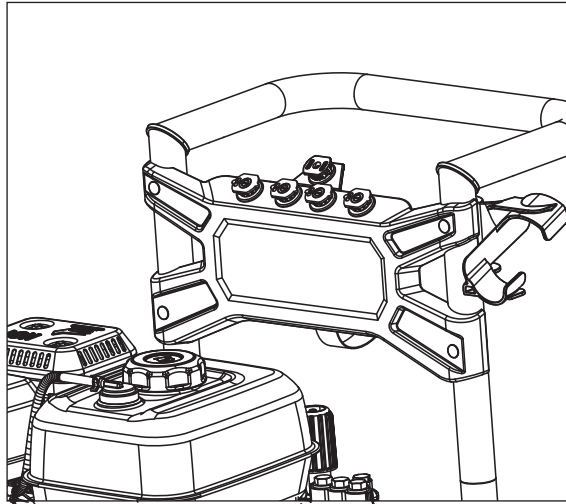


3. Connect the spray gun holder to the handle as shown. Fasten with 2 screws.

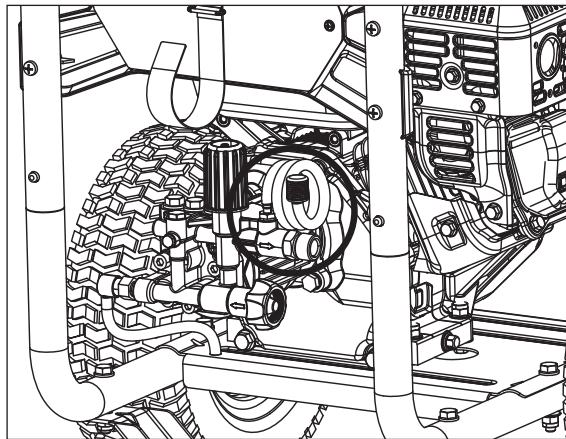


ASSEMBLY

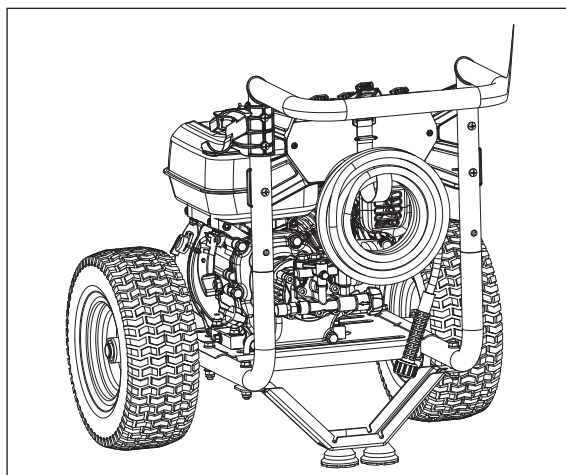
4. Insert quick-connect nozzles on the bracket of the upper handle unit.



5. Attach the detergent tube on the pump.



6. Attach the high pressure hose onto the hose hanger strap.



ASSEMBLY

7. Connect Water Supply to Pump

IMPORTANT! DO NOT run the pump without the water supply connected and turned on.

a) Damage to pressure washer resulting from failure to follow this instruction will void warranty.

NOTICE

Remove and discard the shipping caps from the pump's high pressure outlet and water inlet before attaching hoses.

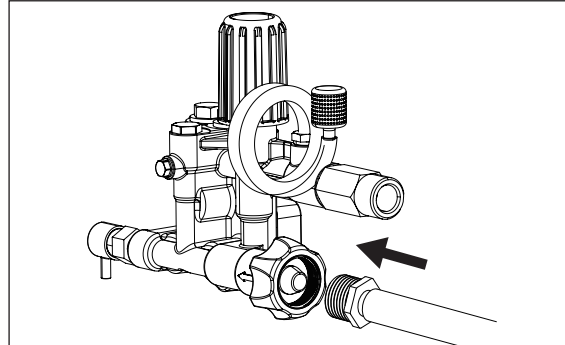
! WARNING



The high pressure stream of water that the pressure washer produces could cut through skin and its underlying tissues, resulting in serious injury and possible amputation.

- NEVER connect high pressure hose directly to spray wand.
- Keep high pressure hose connected to pump and spray gun while system is pressurized.
- Always be certain spray gun, wand, nozzles and other accessories are correctly attached.

Before you connect your garden hose to the water inlet, inspect the inlet screen. Clean the screen if it contains debris or have it replaced if damaged. Do Not run the pressure washer if the inlet screen is damaged or missing.



IMPORTANT! NEVER siphon standing water for the water supply. Use only cold water (less than 100 °F).

! CAUTION!

CAUTION! Using a One Way Valve (vacuum breaker or check valve) at pump inlet could cause pump or inlet connector damage.

- b) There must be at least 10 ft. (3 m) of unrestricted garden hose between pressure washer inlet and any device, such as a vacuum breaker or check valve.
- c) Damage to pressure washer resulting from failure to follow this instruction will void warranty.
- d) Runwater through garden hose for 30 seconds to flush it of debris. Turn off water.
- e) Connect garden hose (not to exceed 30 ft. in length) to water inlet. Tighten by hand.

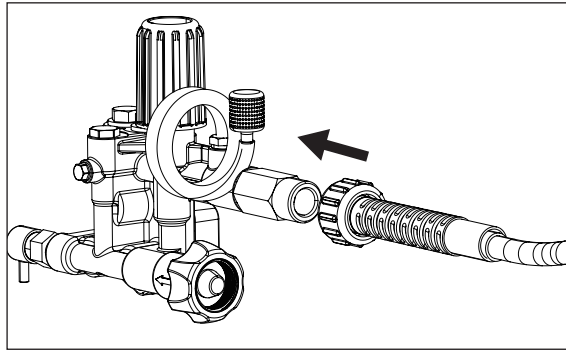
ASSEMBLY

NOTICE

Water supply must flow at least 3.7 GPM or more.

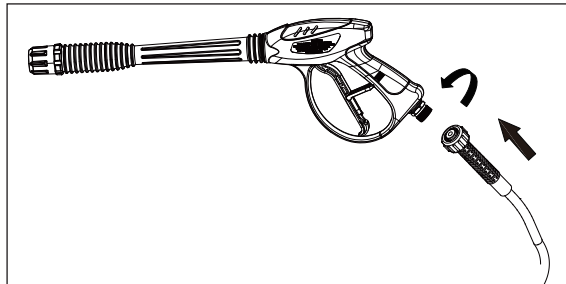
8. Connect High Pressure Hose to Pump

Take out the high pressure hose from the hose holder, uncoil high pressure hose and attach one end of hose to high pressure outlet on pump. Tighten by hand.

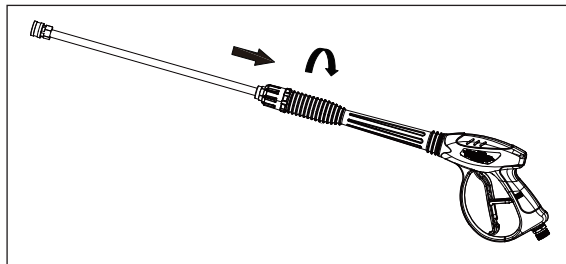


9. Connect Spray Wand and Quick-Connect Nozzles

a. Attach other end of high pressure hose to base of spray gun. Tighten by hand.



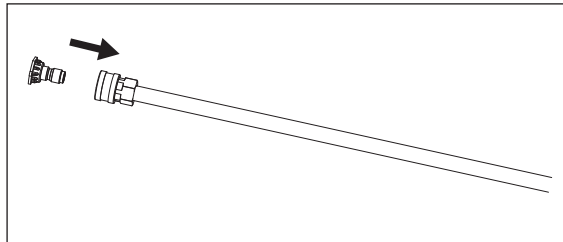
b. Attach the spray wand into spray gun. Tighten by hand.



c. Turn OFF the water and set trigger to locked position. Point the spray gun at a safety direction and make sure trigger is locked and can't be squeezed.

ASSEMBLY

- d. Choose the quick-connect nozzle you want to use, pull back on collar of spray wand , insert the nozzle and release collar. Tug on the nozzle to make sure it is securely in place. More information please see “How to Use Quick-Connect Nozzles” section.



CHECK-LIST BEFORE STARTING ENGINE

Review the assembly to ensure you have performed all of the following:

- f) Be sure to read "Safety Rules" and "Operation" sections before using the pressure washer.
- g) Make sure handle is in place and secure.
- h) Check that oil has been added to proper level in engine crankcase.
- i) Add proper gasoline to fuel tank.
- j) Check for properly tightened hose connections (high pressure and water supply) and for tight connections and that there are no kinks, cuts, or damage to the high pressure hose.
- k) Provide proper water supply (not to exceed 100°F).
- l) If starting pressure washer after storage, see "Storage" section below.

OPERATION PREPARATION

1. Filling with engine oil

IMPORTANT!

The following procedures and adjustments must be performed before the engine is started. Do not attempt to make any of these adjustments while the engine is running.

This engine is shipped without oil or gas, any oil residue is from testing prior to shipping.

The engine must be filled with the correct grade of oil and gas before starting the engine.

Running the engine with a low oil level will cause irreparable engine damage.

Always use high-quality detergent oil classified SAE 10W-30 oil (or equivalent, e.g. 5W 30, often termed as 4-stroke oil).

Only use additives recommended by the engine manufacturer to prolong the life of your engine, it is important that the oil is changed after the first 5 hours of use.

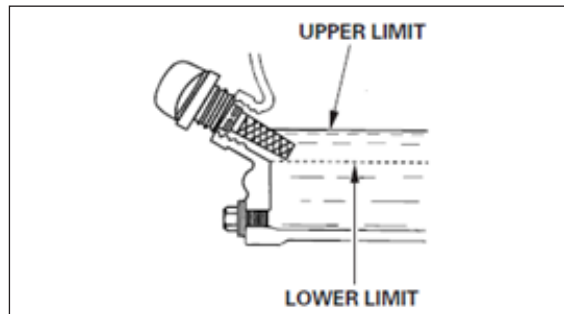
Check the engine oil level with the engine stopped and the pressure washer on a level surface.

- Remove the oil filler dipstick and wipe oil from it with a clean cloth.
- Insert the dipstick into the oil filler neck, and do not screw it in.
- Then remove the dipstick and check the oil level. The oil level must be between the Min. and Max. marks on the dipstick. If near the lower level, fill to the upper level with the recommended oil (SAE 10W-30 or equivalent).

Do not overfill. Wipe away any spilt oil.

- Before using for the first time, please add engine oil.

OPERATION



2. Filling with engine fuel

Fuel must meet these requirements:

- Clean, fresh, unleaded gasoline
- A minimum of 87 octane/ 87 AKI (91 RON)
- Gasoline with up to 10% ethanol (gasohol) is acceptable.

WARNING

Refuel in a well-ventilated area with the engine stopped. Do not smoke or allow flames or sparks in the area where the engine is refueled or where gas is stored.

Avoid repeated or prolonged contact with skin or inhalation of vapour.

CAUTION

Gas is highly flammable and extreme caution must be taken when handling or working with it. Keep out of reach of children.

- Clean the area around the fuel filler cap before removing the cap. Check the fuel level.
- Refill the tank if the fuel level is low.
- Always use clean, fresh unleaded petrol and purchase fuel in quantities that can be used within 30 days.
- Never mix oil with gas.
- To allow for expansion, carefully refuel and avoid overfilling or spillage. There should be no fuel in the filler neck.
- Clean up any overflow or splashes of gas before starting the engine.
- Tighten the filler cap after filling, finger tight only.

OPERATION

WARNING



Fuel and its vapors are extremely flammable and explosive which could death or serious injure.

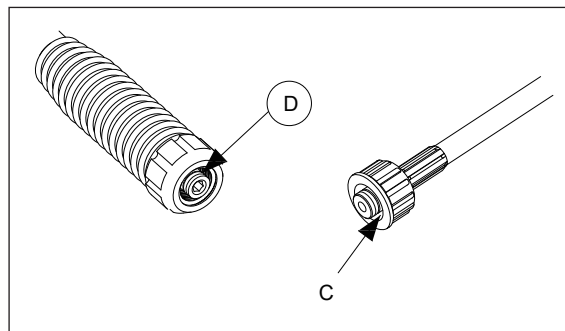
WHEN ADDING FUEL

- Turn pressure washer engine OFF and let it cool at least 2 minutes before removing fuel cap. Loosen cap slowly to relieve pressure in tank.
- Fill fuel tank outdoors.
- DO NOT-overfill tank. Allow space for fuel expansion.
- If fuel spills, wait until it evaporates before starting engine.
- Keep fuel away from sparks, open flames, pilot lights, heat, and other ignition sources.
- Check fuel lines, tank, cap and fittings frequently for cracks or leaks. Replace if necessary.
- DO NOT light a cigarette or smoke.

3. Lubricate O-Rings On High Pressure Hose

Lubrication of o-rings is extremely important for installation and operation. The use of lubricant (petroleum or synthetic grease) during assembly helps seat o-rings properly and provides and improved seal. It also helps protect the o-rings from damage by abrasion, pinching or cutting and extends the life of the o-rings.

NOTICE: ALWAYS apply a small amount of lubricant on o-rings prior to assembling the garden hose to the high pressure hose (C), spray gun (D).



Lubricate all connections shown above, following these instructions:

- Inspect and clean connecting surfaces prior to lubrication and assembly.
- Use lubricants sparingly during assembly; a light film is all that is required.
- Use a small brush or cotton swab to apply grease directly to o-rings where they are not accessible.

OPERATION

HOW TO USE YOUR PRESSURE WASHER

If you have any problems operating your pressure washer, please call the Yard Force helpline at 1-866-902-9690.

Pressure Washer Location

Carbon Monoxide Poisoning

WARNING POISONOUS GAS HAZARD.

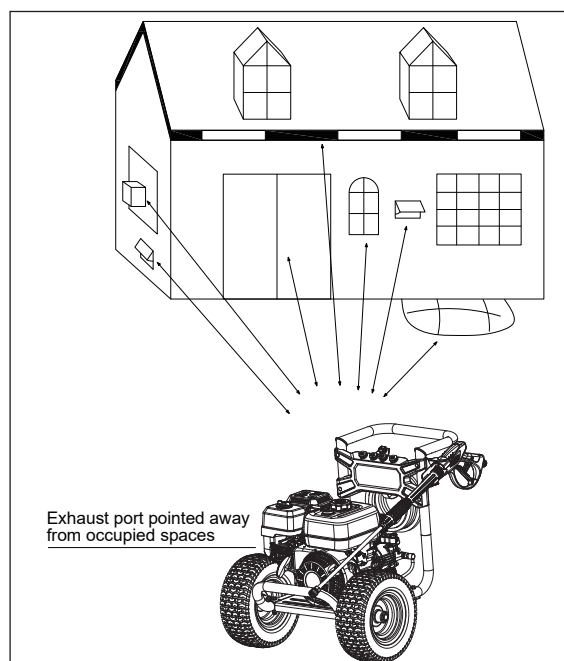


Engine exhaust contains carbon monoxide, a poisonous gas that could kill you in minutes.

You CANNOT smell it, see it, or taste it, Even if you do not smell exhaust fumes, you could still be exposed to carbon monoxide gas.

- Operate this product ONLY outside far away from windows, doors and vents to reduce the risk of carbon monoxide gas from accumulating and potentially being drawn towards occupied spaces.
- Install battery-operated carbon monoxide alarms or plug-in carbon monoxide alarms with battery back-up according to the manufacturer's instructions. Smoke alarms cannot detect carbon monoxide gas.
- DO NOT run this product inside homes, garages, basements, crawlspaces, sheds, or other partially enclosed spaces even if using fans or opening doors and windows for ventilation. Carbon monoxide can quickly build up in these spaces and can linger for hours, even after this product has shut off.
- ALWAYS place this product downwind and point the engine exhaust away from occupied spaces.

If you start to feel sick, dizzy, or weak while using this product, shut it off and get to fresh air RIGHT AWAY. See a doctor. You may have carbon monoxide poisoning.



OPERATION

Risk of Fire Clearances

WARNING



Exhaust heat/gases could ignite combustibles, structures or damage fuel tank causing a fire, resulting in death or serious injury.

- Keep at least 5 ft. (1.5 m) clearance on all sides of pressure washer including overhead.

To Start Your Pressure Washer

To start your engine-powered pressure washer for the first time, follow these instructions step-by-step. This starting information also applies whenever you start the engine after you have let the pressure washer sit idle for at least a day.

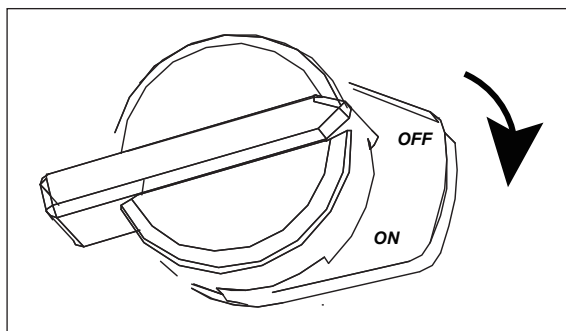
1. Place pressure washer outside near an water source capable of supplying water at a flow rate greater than 3.7 gallons per minute and no less than 20 PSI at pressure washer end of garden hose.
2. Check that high pressure hose is tightly connected to spray gun and pump. See “Assembly” for illustrations.
3. Make sure unit is in a level position.
4. Connect garden hose to water inlet on pressure washer pump.

CAUTION

Do Not run the pump without the water supply connected and turned on.

Damage to pressure washer resulting from failure to follow this instruction will void warranty.

5. Turn ON the water, point the spray gun at a safe direction, release the trigger lock, then squeeze trigger 30 seconds to purge the pump system of air and impurities.
6. Attach the spray wand to the spray gun. Tighten by hand.
7. Choose the quick-connect nozzle you want to use, pull back on collar of spray wand , insert the nozzle and release collar. Tug on the nozzle to make sure it is securely in place. See "Assembly" . More information please see “How to Use Quick-Connect Nozzles” section.
8. Engage the trigger lock on the spray gun.
9. Push engine rocker switch to ON position.



OPERATION

NOTICE

Before starting the pressure washer, be sure you are wearing safety goggles as described below.

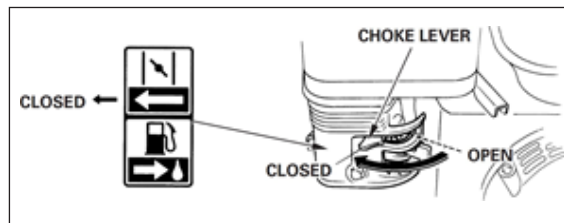
! WARNING Risk of eye injury.



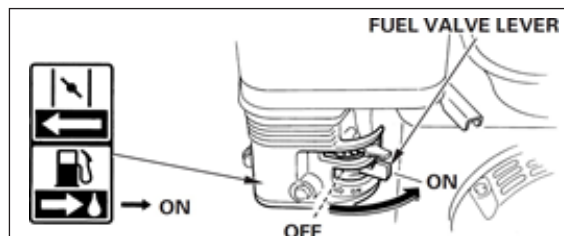
Spray could splash back or propel objects resulting in serious injury.

- Always wear indirect vented (chemical splash) safety goggles marked to comply with ANSI Z87.1 when using or in vicinity of this equipment.
- NEVER substitute safety glasses or dry-condition goggles for indirect vented safety goggles.

10. To start a cold engine, move the choke lever to "CLOSED" position

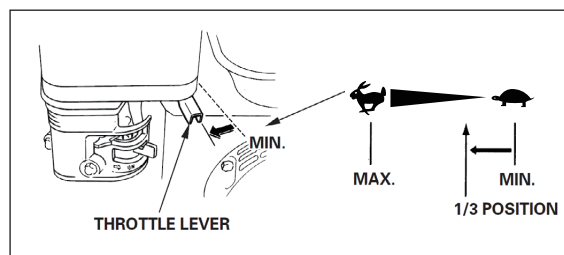


11. Move the fuel valve lever to "ON" position (Lever in right position).



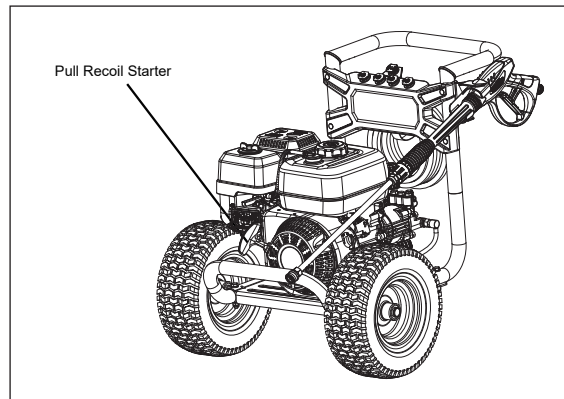
NOTE: For a warm engine, be sure the CHOKE lever is in the "ON" position.

12. Move the throttle lever away from the MIN. position (symbol tortoise), about 1/3 of the way toward the MAX. position (symbol rabbit).



OPERATION

13. When starting engine, grasp starter grip handle and pull slowly until you feel some resistance. Then pull rapidly to start engine.



14. Return the starter grip handle slowly. Do Not let rope "snap back" against starter.

WARNING



Starter cord kickback (rapid retraction) will pull hand and arm toward engine faster than you can let go which could cause broken bones, fractures, bruises, or sprains resulting in serious injury.

- NEVER pull starter cord without first relieving spray gun pressure.
- When starting engine, pull cord slowly until resistance is felt and then pull rapidly to avoid kickback.
- After each starting attempt, where engine fails to run, always point spray gun at safety direction, release the grey trigger lock, and squeeze spray gun trigger to release high pressure.
- Firmly grasp spray gun with both hands when using high pressure spray to avoid injury when spray gun kicks back.

15. When cold engine starts, slowly move choke lever to the "ON" position.

16. If engine fails to start after six pulls, move choke lever to the "ON" position, and then try again. Move the throttle lever to the MAX. position.

17. Point spray gun at a safety direction, release the trigger lock, and squeeze the trigger to start your washing work.

NOTE: If the recoil starter is hard to pull, it may be necessary to squeeze the gun trigger to relieve internal pump pressure.

WARNING



The high pressure stream of water that this pressure washer produces could cut through skin and its underlying tissues, resulting in serious injury and possible amputation.

Spray gun traps high water pressure, even when engine is stopped and water is disconnected, which could result in serious injury.

- DO NOT allow CHILDREN to operate pressure washer.
- Keep high pressure hose connected to pump and spray gun while system is pressurized.

OPERATION

- NEVER aim spray gun at people, animals, or plants.
- DO NOT secure spray gun in open position.
- DO NOT leave spray gun unattended while machine is running.
- NEVER use a spray gun which does not have a trigger lock or trigger guard in place and in working order.
- Always be certain spray gun, nozzles and accessories are correctly attached.

WARNING

Exhaust heat/gases could ignite combustibles, structures or damage fuel tank causing a fire, resulting in death or serious injury.

Contact with muffler area could cause burns resulting in serious injury.

- DO NOT touch hot parts and AVOID hot exhaust gases.
- Allow equipment to cool before touching.
- Keep at least 5 ft. (1.5 m) of clearance on all sides of pressure washer including overhead.
- Replacement parts must be the same and installed in the same position as the original parts.

How to Stop Your Pressure Washer

1. Release spray gun trigger and set lock.
2. Move the throttle lever to MIN. position.
3. Push engine rocker switch to OFF position.
4. Slide the fuel valve to OFF position.
5. Turn off the water supply.
6. ALWAYS point spray gun at a safety direction, release the grey trigger lock, and squeeze the trigger to release retained high water pressure.
7. Allow the engine to cool completely before handling and storage.

WARNING



The high pressure stream of water that this pressure washer produces could cut through skin and its underlying tissues, resulting in serious injury and possible amputation.

Spray gun traps high water pressure, even when engine is stopped and water is disconnected, which could result in serious injury.

- Every time when you stop engine, ALWAYS point spray gun at safety direction, release the grey trigger lock, and squeeze spray gun trigger to release high pressure.

NOTE: A small amount of water will squirt out when you release the pressure.

OPERATION

How To Use Quick-Connect Nozzles

The quick-connect on the spray wand allows you to switch between the 5 different quick-connect nozzles included with this pressure washer. Nozzles can be changed while the pressure washer is running once the spray gun trigger is locked. The nozzles vary the spray pattern as shown.

Follow these instructions to change nozzles:

1. Pull back collar on spray wand and pull current nozzle out. Store nozzles in holders on the accessory bracket attached to the handle.

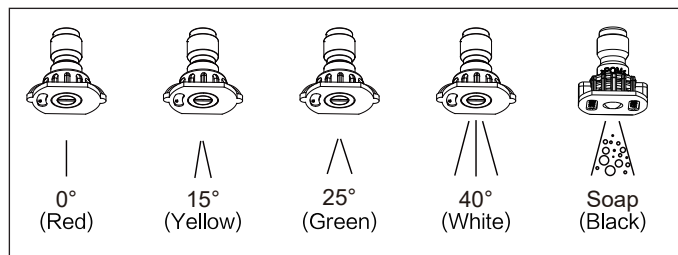
WARNING



The high pressure stream of water that this equipment produces could cut through skin and its underlying tissues, resulting in serious injury and possible amputation.

- NEVER change nozzles without the trigger locked on the spray gun.
- DO NOT twist nozzles while spraying.

2. Select desired nozzle.



The spray nozzles are in different colors, below are some suggestions for different purposes.

- For cleaning of hard surfaces like cement, metal, brick, etc. use the red 0° nozzle.

CAUTION!

This nozzle generates a very powerful stream that will damage softer materials including wood, plastic and textile. NEVER use this nozzle to clean any part of any vehicle.

- For general rinsing, ideal for most all purpose cleaning such as home siding, brick patios, wood decks, driveways and sidewalks, garage floors, etc., select yellow 25° nozzle .
- For standard cleaning for most applications, such as sidewalks, lawn furniture, select the green 15° nozzle.
- For delicate rinse, for gentle cleaning of cars trucks, boats, RV's, patio furniture, lawn equipment, etc., select white 40° nozzle.
- To apply detergent, applies project specific cleaners to help break down stubborn dirt and grime on a variety of surfaces, select black soap nozzle.

3. Pull back on collar, insert new nozzle and release collar. Tug on nozzle to make sure it is securely in place.

OPERATION

Cleaning Suggestions

- For most effective cleaning, keep nozzle from 8 to 24 inches (20 to 61 cm) away from cleaning surface.
- If you get nozzle too close, especially using a high pressure nozzle, you may damage surface being cleaned.
- Do Not get closer than 6 inches (15 cm) when cleaning tires.

Applying Detergent

To apply detergent, follow these steps:

1. Review “How To Use Quick-Connect Nozzles”.
2. Prepare detergent solution as required by the detergent instructions.
3. Place the filtered end of the detergent tube into a container of detergent.



Chemical Burn Hazard.

Chemicals could cause burns resulting in death or serious injury.

- DO NOT use bleach or any caustic liquid with pressure washer.
 - Use ONLY pressure washer safe detergents/soaps.
4. Make sure black detergent nozzle is installed.

NOTICE

Detergent cannot be applied with any high pressure nozzles (White, Yellow or Green).

5. Make sure the garden hose is connected to the water inlet. Check that the high pressure hose is connected to the spray gun and the pump. Turn on water.
6. Start the engine following instructions “How to Start Your Pressure Washer”.

NOTICE

You must attach all hoses before you start the engine

Starting the engine without all the hoses connected and without the water turned on could damage the pump.

- Damage to pressure washer resulting from failure to follow this instruction will void warranty.
7. Apply detergent as directed by the detergent manufacturer.
 8. After using soap, place the filtered end of the soap hose into a container of clean water and use pressure washer drawing clean water through the hose and pump until the system is thoroughly rinsed. If soap or other chemicals remain in the pump, the pump could be damaged. Pump damage from soap or chemical residue is not covered under warranty.

OPERATION

Pressure Washer Rinsing

WARNING



Be extremely careful if you use the pressure washer from a ladder, scaffolding or any other relatively unstable location. Pressure in a running washer builds as you climb. When you press the trigger, the recoil from the initial spray could cause you to fall. The high pressure spray could also cause you to fall if you are too close to the cleaning surface.

For Rinsing:

1. Remove the black detergent nozzle, and select the nozzles with high pressure following instructions "How. To Use Quick-Connect Nozzles", squeeze the spray gun trigger and wait for the detergent to clear.

WARNING



Kickback from spray gun could cause you to fall resulting in death or serious injury.

- Operate pressure washer from a stable surface.
 - Be extremely careful if you must use the pressure washer from a ladder, scaffolding, or any other similar location.
 - Firmly grasp spray gun with both hands when using high pressure spray to avoid injury when spray gun kicks back.
2. Keep the spray gun a safe distance from the area you plan to spray.
 3. Apply a high pressure spray to a small area, then check the surface for damage. If no damage is found, it is okay to continue cleaning.
 4. Start at the top of the area to be rinsed, working down with same overlapping strokes as you used for washing and applying detergent.

Adjusting Pressure

1. To lower the pressure, turn the pressure regulator knob clockwise to the desired pressure.
2. To return the pressure to the factory setting, turn the pressure regulator knob counter clockwise until it stops.

MAINTENANCE

OWNER'S RESPONSIBILITIES

Follow the hourly or calendar intervals, whichever occurs first. More frequent service is required when operating in adverse conditions noted below.

First 5 Hours
Change oil
Every 8 Hours or Daily
Check/clean water inlet screen
Check high pressure hose for damage
Check detergent siphoning hose for damage
Check spray gun and assembly for leaks
Clean debris
Check engine oil level
Clean area around muffler and controls
Clean air intake grille
Every 25 Hours or Annually
Clean air filter
Clean pre-filter, if equipped
Every 50 Hours or Yearly
Check engine oil
Clean engine air cleaner
Inspect muffler and spark arrester
Every 150 Hours or Yearly
Replace engine air cleaner
Yearly
Replace spark plug
Replace air filter
Replace pre-filter, if equipped
Service fuel system
Clean cooling system

1. Clean air filter if clogged. Replace if perforated or torn.
2. Service air filter more often under dirty or dusty conditions.

General Recommendations

Regular maintenance will improve the performance and extend the life of the pressure washer. See any Yard Force or other qualified service dealer for service.

The pressure washer warranty does not cover items that have been subjected to operator abuse or negligence. To receive full value from the warranty, the operator must maintain pressure washer as instructed in this manual including proper storage as detailed in "Storage".

Some adjustments will need to be made periodically to properly maintain your pressure washer.

All service and adjustments should be made at least once each season. A new spark plug and clean air filter assure proper fuel-air mixture and help your engine run better and, last longer.

Follow the requirements in the "Maintenance Schedule" chart above.

MAINTENANCE

NOTICE

Once a year you should clean or replace the spark plug and replace the air filter. A new spark plug and clean air filter assure proper fuel-air mixture and help your engine run better and last longer.

Pump Oil

DO NOT attempt any oil maintenance on this pump.

The pump is fabricated and sealed from the factory, requiring no additional maintenance for the life of the pump.

Emission Control

Maintenance, replacement, or repair of the emissions control devices and systems may be performed by any non-road engine repair establishment or individual. However, to obtain service without voiding the warranty, the work must be performed by a manufacturer authorized service center.

Before Each Use

1. Check engine oil level.
2. Clean debris.
3. Check water inlet screen for damage.
4. Check high pressure hose for leaks.
5. Check chemical filters for damage.
6. Check spray gun, spray wand and nozzle assembly for leaks.
7. Purge pump of air and contaminants.

PRESSURE WASHER MAINTENANCE

Clean Debris

Daily or before use, clean accumulated debris from pressure washer. Keep linkage, spring and controls clean. Keep area around and behind muffler free from any combustible debris. Inspect cooling air fins and openings on the pressure washer. These openings must be kept clean and unobstructed.

Pressure washer parts should be kept clean to reduce the risk of overheating and ignition of accumulated debris.

- After the pressure washer has cooled, use a damp cloth to wipe exterior surfaces clean.

NOTICE

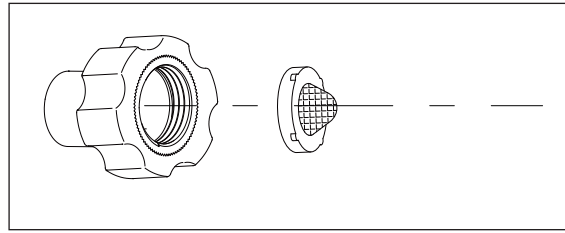
Improper treatment of pressure washer could damage it and shorten its life.

- DO NOT insert any objects through cooling slots.
- Use a soft bristle brush to loosen caked on dirt, oil, etc..
- Use a vacuum cleaner to pick up loose dirt and debris.

MAINTENANCE

Check and Clean Inlet Screen

Examine garden hose inlet screen. Clean if it is clogged or replace if it is torn.



Check High Pressure Hose

High pressure hoses can develop leaks from wear, kinking, or abuse. Inspect hose before each use. Check for cuts, leaks, abrasions, bulging of cover, or damage or movement of couplings. If any of these conditions exist, replace hose immediately. Or call at help or new purchase.

WARNING



The high pressure stream of water that this pressure washer produces could cut through skin and its underlying tissues, resulting in serious injury and possible amputation.

- Never repair a high pressure hose. Replace it.
- Any replacement hose **MUST** equal or exceed the maximum pressure rating of your pressure washer.

Check Detergent Siphoning Tube

Examine the detergent tube and clean if clogged. One end of the tube should fit tightly on the filter, the other end will fit tightly on the pump. Examine the tube for leaks or tears.

Replace detergent tank or tube if either is damaged. Or call at 1-866-902-9690 for help or new purchase.

Check Spray Gun, Spray Wand and Nozzles

Examine hose connection to spray gun connected with spray wand and make sure it is secure. Test trigger by pressing it and make sure it springs back into place when you release it. Engage trigger lock in UP position and test trigger. You should not be able to squeeze the trigger. Replace spray gun immediately if it fails any of these tests.

Purge Pump of Air and Contaminants

To remove air from the pump, follow these steps:

- Set up the pressure washer as described in the "Assembly" section and connect the water supply then turn the hose on.
- Squeeze the trigger on the gun and hold until a steady stream of water appears.

To remove contaminants from the pump, follow these steps:

- Set up the pressure washer as described in the "Assembly" section and connect water supply then turn on the hose.
- Remove the nozzle from the spray wand.

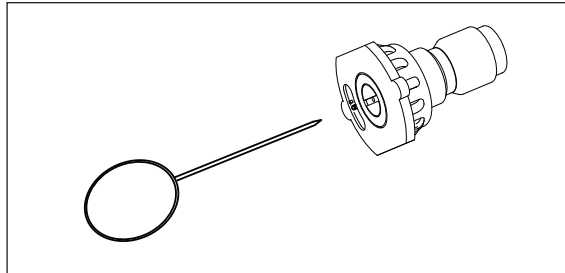
MAINTENANCE

- Start the engine according to instructions in "How To Use Your Pressure Washer" section.
- When the water supply is steady and constant, the contaminants are purged. Engage the trigger lock and install the nozzle.

Nozzle Maintenance

A pulsing sensation felt while squeezing the spray gun trigger may be caused by excessive pump pressure. The principal cause of excessive pump pressure is a nozzle clogged or restricted with foreign materials, such as dirt, etc. To correct the problem, immediately clean the nozzle by needle provided with your pressure washer and follow these instructions:

1. Shut off (O) the engine and turn off the water supply.
2. ALWAYS point spray gun at a safe direction, release trigger lock and squeeze spray gun trigger to release retained high water pressure.
3. After pressure is released, remove the nozzle from the end of the spray wand.
4. Use the needle to free any foreign material clogging or restricting the nozzle.



5. Using a garden hose, remove additional debris by back flushing water through the nozzle.
6. Reinstall the nozzle to the wand with spray gun.
7. Make sure garden hose is connected to water inlet. Check that high pressure hose is connected to spray gun and pump. Turn on water.
8. Start engine following instructions "How to Start Your Pressure Washer".
9. Test if the nozzle is cleaned.

O-Ring Maintenance

Through the normal operation of your pressure washer, o-rings keep the connections of the hoses and spray gun tight and leak-free. They may become worn or damaged with use.

If you need to find replacement o-rings, call the Yard Force help line 1-866-902-9690.

WARNING



The high pressure stream of water that this pressure washer produces could cut through skin and its underlying tissues, resulting in serious injury and possible amputation.

- NEVER repair leaking connections with sealant of any kind. replace o-ring or seal.

ENGINE MAINTENANCE

MAINTENANCE

WARNING



Unintentional sparking could cause fire or electric shock resulting in death or serious injury.

WHEN ADJUSTING OR MAKING REPAIRS TO YOUR PRESSURE WASHER

Disconnect the spark plug wire from the spark plug and place the wire where it cannot contact spark plug.

WHEN TESTING FOR ENGINE SPARK

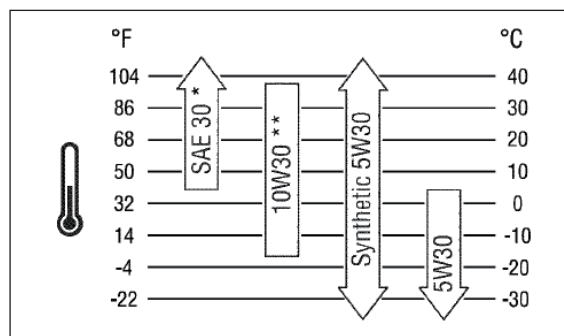
- Use approved spark plug tester.
- DO NOT check for spark with spark plug removed.

Oil

Oil Recommendations

We recommend the use of certified oil for best performance. Other high-quality detergent oils are acceptable if classified for service SF, SG, SH, SJ or higher. DO NOT use special additives.

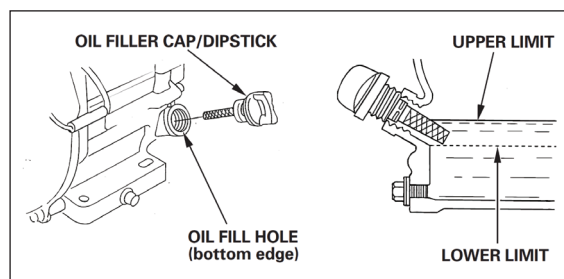
Outdoor temperatures determine the proper oil viscosity for the engine. Use the chart to select the best viscosity for the outdoor temperature range expected.



- Below 40°F (4°C) the use of SAE 30 will result in hard starting.
- Above 80°F (27°C) the use of 10w30 may cause increased oil consumption. Check oil level more frequently.

Checking Oil Level

1. Make sure pressure washer is on a level surface.
2. Remove oil dipstick and wipe dipstick with clean cloth. Replace and tighten dipstick. Remove and check oil level.
3. Verify oil is at FULL mark (top hole) on dipstick. Replace and tighten dipstick.



MAINTENANCE

Changing Oil.

Drain the used oil when the engine is warm. Warm oil drains quickly and completely.

1. Place a suitable container below the engine to catch the used oil, then remove the oil filler cap/dipstick, oil drain plug and washer.
2. Allow the used oil to drain completely, then reinstall the oil drain plug and new washer, and tighten the oil drain plug securely.

Please dispose of used motor oil in a responsible manner. We suggest you take used oil in a sealed container to your local recycling center or service station for reclamation. Do not throw it in the trash, pour it on the ground, or down a drain.

3. With the engine in a level position, fill to the upper limit mark (bottom edge of the oil fill hole) on the dipstick with the recommended oil .

Service Air Cleaner

Your engine will not run properly and may be damaged if you run it with a dirty air cleaner. Service more often if operating under dirty or dusty conditions. Replacements are available at your local Yard Force service center.

To service the air cleaner, follow these steps:



Never run the engine without the air filter element installed:

1. With engine off, loosen the fastener that holds the cover.
2. Open the cover and remove the filter.
3. To loosen debris, gently tap the filter on a hard surface. If the filter is excessively dirty, replace with a new filter.
4. Install the filter.
5. Install the cover tabs into the slots.
6. Close the cover and secure with the fastener.

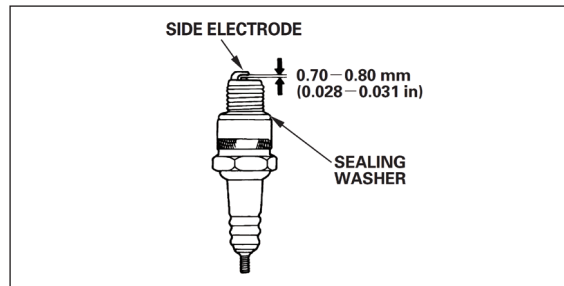
Service Spark Plug

Changing the spark plug will help your engine to start easier and run better. Disconnect spark plug wire from spark plug and keep wire away from spark plug while servicing engine.

1. Clean area around spark plug.
2. Remove and inspect spark plug.
3. Replace spark plug if electrodes are pitted, burned or porcelain is cracked.
4. For replacement use the standard resistor spark plug.
5. Check electrode gap with wire feeler gauge and set gap at 0.70-0.80mm(0.028-0.031in), if necessary.
6. Install spark plug, tighten securely.

NOTE: If you need help to find replacement spark plugs, call the Yard Force help line 1-866-902-9690.

MAINTENANCE



Inspect Muffler and Spark Arrester

Inspect the muffler for cracks, corrosion, or other damage

Remove the spark arrester if equipped, and inspect for damage or carbon blockage. If replacement parts are required, make sure to use only original equipment replacement parts.

NOTICE

If you need help to find replacement spark arrester, call the Yard Force help line 1-866-902-9690.

WARNING



Exhaust heat/gases could ignite combustibles, structures or damage fuel tank causing a fire, resulting in death or serious injury.

Contact with muffler area could cause burns resulting in serious injury.

- DO NOT touch hot parts and AVOID hot exhaust gases.
- Allow equipment to cool before touching,
- Keep at least 5 ft. (1.5 m) of clearance on all sides of pressure washer including overhead.
- Replacement parts must be the same and installed in the same position as the original parts.

Air Cooling System

Over time debris may accumulate in cylinder cooling fins and cannot be observed without partial engine disassembly. For this reason, we recommend you have a qualified Yard Force service dealer clean the cooling system per recommended intervals (see Maintenance Schedule). It is just as important to keep top of engine free from debris. See “Clean Debris”.

Carburetor Adjustment

The carburetor is equipped with a non-adjustable idle mixture valve. Top speed has been set at the factory. If adjustment is required, see an authorized service dealer.

CAUTION!

Excessively high operating speeds could result in minor injury.

Excessively low speeds impose a heavy load.

MAINTENANCE

- DO NOT tamper with governor spring, links or other parts to increase engine speed. Pressure washer supplies correct rated pressure and flow when running at governed speed.
- DO NOT modify pressure washer in any way.

After Each Use

Water should not remain in pressure washer for long periods of time. Sediments or minerals can deposit on pump parts and "freeze" pump action. Follow these procedures after every use:

1. Shut OFF engine, turn off water supply, point gun at a safe direction, release trigger lock and squeeze trigger of spray gun to relieve trapped pressure and let engine cool.

WARNING



The high pressure stream of water that pressure washer produces could cut through skin and its underlying tissues, resulting in serious injury and possible amputation.

Spray gun traps high water pressure, even when engine is stopped and water is disconnected, which could result in serious injury.

Keep high pressure hose connected to pump and spray gun while system is pressurized.

ALWAYS point spray gun in safe direction, release trigger lock and squeeze trigger of spray gun to release high pressure, every time you stop engine.

2. Disconnect hose from spray gun. Drain water from hose, gun, and wand.
3. Flush detergent inlet tube if used.
4. Store the spray gun, wand, nozzles
5. Store the pressure washer in a clean, dry area.
6. If storing for more than 30 days see "Long Term Storage" on next page.

WARNING



Fuel and its vapors are extremely flammable and explosive which could cause burns, fire or explosion resulting in death or serious injury.

WHEN STORING FUEL OR EQUIPMENT WITH FUEL IN TANK

- Store away from furnaces, stoves, water heaters, clothes dryers, or other appliances that have pilot light or other ignition source because they could ignite fuel vapors.

STORAGE

WINTER STORAGE

CAUTION!

You must protect your pressure washer from freezing temperatures.

- Failure to do so will permanently damage your pump and render your unit inoperable.
- Freeze damage is not covered under warranty.

To protect the pressure washer from freezing temperatures:

1. Follow steps 1-6 in the previous section "After Each USE".
2. Use pump saver, to treat pump. This prevents freeze damage and lubricates pistons and seals. Follow directions on pump saver.
3. Store the pressure washer in a clean, dry area.

LONG TERM STORAGE

If you do not plan to use the pressure washer for more than 30 days, you must prepare the engine and pump for long term storage.

It is important to prevent gum deposits from forming in essential fuel system parts such as the carburetor, fuel filter, fuel hose or tank during storage. Also, experience indicates that alcohol-blended fuels (called gasohol, ethanol or methanol) can attract moisture, which leads to separation and formation of acids during storage. Acidic gas can damage the fuel system of an engine while in storage.

Protect Fuel System

Fuel Additive:

Fuel can become stale when stored over 30 days. Stale fuel causes acid and gum deposits to form in the fuel system or on essential carburetor parts. To keep fuel fresh, we recommend use the fuel additive supplied by a qualified Yard Force service dealer.

There is no need to drain gasoline from the engine if a fuel stabilizer is added according to instructions. Run the engine for 2 minutes to circulate the stabilizer throughout the fuel system before storage.

If gasoline in the engine has not been treated with a fuel stabilizer, it must be drained into an approved container. Run the engine until it stops from lack of fuel.

The use of a fuel stabilizer in the storage container is recommended to maintain freshness.

Change Oil

While engine is still warm, drain oil from crankcase. Refill with recommended grade. See "Changing Oil" section.

Protect Pump

To protect the pump from damage caused by mineral deposits or freezing, use Pump Saver, to treat pump. This prevents freeze damage and lubricates pistons and seals.

NOTE Pump Saver is available as an optional accessory. It is not included with the pressure washer.

Contact your local Yard Force service center to purchase Pump Saver.

STORAGE

Other Storage Tips

1. DO NOT store fuel from one season to another unless it has been treated as described in Protect Fuel System.
2. Replace fuel container if it starts to rust. Rust and/ or dirt in fuel can cause problems if it's used with this pressure washer.
3. Cover unit with a suitable protective cover that does not retain moisture.

WARNING

Storage covers could cause a fire resulting in death or serious injury.

- DO NOT place a storage cover over a hot pressurewasher.
 - Let equipment cool for a sufficient time before placing any cover on the equipment.
4. Store pressure washer in a clean and dry area.

TROUBLESHOOTING

Problem	Cause	Correction
Pump has following problems. No pressure, low pressure	<ol style="list-style-type: none"> 1. Nozzle tip not attached. 2. Water inlet is blocked. 3. Inadequate water supply. 4. Inlet hose is kinked or leaking. 5. Clogged inlet hose strainer 6. Water supply is over 100°F. 7. High pressure hose is blocked or leaks. 8. The engine RPM is not set to HIGH 9. Nozzle is obstructed. 10. Damaged pump. 	<ol style="list-style-type: none"> 1. Attached required nozzle tip 2. Clear inlet. 3. Provide adequate water flow. 4. Straighten inlet hose, patch leak. 5. Check and clean inlet hose strainer. 6. Provide cooler water supply. 7. Clear blocks in outlet hose. 8. Set RPM (Throttle lever) to HIGH position. 9. Clean nozzle. 10. Contact Yardforce service facility.
No intake of detergent.	<ol style="list-style-type: none"> 1. Detergent siphoning tube is not connected. 2. Chemical filter is clogged. 3. Dirty in-line filter. 4. Wrong nozzle. 5. Damaged detergent siphoning tube. 6. Detergent is incorrect. 	<ol style="list-style-type: none"> 1. Connect detergent siphon tube. 2. Clean or replace filter/ detergent siphoning tube. 3. Replace filter. 4. Use black nozzle when applying detergent. Refer to the instruction manual. 5. Replace detergent siphoning tube. 6. Clear detergent from siphon line and detergent intake valve. Use only correct detergent meant for pressure washers.
Engine sounds abnormal or overloaded	<ol style="list-style-type: none"> 1. Pressure is too high; 	<ol style="list-style-type: none"> 1. Contact Yardforce service facility.
Engine doesn't start	<ol style="list-style-type: none"> 1. The engine power switch is OFF(O)position. 2. No fuel. 3. Dirty air cleaner. 4. Stale gasoline 5. Spark plug wire not connected to spark plug. 6. Bad spark plug. 7. Low oil level. 8. Clogged carburetor. 9. Excess water pressure in pump or hose. 10. Engine has lost compression. 	<ol style="list-style-type: none"> 1. Ensure the switch is in ON (I) position 2. Fill the fuel tank with regular gasoline. 3. Clean or replace air cleaner. 4. Drain gas tank; fill with fresh fuel 5. Connect wire to spark plug. 6. Replace spark plug. 7. Fill crankcase to proper level. 8. Clean the carburetor. 9. Release water pressure by squeezing trigger on gun. 10. Contact Yard Force service facility.
Engine stops down during operation.	Out of gasoline.	Fill fuel tank.
Engine lacks power.	Dirty air filter.	Replace air filter.
Starter rope doesn't recoil	Recoil mechanism is broken.	Contact Yard Force service facility.

WARRANTY

YARD FORCE TWO YEAR LIMITED WARRANTY

Product Warranty

Please keep your original purchase receipt in a safe place as proof of purchase. Warranty coverage for this product must be verified by the original purchase receipt. The warranty period begins on the day that the product was purchased from an authorized retailer of Yard Force products. Warranty coverage only applies to the original purchaser and is not transferrable. Warranty coverage is only provided on products purchased and used in the USA and Puerto Rico from authorized Yard Force retailers. Products purchased or used outside of the USA and Puerto Rico are not covered by this warranty.

(2) Two-Year Warranty – Pump and Engine

The YF3600-H has a 2-Year Limited Warranty from the date of purchase against manufacturer defects for residential use only. Commercial use voids the warranty. This warranty does not cover accidental damage, unreasonable use, normal wear and tear, neglect or non-compliance with the Operating, Safety and Maintenance Instructions. All service, outside of normal maintenance as described in this manual, must be done by an authorized service technician. Any unauthorized service or changes to the original configuration of this product will void the warranty. All parts and accessories used on and with this product must be manufactured/or and authorized by Merotec Inc.

(90) Ninety-Day Warranty – Accessories

The accessories included with the YF3600-H; including hose, pneumatic tires, trigger handle and wand, and other similar parts are warranted against manufacturer defects for residential use only for a period of 90 days from date of purchase.

Warranty does not cover loss of use or other consequential damages arising from any of the above, nor does it cover repairs made or attempted by unauthorized persons. This warranty is void if the product is used for commercial, rental or industrial purposes. Certain parts, attachments and accessories are subject to normal wear and tear and are excluded from the warranty.

Service and Warranty Claims Process

Contact the Yard Force Support Center toll-free at **(866) 902-9690 Monday-Friday between 8:30 AM and 5:00 PM Eastern Time** for service and warranty support.

Yard Force USA Service Support agents can help you troubleshoot problems over the phone to get you back up and running as quickly as possible. In the situation where service or warranty inspection is needed, please follow these steps:

1. Contact Yard Force USA at **(866)902-9690 Monday-Friday between 8:30 AM and 5:00 PM Eastern Time**.
2. Send in proof-of-purchase and serial number (if applicable) to confirm warranty coverage.
3. If service or a warranty evaluation is requested, Yard Force USA will provide an RGA number that should be used in all communications with Yard Force USA and if necessary a list of local authorized service centers to bring your pressure washer to for evaluation and repair.
4. All shipments to Yard Force USA must have an RGA number. Any shipment received that does not have an RGA number clearly marked on the outside of the box will be refused.
5. All shipments must be sent pre-paid, Yard Force USA does not pay for any shipping costs for service or warranty evaluation. Yard Force USA is not responsible for any packages that are lost by carrier. We recommend that shipments are made by a carrier that provides tracking and delivery confirmation.

For more information or to ask questions, please call toll-free **(866) 902-9690 Monday-Friday between 8:30 AM and 5:00 PM Eastern Time**.

SAVE THESE INSTRUCTIONS



Need Help?

Please do not return the product to your place of purchase yet. We're here to help and take care of all your needs.

Contact our customer service department for help with:

- Product assembly or use
- Missing or damaged parts
- Troubleshooting
- Replacement parts and accessories

You can submit a support request by scanning the QR code on this page, or by visiting:
www.YardForceUSA.com/contact-support

Scan Code to connect with Yard Force Support



1-866-902-9690



www.YardForceUSA.com

Register your product today to maintain warranty coverage and stay up to date with information on the use, care, maintenance and service of your product.

Register online today at:

www.yardforceusa.com/product-registration



Merotec Inc.
3655 Kennesaw North Industrial Parkway
Kennesaw, GA 30144
Copyright © 2024 Merotec Inc.

Part Number: YF3600-HMAN-A
2312