

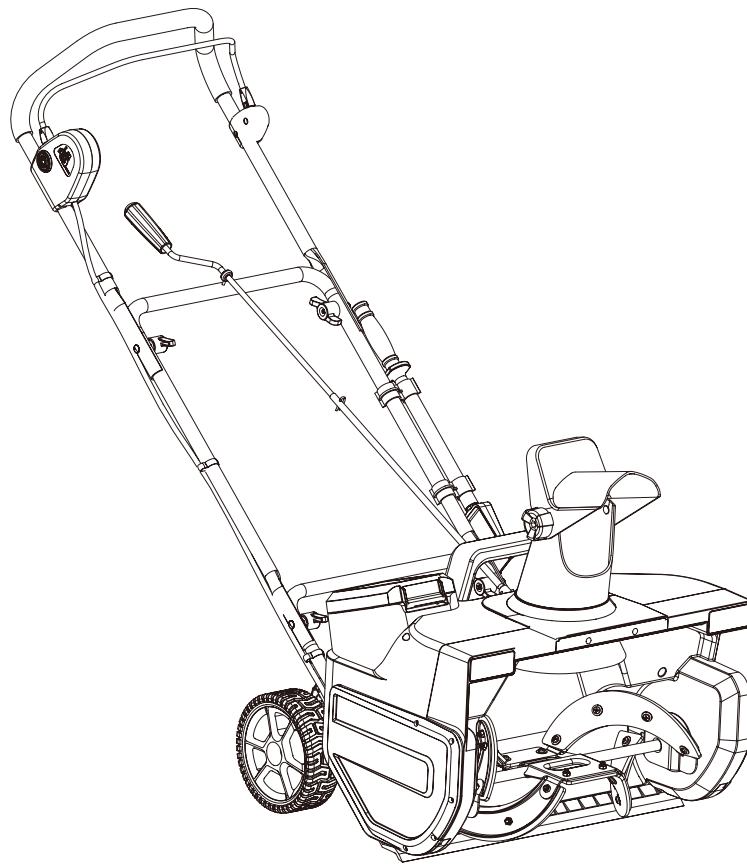


# YARD FORCE®

OUTDOOR POWER EQUIPMENT

YF60VRX22-ST

## 22" CORDLESS SNOW BLOWER OPERATOR'S MANUAL



*Our Customer Service staff is ready to provide assistance.*

*In the case of a damaged or missing part, most replacement parts ship directly from Merotec USA in Atlanta or from one of our service partners in the US.*

*For immediate help with assembly, or for additional product information, email support@MerotecUSA.com or call 866-902-9690 M-F 8:30am – 5:00pm ET. More information can be found on [www.YardForceUSA.com](http://www.YardForceUSA.com).*



### **SAVE THIS MANUAL FOR REFERENCE**

*You will need this manual for safety instructions, operating procedures, and Warranty. The original sales receipt is required for warranty service.*

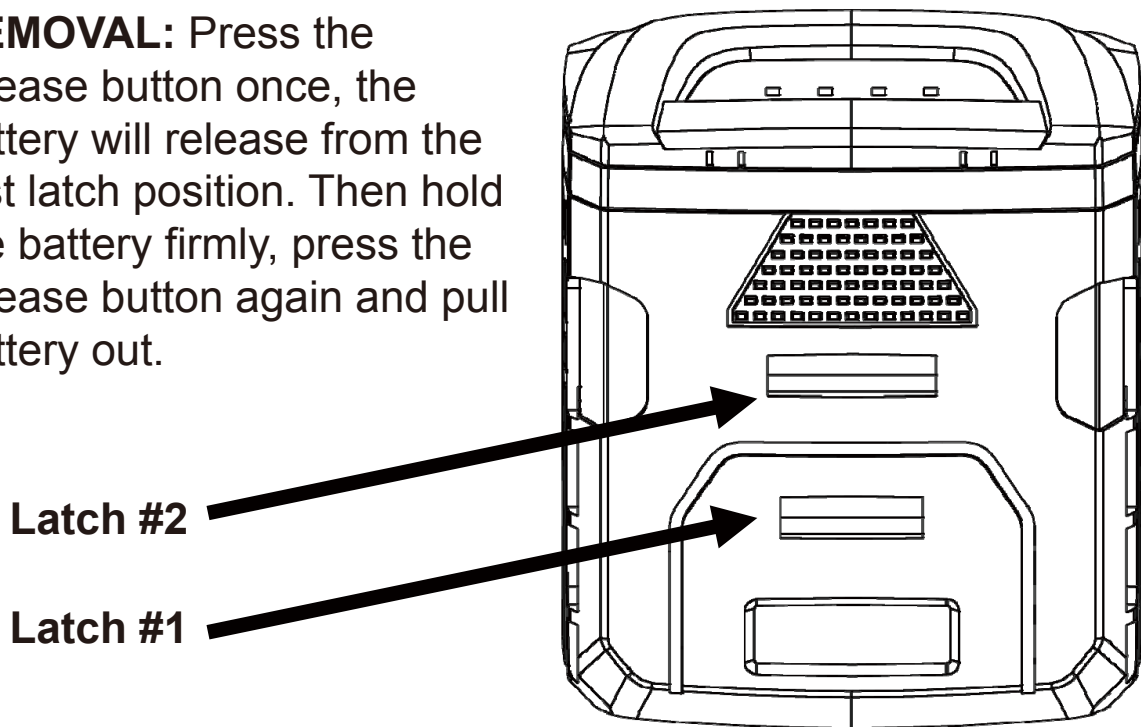


# NOTICE

## This YF60vRX Hand-held Tool has a 2-Step Battery Latch

**INSTALLATION:** The battery latch has 2 positions. Press down firmly until battery is fully inserted. If the battery is not fully inserted and secured in the deepest position #2 the tool will not run.

**REMOVAL:** Press the release button once, the battery will release from the first latch position. Then hold the battery firmly, press the release button again and pull battery out.



**Contact our Customer Care Center in Georgia for help with:**

- Product Assembly or Use
- Missing Parts
- Troubleshooting

866-902-9690 M-F 8:30am – 5:00pm ET

You can also visit the Yard Force USA website to download owner's manuals, get product information and request tech support.

[www.YardForceUSA.com](http://www.YardForceUSA.com)

**TABLE OF CONTENTS**

<b>Product specifications</b> .....	4
<b>General safety instructions</b> .....	4
<b>Safety symbols</b> .....	10
<b>Know your cordless snow blower</b> .....	11
<b>Getting started</b> .....	12
<b>Maintenance and Storage</b> .....	16
<b>Troubleshooting</b> .....	19
<b>Warranty</b> .....	20

**WARNING**

1. For safe operation, read and understand the instruction manual.
2. To reduce the risk of electric shock, do not expose your cordless tool to water or rain.
3. Replace damaged parts immediately.
4. Disconnect and remove the battery pack before servicing.
5. Do not use when children or others are around. Keep safety devices (guards, shields, switches etc.) in place and working.
6. Remove objects that could be thrown by or become entangled in the snowblower.
7. Never direct the snow discharge chute at the operator, at bystanders, at vehicles, or at windows.
8. Use only 60V Li-ion battery YF60VRX4.0-BAT & YF60VRX2.5-BAT and battery charger.
9. Some dust created by power sanding, sawing, grinding, drilling and other construction activities contains chemicals known to the state of California to cause cancer, birth defects or other reproductive harm. Some examples of these chemicals are:
  - Lead from lead - based paints
  - Crystalline silica from bricks and cement and other masonry products, and
  - Arsenic and chromium from chemically -treated lumber.

Your risk from these exposures varies, depending on how often you do this type of work. To reduce your exposure to these chemical: work in a well ventilated area, and work with approved safety equipment, such as those dust masks that are specially designed to filter out microscopic particles. For more information go to [www.P65warnings.ca.gov](http://www.P65warnings.ca.gov).

## PRODUCT SPECIFICATIONS

Motor	Brushless
Battery Voltage Max*	60 V D.C.
Battery Capacity	4.0 Ah
Battery Runtime Max	Working time up to 30 mins. No-load running time up to 45 mins.
Charger Input	100-240 V, 50/60 Hz
Charger Output	63 V D.C. 4 A
Charge Time Max	1 hour
No Load Speed	2500 RPM
Impeller Size	8 in. (20 cm)
Clearing Width	22 in. (56 cm)
Clearing Depth	10 in. (25 cm)
Discharge Distance Max	30 ft (9 m)
Plowing Capacity Max	25 Tons Per Hour
Stages	Single Stage
Type of Snow	Medium Usage
Directional Control	180° Adjustable Chute
LED Light	3 W
Tire size	7 in. (18 cm)
Net Weight	41 lb (18.6 kg)


## GENERAL SAFETY INSTRUCTIONS


Notice the personal safety alert symbol used in this manual to draw your attention to a **WARNING** given along with the particular operating instruction. This means that the operation requires special **ATTENTION**, **CAUTION**, and **AWARENESS**.


- Keep work area clean and well lit – Cluttered, dark areas invite accidents.
- Keep bystanders away – All bystanders and pets should be kept a safe distance away from the work area.
- Dress properly – Do not wear loose clothing or jewelry. They can get caught in moving parts. Protective rubber gloves and non-slip footwear are recommended when working outdoors.
- Use the right product – Do not use this machine for any job except that for which it is intended.
- **CAUTION!** – Exercise caution to avoid slipping or falling. Wear protective footwear

that will protect your feet and improve your footing on slippery surfaces.

- Use safety glasses – Also use safety footwear, snug-fitting clothing, protective gloves, hearing and head protection.
- Do not force the snow blower – Use the snow blower at the rate for which it was designed to ensure optimal performance and safe operation.
- Stay alert – Watch what you are doing. Use common sense. Do not operate the snow blower when you are tired or under the influence of alcohol or drugs.
- Do not overreach – Keep proper footing and balance at all times.
- Store indoors – When not in use, the snow blower should be kept dry and stored out of the reach of children in a high or locked place.
- Maintain snow blower with care – Follow instructions for lubricating and changing accessories.

 **WARNING:** Always disengage the switch lever and remove the battery pack before making any adjustments, inspecting, servicing, changing accessories, cleaning the snow blower, or when any other dangerous conditions are present. Any such operation should be performed after revolving parts inside the snow blower stop completely. Such preventive safety measures reduce the risk of starting the power tool accidentally.


 **WARNING:** When replacing any parts, you must strictly observe the instructions and procedures described in this user manual. Special care should be paid to any rubber parts, since these parts may increase the motor load and decrease its mechanical power if damaged.

 **WARNING:** If you notice that the snow blower is not running properly or hear abnormal sounds from the motor when it is in use, immediately stop the machine, disconnect the battery, and contact your service centre.

- Surfaces – This snow blower is intended for use on paved surfaces. Do not use on gravel, stone or other unpaved surfaces. unless the snow blower is adjusted for such surfaces

according to the instructions given in the operator's manual.

- Moving parts present risks – Keep your face, hair, clothing, hands and feet away from moving parts. All guards and safety attachments must be installed properly before using the unit. Shut off and disconnect the battery before touching any parts other than the handles and switch.
- Avoid unintentional starting – Make sure the safety switch and the switch lever are in the off position before inserting the battery in the unit. Do not carry the snow blower with the safety switch and the switch lever engaged.
- Do not overreach – Maintain proper footing and balance at all times. Place heels firmly on the ground and tightly grasp the handle bar. Watch for uneven surfaces and do not overreach. In case you fall or collide with the snow blower, inspect the unit for any damages or cracks. When stepping backwards, be careful to avoid obstacles beneath your feet or behind you to avoid falling.


 **WARNING:** If the snow blower strikes any object, follow these steps: i) Stop the snow blower. Remove the battery. ii) Inspect for damage. iii) Repair any damage before restarting and operating the snow blower.


## BATTERY & CHARGER SAFETY INSTRUCTIONS


We pay a great deal of attention to the design of every battery pack to ensure that we supply you with batteries that are safe, durable and have a high energy density. The battery cells have a wide range of safety devices. Each individual cell is initially formatted and its electrical characteristic curves are recorded. This data is then used exclusively to be able to assemble the best possible battery packs.

Despite all the safety precautions, caution must be exercised when handling batteries. The following points must be obeyed at all times to ensure safe use. Safe use can only be guaranteed if undamaged cells are used. Incorrect handling of the battery pack can cause cell damage.

**IMPORTANT:** Analyses confirm that incorrect use and poor care of highperformance batteries are the main factors responsible for personal and/or product damage.

 **WARNING:** Read all safety warnings and instructions. Failure to follow the warnings and instructions may result in electric shock, fire and/or serious injury.

 **WARNING:** Use only approved replacement batteries; other batteries may damage the snow blower and cause it to malfunction.

 **CAUTION:** To reduce the risk of injury, charge the 60V lithium-ion battery packs only in their designated 60V lithium-ion charger. Other types of chargers present risk of fire, personal injury and damage. Do not wire a battery pack to a power supply plug or car cigarette lighter. Such misuse will permanently disable or damage the battery pack.

- Avoid dangerous environments – Do not charge the battery pack in rain, snow or in damp or wet locations. Do not use the battery pack or charger in the presence of explosive atmospheres (gaseous fumes, dust or flammable materials) because sparks may be generated when inserting or removing the battery pack, which could lead to a fire.
- Charge in a well-ventilated area – Do not block the charger vents. Keep them clear to allow for proper ventilation. Do not allow smoking or open flames near a charging battery pack. Vented gases may explode. NOTE: The safe temperature range for the battery is -4°F to 113°F (-20° C to 45° C). Do not charge the battery outside in freezing weather; charge it at room temperature.
- Maintain charger cord – When unplugging the charger, pull the plug, not the cord, from the receptacle to reduce the risk of damage to the electrical plug and cord. Never carry the charger by its cord or yank it by the cord to disconnect it from the receptacle. Keep the cord away from heat, oil and sharp edges. Make sure the cord will not be stepped on, tripped over or subjected to damage or stress when the charger is in use. Do not use the charger with a damaged cord or plug. Replace a damaged charger immediately.
- Do not use an extension cord unless it is absolutely necessary – Using the wrong cord, damages or improperly wired extension cord poses a risk of fire and electric shock. If an extension cord must be used, plug the charger into a properly wired 16 gauge or



larger extension cord with the female plug matching the male plug on the charger. Make sure that the extension cord is in good electrical condition.

- Charger is rated for 120 volt AC only – The charger must be plugged into an appropriate receptacle.
- Use only recommended attachments – Use of an attachment not recommended or sold by the battery charger or battery pack manufacturer may result in risk of fire, electric shock or personal injury.
- Unplug charger when not in use – Make sure to remove battery packs from unplugged chargers.



**WARNING:** To reduce the risk of electric shock, always unplug the charger before performing any cleaning or maintenance. Do not allow water to flow into the charger. Use a Ground Fault Circuit Interrupter (GFCI) to reduce shock hazards.

- Do not burn or incinerate battery packs – Battery packs may explode, causing personal injury or damage. Toxic fumes and materials are created when battery packs are burned.
- Do not crush, drop or damage battery packs – Do not use the battery pack or charger if they have sustained a sharp blow, been dropped, run over or have been damaged in any way (i.e. pierced with a nail, hit with a hammer, stepped on, etc.).
- Disconnect the battery pack from the tool before making any adjustments, changing accessories, or storing tool – Such preventive safety measures reduce the risk of starting the tool accidentally.
- Avoid unintentional starting – Make sure the safety switch and the switch lever are in the off position before inserting the battery in the unit. Do not carry the snow blower with the safety switch and the ON/OFF trigger engaged.
- When battery pack is not in use, keep it away from other metal objects – like paper clips, coins, keys, nails, screws or other small metal objects that can make a connection from one terminal to another. Shorting the battery terminals together may cause burns or a fire.
- Under abusive conditions, liquid may be ejected from the battery; avoid contact – If contact accidentally occurs, flush with water.

If liquid contacts eyes, additionally seek medical help. Liquid ejected from the battery may cause irritation or burns.

- Do not use a battery pack or tool that is damaged or modified – Damaged or modified batteries may exhibit unpredictable behaviour resulting in fire, explosion or risk of injury.
- Do not expose a battery pack or tool to fire or excessive temperature – Exposure to fire or temperature above 130°C (265°F) may cause explosion.
- Follow all charging instructions and do not charge the battery pack or tool outside of the temperature range specified in the instructions – Charging improperly or at temperatures outside of the specified range may damage the battery and increase the risk of fire.
- Have servicing performed by a qualified repair person using only identical replacement parts – This will ensure that the safety of the product is maintained.
- Do not modify or attempt to repair the tool or the battery pack – (as applicable) except as indicated in the instructions for use and care.
- Do not disassemble – Incorrect reassembly may pose a serious risk of electric shock, fire or exposure to toxic battery chemicals. If the battery or charger are damaged, please contact customer service center at 866-902-9690.
- Battery chemicals cause serious burns – Never let a damaged battery pack contact the skin, eyes or mouth. If a damaged battery pack leaks battery chemicals, use rubber or neoprene gloves to safely dispose of it. If skin is exposed to battery fluids, wash the affected area with soap and water and rinse with vinegar. If eyes are exposed to battery chemicals, immediately flush with water for 20 minutes and seek medical attention. Remove and dispose of contaminated clothing.
- Store your battery pack and charger in a cool, dry place – Do not store the battery pack or charger where temperatures may exceed 104°F (40°C), such as in direct sunlight or inside a vehicle or metal building during the summer.

#### **INFORMATION ABOUT THE BATTERY**

1. The battery packs supplied with your cordless snow blower are only partially charged. The battery packs have to be charged completely

- before you use the tool for the first time.
- For optimum battery performance, avoid low discharge cycles by charging the battery pack frequently.
  - Store the battery pack in a cool place, ideally at 59°F (15°C) and charged fully.
  - Lithium-ion batteries are subject to a natural aging process. The battery pack must be replaced at the latest when its capacity falls to just 80% of its capacity when new. Weakened cells in an aged battery pack are no longer capable of meeting the high power requirements needed for the proper operation of your snow blower, and therefore pose a safety risk.
  - Do not throw battery packs into an open fire as this poses a risk of explosion.
  - Do not ignite the battery pack or expose it to fire.
  - Do not exhaustively discharge batteries. Exhaustive discharge will damage the battery cells. The most common cause of exhaustive discharge is lengthy storage or non-use of partially discharged batteries. Stop working as soon as the performance of the battery falls noticeably or the electronic protection system triggers. Place the battery pack in storage only after it has been fully charged.
  - Protect the battery and the tool from overloads. Overloads will quickly result in overheating and cell damage inside the battery housing even if this overheating is not apparent externally.
  - Avoid damage and shocks. Immediately replace batteries that have been dropped from a height of more than one meter or those that have been exposed to violent shocks, even if the housing of the battery pack appears to be undamaged. The battery cells inside the battery may have suffered serious damage. In such instances, please read the waste disposal information for proper battery disposal.
  - If the battery pack suffers overloading and overheating, the integrated protective cutoff will switch off the equipment for safety reasons. If this situation happens, stop the tool and let the battery cool down for a few minutes before restarting. **IMPORTANT!** Do not press the ON/OFF trigger any more if the protective cut-off has been activated. This may damage the battery pack.

- Use only original battery packs. The use of other batteries poses a fire risk and may result in injuries or an explosion.

#### **INFORMATION ABOUT THE CHARGER AND THE CHARGING PROCESS**

- Please check the data marked on the rating plate of the battery charger. Be sure to connect the battery charger to a power supply with the voltage marked on the rating plate. Never connect it to a different mains voltage.
- Protect the battery charger and its cord from damage. Keep the charger and its cord away from heat, oil and sharp edges. Have damaged cords repaired without delay by a qualified technician or call the customer service center at 866-902-9690.
- Electrical plugs must match the outlet. Never modify the plug in any way. Do not use any adapter plugs with grounded tools. unmodified plugs and matching outlets will reduce the risk of electric shock.
- Keep the battery charger, battery pack(s) and the cordless tool out of the reach of children.
- Do not use the supplied battery charger to charge other cordless tools.
- During periods of heavy use, the battery pack will become warm. Allow the battery pack to cool to room temperature before inserting it into the charger to recharge.
- Do not overcharge batteries. Do not exceed the maximum charging times. These charging times only apply to discharged batteries. Frequent insertion of a charged or partially charged battery pack will result in overcharging and cell damage. Do not leave batteries in the charger for days on end.
- Never use or charge batteries if you suspect that it has been more than 12 months since the last time they were charged. There is a high probability that the battery pack has already suffered dangerous damage (exhaustive discharge).
- Charging batteries at a temperature below 41°F (5°C) will cause chemical damage to the cells and may cause a fire.
- Do not use batteries that have been exposed to heat during the charging process, as the battery cells may have suffered dangerous damage.
- Do not use batteries that have suffered curvature or deformation during the charging

process or those that exhibit other atypical symptoms (gassing, hissing, cracking, etc.)

12. Never fully discharge the battery pack (maximum recommended depth of discharge is 80%) A complete discharge of the battery pack will lead to premature aging of the battery cells.

### **PROTECTION FROM ENVIRONMENTAL INFLUENCES**

1. Wear suitable work clothes. Wear safety goggles.
2. Protect your cordless tool and the battery charger from moisture and rain. Moisture and rain can cause dangerous cell damage.
3. Do not use the cordless tool or the battery charger near vapors and flammable liquids.
4. Use the battery charger and cordless tools only in dry conditions and at an ambient temperature of 50°F - 104°F (10°C - 40°C).
5. Do not keep the battery charger in places where the temperature may reach over 105°F (40.5°C). In particular, do not leave the battery charger in a car that is parked in the sunshine.
6. Protect batteries from overheating. Overloads, overcharging and exposure to direct sunlight will result in overheating and cell damage. Never charge or work with batteries that have been overheated – replace them immediately, if possible.
7. Store the charger and your cordless tool only in dry locations with an ambient temperature of 50°F to 104°F (10°C to 40°C). Store your lithium-ion battery pack in a cool, dry place at a temperature of 50°F to 68°F (10°C to 20°C). Protect the battery pack, charger and cordless tool from humidity and direct sunlight. Only place fully charged batteries in storage.
8. Prevent the lithium-ion battery pack from freezing. Battery packs that were stored below 32°F (0°C) for more than 60 minutes must be discarded.
9. When handling batteries, be wary of electrostatic charge. Electrostatic discharges can damage the electronic protection system and the battery cells. Avoid electrostatic charging and never touch the battery poles.

### **ADDITIONAL SAFETY INSTRUCTIONS**

#### **SAFETY INSTRUCTIONS FOR WALK-BEHIND SNOW BLOWERS**

- Read the operator's manual carefully – Learn your snow blower's applications and limitations as well as the specific potential hazards related to this machine. Do not use this machine for any purpose other than the one for which it was designed. Failure to adhere to these precautions may cause mechanical defaults, serious damage, or personal injury.
- Preliminary unit inspection – Thoroughly inspect the unit before use. Make sure all the parts are secure and installed correctly. If you notice any abnormalities, do not use the machine until it has been properly repaired. Always perform a test run the first time you use the snow blower or after replacing parts to ensure that the unit is functioning properly.
- Preliminary area inspection – Clear the area to be plowed before each use. Remove all objects such as rocks, broken glass, nails, wire, or string, which can be thrown by or become entangled in the snow blower. Keep the area of operation clear of all people, children, and pets.
- Excessive force – The snow blower was designed to respond at a certain rate for various snow conditions for optimal safety and performance. Do not force it; keep the applied pressure constant throughout its operation.
- Malfunctioning switch – Do not use the snow blower if the switch does not turn it on and off. Any tool that cannot be controlled by the switch is not safe to use and must be repaired.
- Hitting an object – If the snow blower accidentally strikes an object, first stop the snow blower and remove the battery; next, inspect for damage; finally repair or replace any damaged part before restarting and operating the snow blower.
- Discharge chute safety – Never direct the snow discharge chute at the operator, at bystanders, at vehicles, or at windows. The discharged snow, which may contain foreign objects accidentally picked up by the snow blower, can cause serious damage and personal injury. Do not use your hands to unclog the discharge chute. Stop the motor before removing debris.



- Hand-held operating position – Operation of the snow blower in the hand-held position is unsafe.
- Abnormal operation – If you find that the snow blower is not running properly or hear abnormal sounds or feel abnormal vibrations from the motor, immediately stop the machine, remove the battery, and contact the customer service center at 866-902-9690 for assistance.
- Noise control – When using the snow blower, respect the local laws and regulations regarding noise control and environmental protection. To avoid noise disturbance, you should carefully decide upon an appropriate operation time and consider the surrounding conditions.
- When work is completed – Remove the battery pack from the snow blower when not in use, when changing accessories, and before performing any maintenance task.
- Store safely – Store the snow blower indoors in a dry area between uses. Keep in a locked area, where children and unauthorized users cannot gain access. Never store the snow blower with the battery pack installed. It may cause damage and injury.
- Maintain for safety and longevity – Check for misalignment or binding of moving parts, breakage of parts, and any other conditions that may affect the unit's operation. If damaged, repair or replace the damaged part before use. Use only those replacement parts made for your model. When replacing any parts, you must strictly observe the instructions and procedures described in this manual. Special care should be paid to any rubber parts, since these parts may increase the motor load and decrease its mechanical power if damaged.
- Rotating parts – Do not put hands or feet near or under rotating parts. Keep clear of the discharge opening at all times.
- Hidden hazards – Exercise extreme caution when operating on or crossing gravel drives, walks or roads. Stay alert for hidden hazards or traffic.
- Exercise extreme caution when operating on slopes. Never operate the machine at high transport speeds on slippery surfaces. Look behind and use care when operating in reverse.
- Never operate the snow thrower without good visibility or light. Always be sure of your footing, and keep a firm hold on the handles. Walk; never run.
- Do not overload the machine capacity by attempting to clear snow at too fast a rate.
- Never allow children to operate the equipment. Never allow adults to operate the equipment without proper instruction.
- Adjust the collector housing height to clear gravel or crushed rock surface.
- Always wear safety glasses or eye shields during operation or while performing an adjustment or repair to protect eyes from foreign objects that may be thrown from the machine.

### **CLEARING A CLOGGED DISCHARGE CHUTE**

Hand contact with the rotating impeller inside the discharge chute is the most common cause of injury associated with snow throwers. Never use your hand to clean out the discharge chute.














**TO CLEAR THE CHUTE:** i) SHUT THE MOTOR OFF! ii) Wait 10 seconds to be sure the impeller blades have stopped rotating. iii) Always use a clean-out tool, not your hands.




### **ELECTRICAL SAFETY**

Avoid accidental starting – Make sure the safety switch and the ON/OFF trigger is in the OFF position before inserting the battery pack into the unit. Do not carry the snow blower with the safety switch and ON/OFF trigger engaged.

## SAFETY SYMBOLS

The following table depicts and describes safety symbols that may appear on this product. Read, understand and follow all instructions on the machine before attempting to assemble and operate.

	SAFETY ALERT – Indicates a precaution, a warning or a danger.
	READ THE OPERATOR'S MANUAL(S) – Read, understand and follow all instructions in the user manual(s) before attempting to assemble and operate.
	Wear hearing protection.
	Wear eye protection.
	Wear breathing protection.
	Keep hands, feet and clothing away from the rotating auger to avoid injury.
	Wear protective gloves and non-slip footwear when using the machine and handling debris.
	Do not use hands to unclog chute.
	WARNING! Always turn the machine OFF and remove the safety key before conducting inspection, cleaning and maintenance.
	WARNING! Do not expose the unit to rain or wet conditions. Keep dry.
	DANGER! Cutting/ dismemberment hazard - Keep feet away from the rotating auger.
	CAUTION! Beware of stones and other foreign objects that could be thrown from the tool.
 <b>STOP</b>	The rotating part will continuously run for several seconds after you turn off the machine.

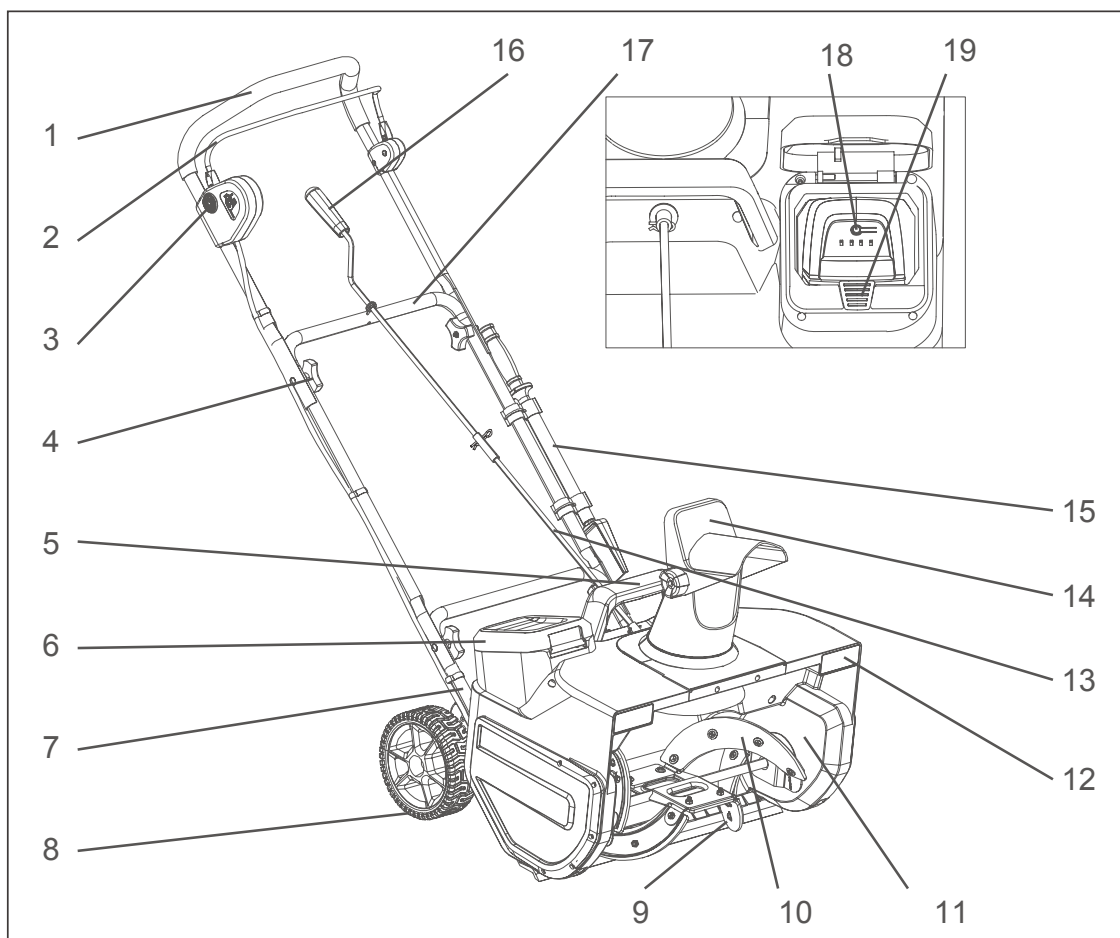
	Keep bystanders and children a safe distance (at least 33 ft/10 m) away from the work area.
	DANGER! Cutting/ dismemberment hazard – Keep hands away from the rotating auger. Do not use hands to unclog rotor housing. Stop motor before removing debris.
	Protective 5A limited

## KNOW YOUR CORDLESS SNOW BLOWER

Read the owner's manual and safety rules carefully before operating your cordless snow blower. Compare the illustration below the actual unit in order to familiarize yourself with the location of the various controls and adjustments. Save this manual for future reference.

### FUNCTIONS

1. Handle Bar
2. Control Bar
3. Safety Switch Button
4. Joint Fixing Bolt & Knob (4 Pieces)
5. Carrying / Lifting Handle (For Transport Only)
6. Battery Housing Cover
7. Lower Frame
8. Wheel
9. Shave Plate
10. Paddle
11. Main Cover
12. Led Light
13. Lower Chute Crank
14. Discharge Chute
15. Chute Clean-Out Tool
16. Upper Chute Crank
17. Middle Frame
18. Battery
19. Battery Release Button

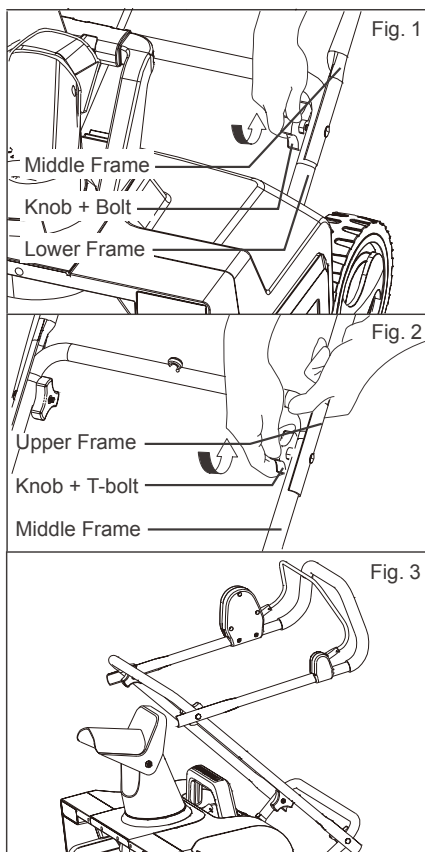


## GETTING STARTED

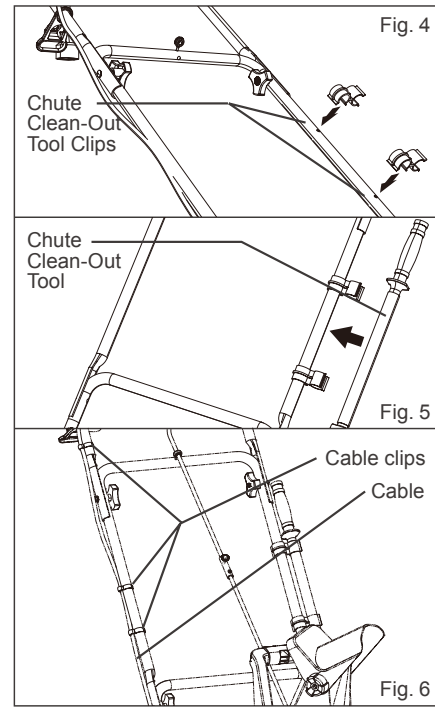
1. Remove the snowblower and all other items from the box.
2. Determine the left and right hand side of the snowblower by standing in the normal operating position.
3. Check all items for shipping damage. If damage is found or suspected or if any of the parts are missing, do not assemble. Instead, promptly inform the dealer where you bought the snowblower or contact at 866-902-9690 for assistance.
4. Check to make sure the upper chute crank is included.

## ASSEMBLING THE HANDLE

1. Secure the connection of the middle frame to the lower frame by and knobs on each fastening the first set of joint fixing T-bolts and knobs on each side (Fig. 1).
2. Secure the connection of the upper frame to the middle frame by fastening the second set knobs and bolts on each side (Fig. 2).
3. To complete the handle assembly, simply pull the middle frame back and pull the upper frame up for easy storage (Fig. 3).

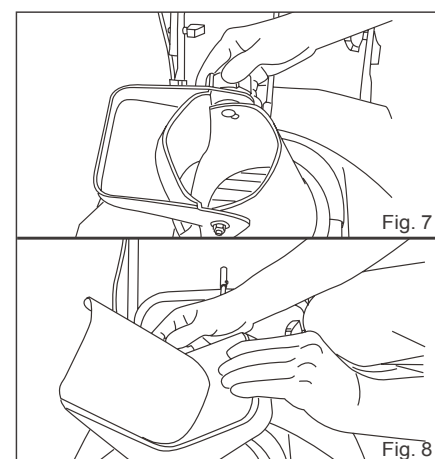


4. Clip the 2 chute clean-out tool clips on the side of the middle frame, and insert the chute clean-out tool in the clips (Fig. 4-5).
5. Clip on the 2 cable clips on the frame, and insert the cable inside of the cable clips (Fig. 6).

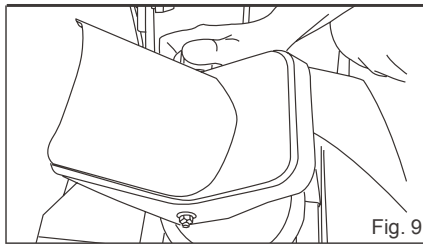


## DISCHARGE CHUTE ASSEMBLY

1. Loosen the knob to lift the chute deflector (Fig.7).
2. Lift the chute deflector and lock it securely onto the discharge chute (Fig.8).

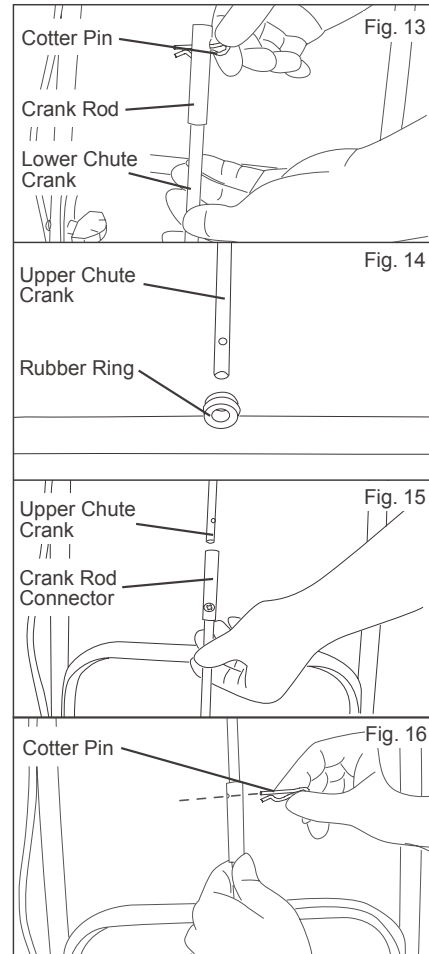
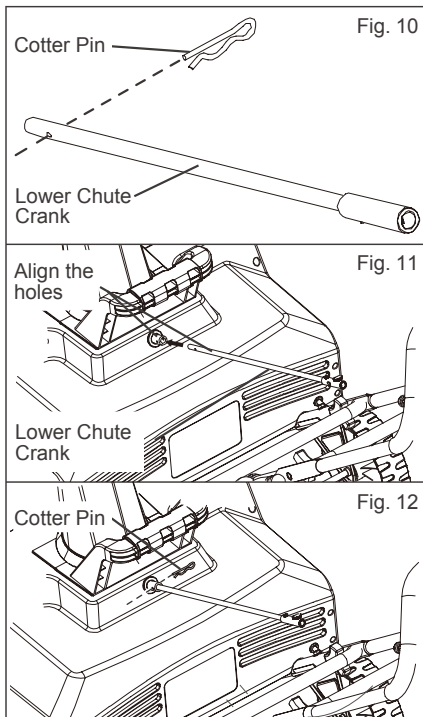


3. Raise or lower the chute deflector to the desired height of the snow stream and tighten the knob (Fig.9).  
NOTE! Do not overtighten the knob.



**CHUTE CRANK ASSEMBLY**

1. Remove the cotter pin from the lower chute crank (Fig.10).
2. Install the lower crank rod by inserting it into the opening at the back of the housing with holes aligned (Fig.11).
3. Secure the lower chute crank in place with the cotter pin (Fig.12).



4. Remove the cotter pin on the crank rod connector by hand (Fig.13).
5. Slide the upper chute crank through the rubber ring located on the middle frame (Fig.14).
6. Slide the upper chute crank into the crank rod connector (Fig.15).
7. Align the holes and insert the cotter pin by hand (Fig.16).

**NOTE:** Before using this machine, make sure that the power source you will use complies with the specifications detailed in this manual. Before inserting the battery to start, verify that the snowblower's roll shaft and rubber plates are firmly secured with screws, and that the rubber plates are facing the correct direction. Perform a test run to ensure that the motor turns freely.



### CHARGING THE BATTERY PACK

**NOTE:** Remove the battery pack from the charger after it has been fully charged.

**NOTE:** Battery should be fully charged before first use.

**NOTE:** Make sure the mains voltage is the same as the rating label which is located on the charger.

1. Connect the charger to a power supply. The red LED will light up.
2. To insert the battery pack into the charger, align the raised ribs of the battery pack with the grooves of the charger then push it in (Fig.17).
3. The green LED light of the charger will flash continuously during normal charging.
4. After charging is complete, the charger light will turn to a solid green light.

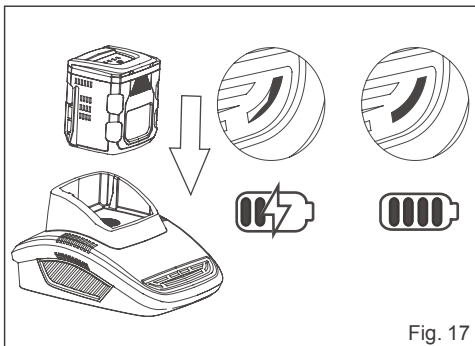


Fig. 17

### POWER INDICATOR (Fig.18)

This Li-Ion battery pack is equipped with a power indicator which is used to show the battery packs remaining charge. Press the power indicator button to check battery charge. The LEDs will stay lit for approximately 4 seconds.

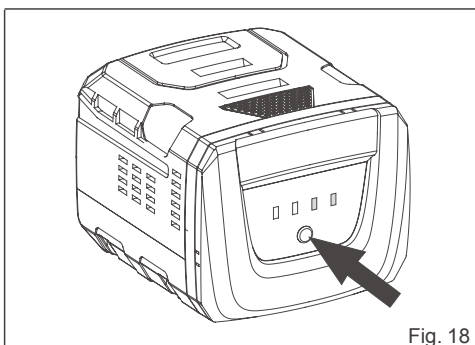


Fig. 18

### To obtain the best life from the battery

#### NOTE:

1. Never allow the battery to completely discharge before recharging. The battery pack should be placed on the charger whenever the battery pack is noticeably running down or the tool no longer performs a task as it previously performed.
2. Avoid conducting short charges. Make sure that the battery is fully charged each time by allowing the charger to complete its full charging cycle.
3. Avoid allowing loose items like screws or nails etc. to be stored with battery packs as these or similar items can short battery packs' life and cause a fire or explosion.
4. Always unplug the charger when not in use and store in a dry and secure place.
5. Avoid charging or storing your battery in temperatures below 41°F(5°C) and above 113°F(45°C).
6. After use, allow the battery pack to cool down for approximately 30 minutes before attempting to recharge.

### STARTING AND STOPPING

1. Open the battery housing cover and slide battery down until it clicks to lock it into position, then close the battery chamber cover (Fig.19).

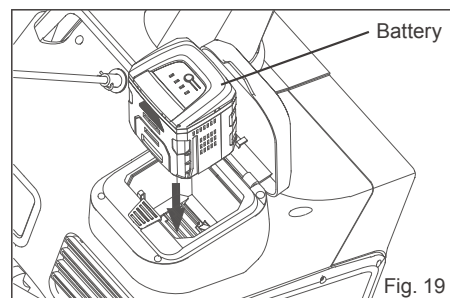


Fig. 19

### POWERING ON AND OFF

1. To power on, depress and hold the safety switch button found alongside the switch housing (Fig. 20).

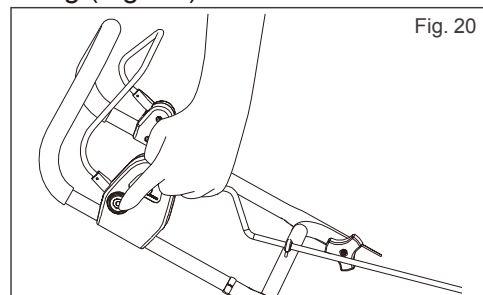
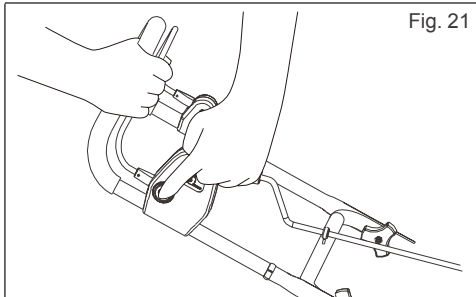


Fig. 20

2. While depressing the safety switch button, pull the ON/OFF control bar toward you. Once the machine powers on, release the safety switch button and begin operation (Fig. 21). The machine can only be started by depressing the safety switch button first, followed by squeezing the ON/OFF control bar; reverse operation will not start the machine.



3. To power off, release your grip on the ON/OFF control bar.
4. The LED light can be used to illuminate the area in front of the snowblower. With the battery completely inserted into the tool, the LED light will activate when the paddle starts. The LED light will stay on for 30 seconds after the paddle is stopped.

### MOVING THE MACHINE & PLOWING THE SNOW

**WARNING:** Foreign objects, such as rocks, broken glass, nails, wire, or string, can be picked up and thrown by the snowblower, causing serious personal injury. Remove all foreign objects from the area to be plowed before operating the snowblower.

1. Keep the area of operation free of foreign objects that can become thrown by the rotating paddle. Perform a thorough inspection of the area since some objects may be hidden from view by surrounding snow. If the snowblower hits an obstruction or picks up a foreign object during use, stop the snowblower, remove the battery, remove the obstruction, and inspect the unit for damage. Repair or replace any damaged part before restarting and operating the unit.
2. Keep children, pets, and bystanders away from the area of operation. Be aware that the normal noise of the machine when turned on may make it difficult for you to hear approaching people.
3. When moving the snowblower, use the wheels on one side as the pivot point. Slightly tilt the

4. snowblower on this pivot point to move it forward or backward.
4. Set discharge chute to face away from the area you are clearing. Make sure to overlap clearing paths.
5. Note the wind direction. If possible, move in the same direction as the wind so that the snow is not thrown against the wind (and then back into your face or onto a cleared area).
6. Do not push the snowblower with excessive force. You should push the machine gently and evenly in accordance with the unit's throw rate.
7. Do not apply additional man-made load to the motor since this may cause damage.
8. Some parts of the snowblower may freeze under extreme temperature conditions. Do not attempt to operate the snowblower with frozen parts. If the parts freeze while the snowblower is in use, stop the snowblower, remove the battery, and inspect for frozen parts. Free all parts before restarting or operating the snowblower. Never force controls that have frozen.
9. When working on pebbles, gravel, or unpaved surfaces, avoid throwing loose surface material along with the snow by pushing down on the handle to raise the shave plate at the base of the unit above the pebbles or gravel.

## CHANGING THROW DIRECTION AND THROW HEIGHT

- The discharge chute can be adjusted 180 degrees by rotating the chute crank. Rotate the chute control crank clockwise to move the discharge chute to the left (Fig. 22) and counter-clockwise to move the chute to the right (Fig. 23).

**NOTE:** A little lubricant, will provide a smoother operation of the chute (spray at points A and B as indicated in Fig. 22).

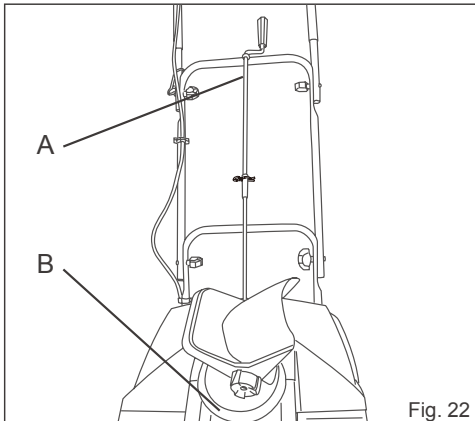


Fig. 22

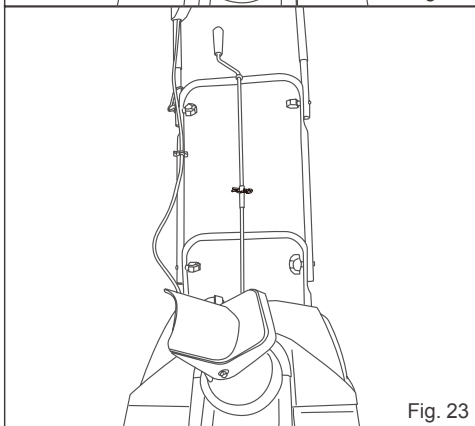


Fig. 23

- The chute deflector on the top of the discharge chute controls the height of the snow stream. Loosen the knob to raise or lower desired height of snow you wish to throw. Tighten the knob to secure the detector (Fig. 24).

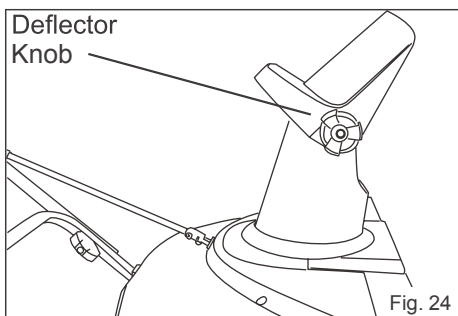


Fig. 24

**WARNING:** Never direct the snow discharge chute at the operator, at bystanders, at vehicles, or at nearby windows. The discharged snow and foreign objects accidentally picked up by the snowblower can cause serious damage and personal injury. Always orient the discharge chute in the opposite direction from where you, bystanders, surrounding vehicles, or windows are located.

**WARNING:** Make sure that the chute deflector snaps and locks completely onto the discharge chute. An opening between the discharge chute and the chute deflector may allow foreign objects to be picked up by the snowblower and thrown in the direction of the operator causing serious boldly injury. Do not advance the chute deflector too far forward causing an opening to appear between the deflector and discharge chute. Do not over tighten the knobs on the chute deflector (Fig. 24).

## MAINTENANCE AND STORAGE SERVICING

Service should be performed by a qualified technician. Use only genuine Yard Force parts for repair or replacement. If repairs are necessary, contact our toll-free helpline at 866-902-9690

### STORAGE

- Allow the machine to cool completely before cleaning, storing, or transporting the snowblower. Be sure to secure the unit while transporting.
- Run the snow thrower for a few minutes in order to melt any snow that may be left on the snowblower.
- Wipe the snowblower off with a dry cloth before storage. This will help prevent ice building up on the unit and parts freezing.
- Inspect the snowblower thoroughly for worn, loose, or damaged parts. If any parts must be repaired or replaced, contact the toll-free helpline at 866-902-9690.
- Store the snowblower in a clean, dry place. Cover it in order to provide added protection.

**NOTE:** Identify the left and right sides of the snow thrower when standing in the normal operating position.

## LIFETIME LUBRICATION (MOTOR AND PADDLE)

Lubrication is not necessary and may damage the unit. The snowblower is lubricated for lifetime use at the factory before shipment.

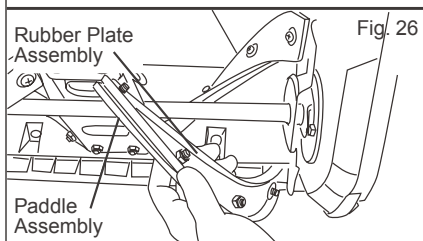
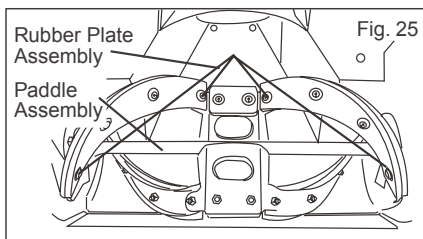
## GENERAL MAINTENANCE TIPS

1. Do not attempt to repair the machine unless you have the proper tools and instructions for disassembly and repair of the machine.
2. Check bolts and screws at frequent intervals for proper tightness to ensure that the equipment is in safe working condition.
3. After each snow removal session, run the snowblower for a few minutes to prevent the collector/paddle from freezing. Shut off the motor, wait for all revolving parts to stop completely, and wipe residual ice and snow off the unit. Rotate the chute crank several times to remove any excess snow.

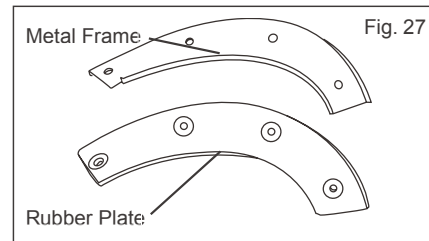
## REPLACING THE RUBBER PLATES

**NOTE:** When replacing worn rubber plates, pay close attention to carefully distinguish between the coarse and smooth side of the plates. Place the coarse side inside and the smooth side outside.

1. Detach the worn rubber plate assembly by removing the two sets of nuts and bolts used to secure it to the paddle assembly (Figs. 25-26).



2. Loosen the middle two sets of nuts and bolts to detach the worn rubber plate from the metal frame (Fig. 27).
3. Attach the new rubber plate onto the metal frame by replacing and tightening the middle two sets of nuts and bolts (Fig. 27).

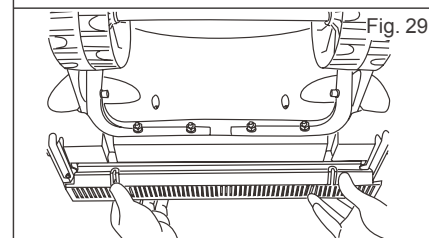
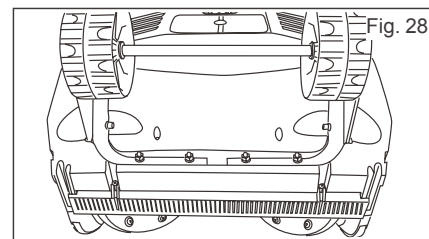


4. Reassemble the rubber plate assembly to the paddle assembly by replacing and tightening the two sets of nuts and bolts used to secure it.

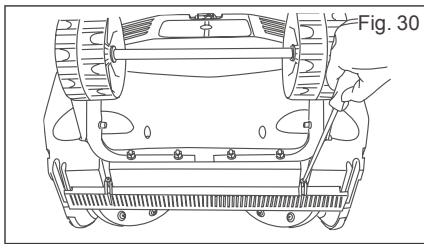
**WARNING:** Make sure to turn off the switch and disconnect the battery with machine before performing any maintenance task on your snowblower.

## REPLACING THE SCRAPER BAR

1. The scraper bar is located at the base of the snowblower beneath the rotor housing (Fig. 28).
2. Detach the worn scraper bar from the snowblower by removing the two screws that hold it in place (Fig. 29).



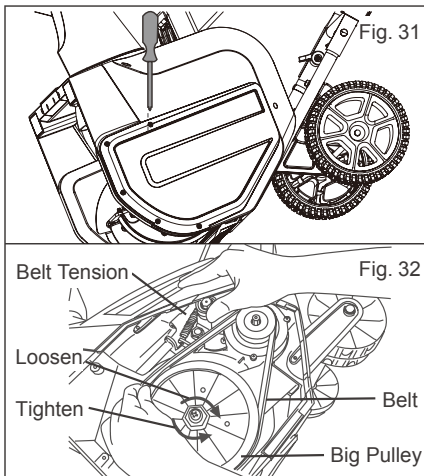
3. Install the new scraper bar and fasten it securely to the snowblower with the two screws (Fig. 30).



### REPLACING THE BELT AND PULLEY

**NOTE:** Determine the left and right hand side of the snowblower by standing behind the unit in the normal operating position.

1. Remove the screws from the left panel of the snowblower and remove the left panel (Fig.31).
2. Lift the belt tension pulley and roll the worn belt up and off the big pulley from the top of the big pulley (Fig. 32).



3. To replace the big pulley, remove the screw and washer from the middle of the pulley. While securing the paddle, so it does not spin, use a 7/8-inch socket to turn the outer nut of the pulley clockwise (the pulley is left-handed, so loosening and tightening occur in reverse orientation; clockwise to loosen and counter-clockwise to tighten). Once the old pulley is removed, replace the big pulley and tighten the outer nut counter clockwise with the 7/8-inch socket. Replace and tighten the screw and washer (Fig. 32).

**NOTE:** Heavy wet snow puts a load on belts, thus requiring more frequent belt replacement.

4. To install the new belt, lift the belt tension and roll the new belt onto the little pulley at an angle. Then roll the belt onto the top of big pulley by rotating the big pulley counterclockwise as the belt grips the top of the big pulley (Fig. 32).
5. Replace the left panel of the snow blower with all screws (Fig. 31).

### AUTOMATIC RESET

This snowblower has built - in automatic reset functions. In the event of a major obstruction that halts paddle movement, simply remove the battery, clear the paddle obstruction, wait 60 seconds, and then resume use of your machine.



**TROUBLESHOOTING**

<b>PROBLEM</b>	<b>POSSIBLE CAUSE</b>	<b>SOLUTION</b>
The handle is not in position.	The bolts are not properly seated.	Make sure the bolts are correctly installed through the handle bars. Check to see if the hand knobs are tight. Refer to Assembling the Handle, page 12.
The snowblower does not start.	The switch is defective. Battery is out of power.	Have the switch replaced by an authorized service centre. Charge the battery.
The motor is on, but the impeller does not turn.	The belt is damaged.	Replace the belt. Refer to Replacing the Belt and Pulley, page 18.
The snowblower leaves a thin layer of snow behind.	The scraper is worn.	Inspect the scraper for wear or damage. Replace the scraper. Refer to Replacing the Scraper Bar, page 17.

## **WARRANTY**

### **Product Warranty**

Please keep your original purchase receipt in a safe place as proof of purchase.

Warranty coverage for this product must be verified by the original purchase receipt.

The warranty period begins on the day that the product was purchased from an authorized retailer of Yard Force products. Warranty coverage only applies to the original purchaser and is not transferrable.

Warranty coverage is only provided on products purchased from authorized Yard Force retailers.

Warranty only applies to products purchased and OPERATED in the USA. Any product purchased or operated outside of the USA is not covered by any warranty.

### **(1) Five-Year Warranty on Yard Force Outdoor Power Equipment and Three- Year Warranty on 60vRX Battery Pack and Charger**

The Yard Force Outdoor Power Equipment has a 5-Year Limited Warranty and 60vRX Battery Pack and Charger has a 3-Year Limited Warranty from the date of purchase against manufacturer defects for residential use only. Commercial use voids the warranty. This warranty does not cover accidental damage, unreasonable use, normal wear and tear, neglect or non-compliance with the Operating, Safety and Maintenance Instructions. All service, outside of normal maintenance as described in this manual, must be done by an authorized service technician. Any unauthorized service or changes to the original configuration of this product will void the warranty. All parts and accessories used on and with this product must be manufactured and/or authorized by Merotec Inc.

### **(2) Ninety-Day Warranty – Accessories**

The accessories included with the snowblower including auger, rubber plate, shave plate and belt , and other similar parts are warranted against manufacturer defects for residential use only for a period of 90 days from date of purchase. Warranty does not cover loss of use or other consequential damages arising from any of the above, nor does it cover repairs made or attempted by unauthorized persons.

This warranty is void if the product is used for commercial, rental or industrial purposes.

Certain parts, attachments and accessories are subject to normal wear and tear and are excluded from the warranty.

### **Service and Warranty Claims Process**

Contact the Yard Force Support Center toll-free at **(866) 902-9690 Monday-Friday between 8:30 AM and 5:00 PM Eastern Time** for service and warranty support.

Yard Force Service Support agents can help you troubleshoot problems over the phone to get you back up and running as quickly as possible. In the situation where service or warranty inspection is needed, please follow these steps:

1. Call Yard Force at **(866) 902-9690 Monday-Friday between 8:30 AM and 5:00 PM Eastern Time**.
2. Send in proof-of-purchase and serial number (if applicable) to confirm warranty Coverage as directed by Yard Force.
3. If service or a warranty evaluation is requested, Yard Force will provide an RGA number that should be used in all communications with Yard Force and is required to be indicated on the product itself and on the outside of the box.
4. All shipments to Yard Force must have an RGA number. Any shipment received that does not have an RGA number clearly marked on the outside of the box will be refused.
5. All shipments must be sent pre-paid, Yard Force does not pay for any shipping costs for service or warranty evaluation. Yard Force is not responsible for any packages that are lost by carrier. We recommend that shipments are made by a carrier that provides tracking and delivery confirmation.

For more information or to ask questions, please call toll-free **(866) 902-9690 Monday-Friday between 8:30 AM and 5:00 PM Eastern Time**.

**SAVE THESE INSTRUCTIONS**



## Need Help?

Please do not return the product to your place of purchase yet. We're here to help and take care of all your needs.

### Contact our customer service department for help with:

- Product assembly or use
- Missing or damaged parts
- Troubleshooting
- Replacement parts and accessories

You can submit a support request by scanning the QR code on this page, or by visiting:  
[www.YardForceUSA.com/contact-support](http://www.YardForceUSA.com/contact-support)

Scan Code to connect with Yard Force Support



**1-866-902-9690**



**[www.YardForceUSA.com](http://www.YardForceUSA.com)**

**Register your product today to maintain warranty coverage and stay up to date with information on the use, care, maintenance and service of your product.**

**Register online today at:**

**[www.yardforceusa.com/product-registration](http://www.yardforceusa.com/product-registration)**



Merotec Inc.  
3655 Kennesaw North Industrial Parkway  
Kennesaw, GA 30144  
Copyright © 2021 Merotec Inc.

Made in China at a SUMEC manufacturing facility.

Part Number: YF60VRX22-STMAN-A  
2110